

Shenzhen Deweima Communication Equipment CO.,Ltd

Antenna test report

Project information

1

Custom: SwellPro Technology Co., Ltd

2

Project: FD2 remote control end

3

Frequency Band: 2400MHz~2500MHz

4

Antenna model: D424-0009-3

Testing instruments and equipment



A 24-probe microwave chamber



R&S CMW500



Agilent E5515c



Agilent Technologies E5071B

Vswr/Loss/Smith

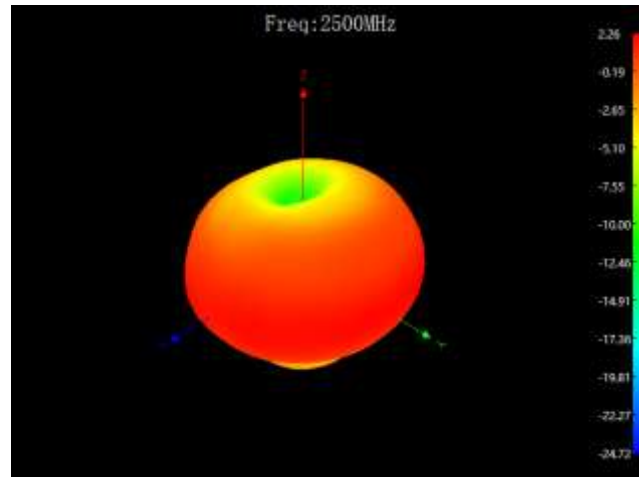
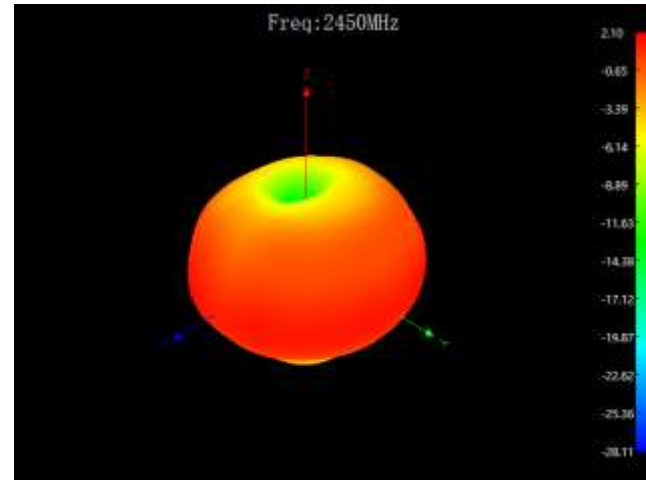
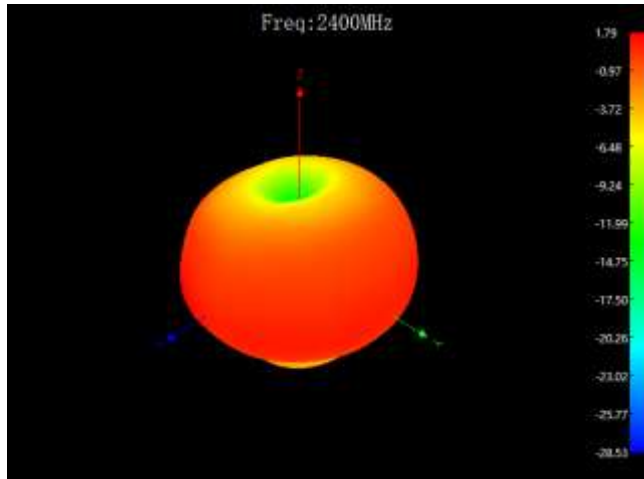


MILIO LITE ZOOM
AI QUAD CAMERA

Efficiency/Gain

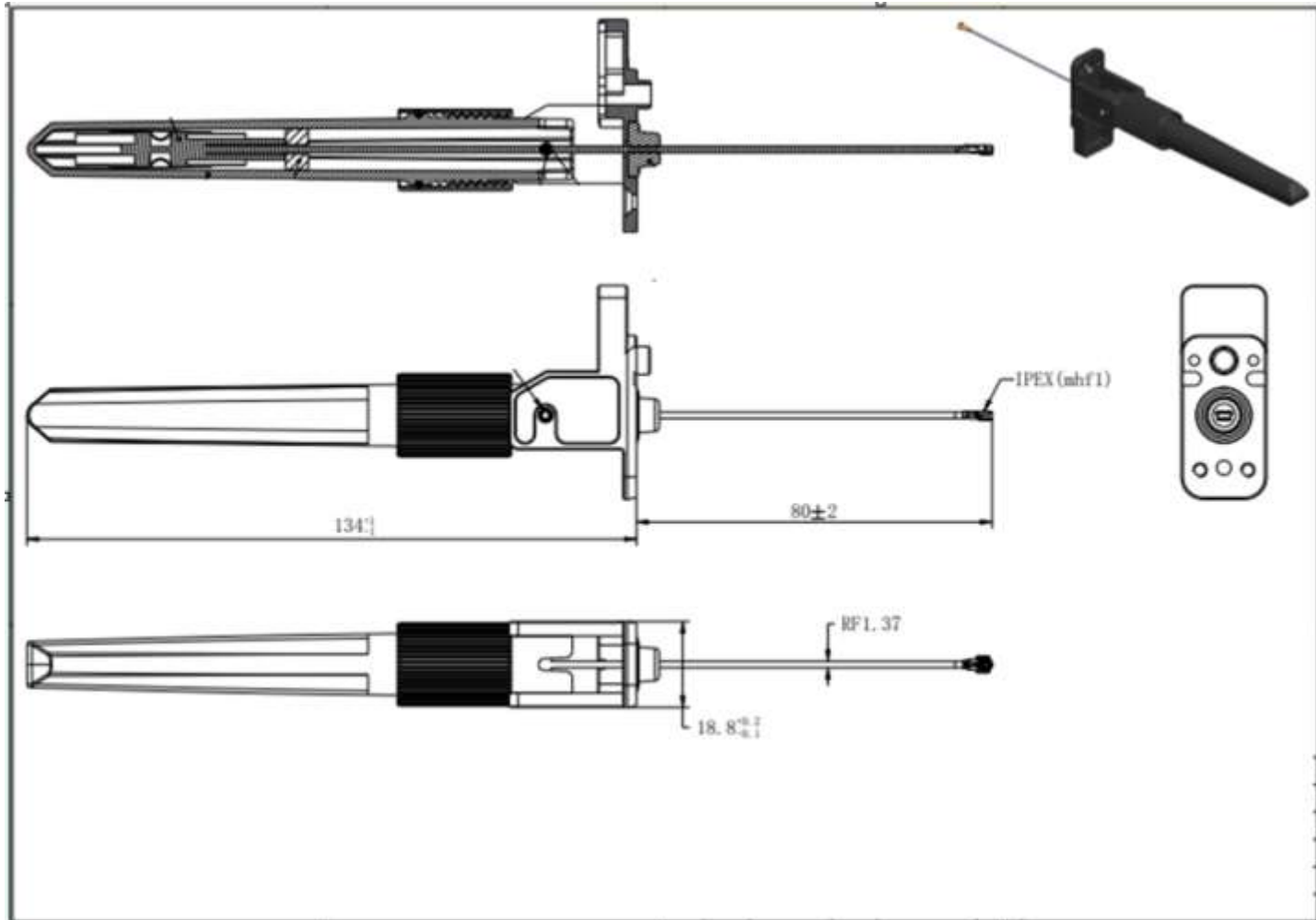
Frequency/MHz	Efficiency / dB	Efficiency / %	MaxGain/dBi
2400	-1.03	63.89	1.79
2410	-1.07	64.72	1.92
2420	-0.83	68.6	2.12
2430	-0.78	63.56	1.89
2440	-0.82	62.79	1.81
2450	-0.63	66.5	2.1
2460	-0.55	68.1	2.24
2470	-0.59	67.3	2.06
2480	-0.38	71.62	2.09
2490	-0.23	74.84	2.12
2500	-0.36	72.04	2.26

3D Drawing





Antenna Size(mm)





Thank You !

manufacturer: Shenzhen Deweima Communication Equipment CO.,Ltd

Address: Floor 3, 1# youyi Building , Chuangye Road 2, Part
23, Baoan, Shenzhen, China