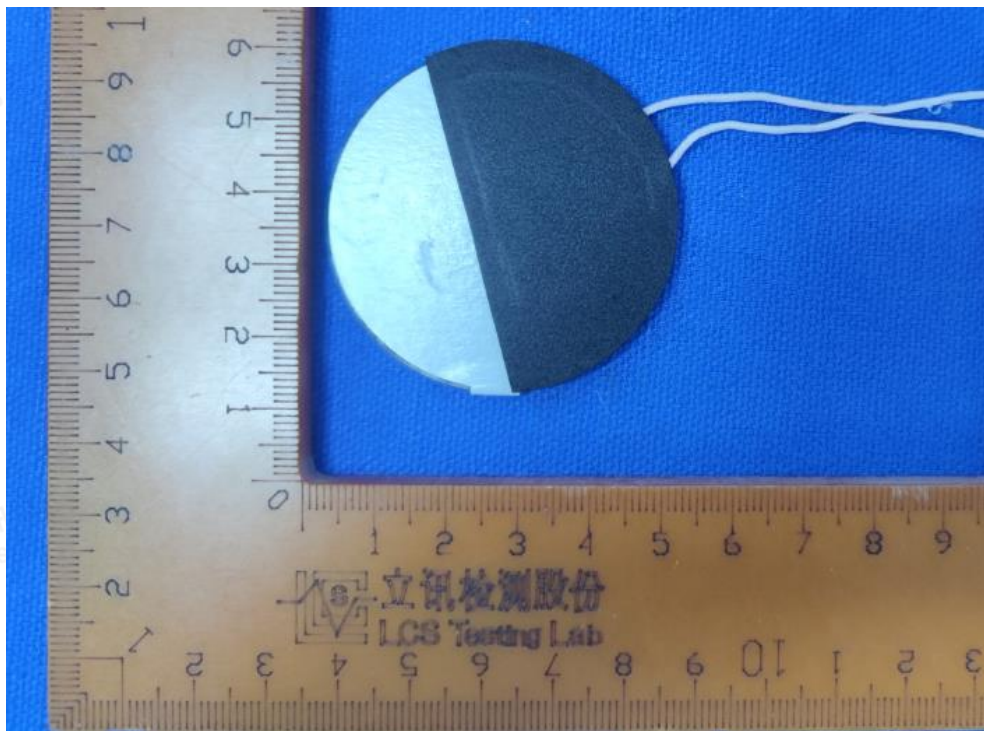
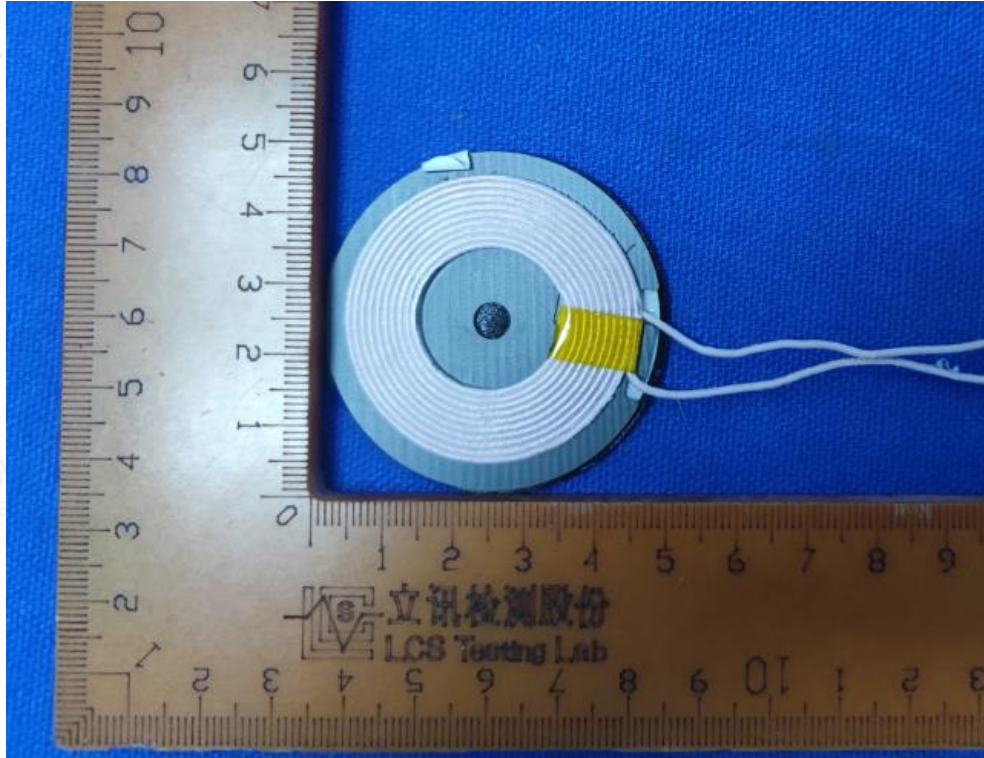




Shenzhen Feihe Electronics Co., Ltd



Shenzhen LCS Compliance Testing Laboratory Ltd.
Add: 101, 201 Bldg A & 301 Bldg C, Juji Industrial Park Yabianxueziwei, Shajing Street, Baoan District, Shenzhen, 518000, China
Tel: +(86) 0755-82591330 | E-mail: webmaster@lcs-cert.com | Web: www.lcs-cert.com
Scan code to check authenticity

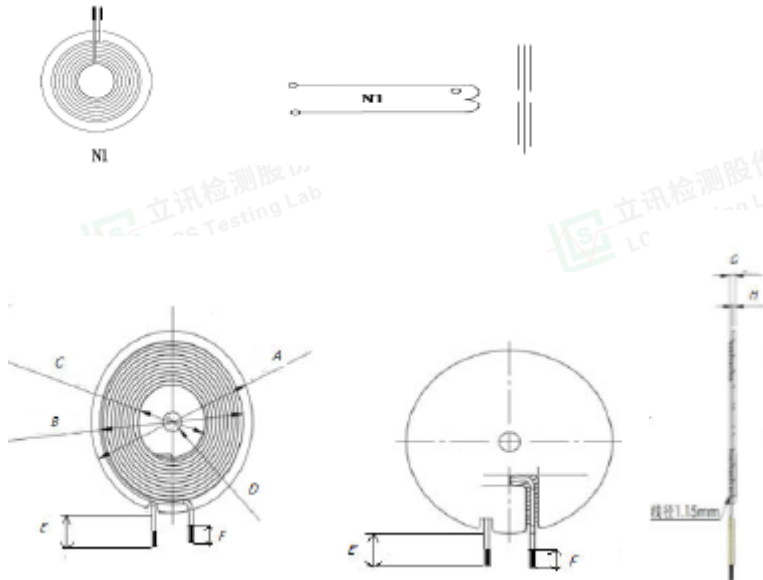


Shenzhen Feihe Electronics Co., Ltd

supplier address: 3rd Floor, Building A4, Huilongxing Industrial Park, Xinzhuang Community, Matian Street, Guangming District, Shenzhen

Supplier company name: Shenzhen Ruitong Qianye Technology Co., Ltd.

supplier name: Wireless charging and transmitting coil



A	B	C	D	E	F	G	
49.5±1	42.5±0.1	20.5±0.5	5.3±0.5	230±2	3±1	2±1	

