

SPECIFICATION

SHEET FOR APPROVAL

(Revision: R: A1)

	CUSTOMER	Morefun
	CS P/N	MF960B30 Z400
	PART NAME	3in1
	FREQUENCY	1575MHz, 2400-2500MHz, 5150-5850MHz。
	ZTX NO.	F.00000734
	DATE	2024-11-5

Remark:

Sign(Customer confirms signature and seal): _____

ZHONG TIAN XUN TECHNOLOGY CO., LTD		
ME CHECKED	RF CHECKED	APPROVAL
Hu xiaoliang	Lin quan	Wang erdong

Address: No. 34 Shilong Avenue, Shiyan Street, Baoan District, Shenzhen (former Tengda Industrial Park) Zip code: 518000
Fuzhou Address: Unit SC02, 2nd Floor, Building 45, Zhouyuan, Jinshan Industrial Zone, Gangshan District, Fuzhou City, Fujian Province Zip Code: 350000
Tel: 0591-83582969 Fax: 0591-83583660 <http://www.chinaztx.com>

ANTENNA SPECIFICATION

CUS P/N : MF960B30 Z400 3in1

ApplicationDate:Oct,29,2024

Rev: R:A1

ZTX P/N : MF960B30 Z400 3in1

Editor:

Page 2 of 14

Revision history

Rev	Date	status
A1	2024-10-29	First edition.

ANTENNA SPECIFICATION

CUS P/N : MF960B30 Z400 3in1

ApplicationDate:Oct,29,2024

Rev: R:A1

ZTX P/N : MF960B30 Z400 3in1

Editor:

Page 3 of 14

Index

	<i>Revision history</i>	
1.	<i>Test equipment</i>	4
2.	<i>Antenna test data</i>	5~12
	2-1 <i>VSWR</i>	5
	2-2 <i>Antenna passive test</i>	6~8
	2-3 <i>3D radiation drawing</i>	9
	2-4 <i>Active test data</i>	10
	2-5 <i>Matching circuit</i>	11
	2-6 <i>Environment treatment</i>	12
3.	<i>Mechanical Specification</i>	13
4.	<i>The packing way</i>	14

ANTENNA SPECIFICATION

CUS P/N : MF960B30 Z400 3in1

ApplicationDate:Oct,29,2024

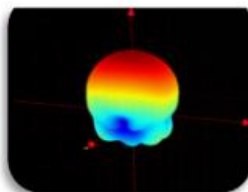
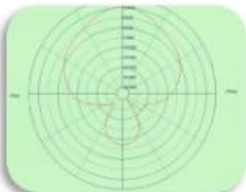
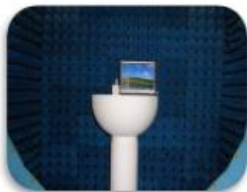
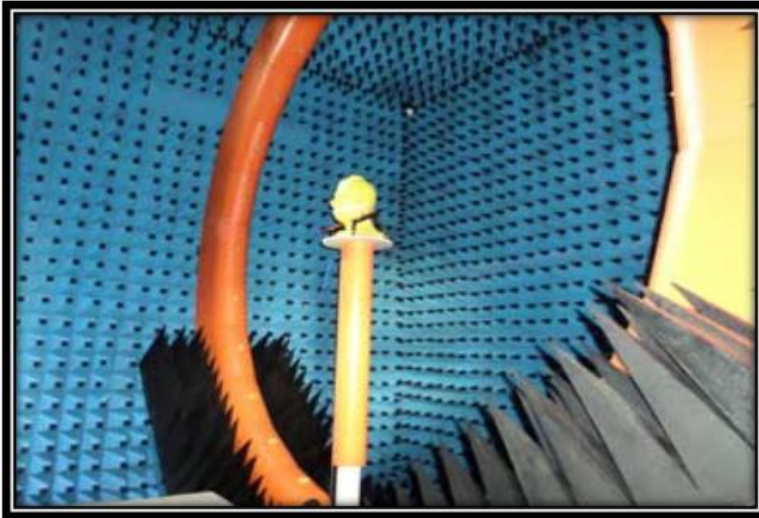
Rev: R:A1

ZTX P/N : MF960B30 Z400 3in1

Editor:

Page 4 of 14

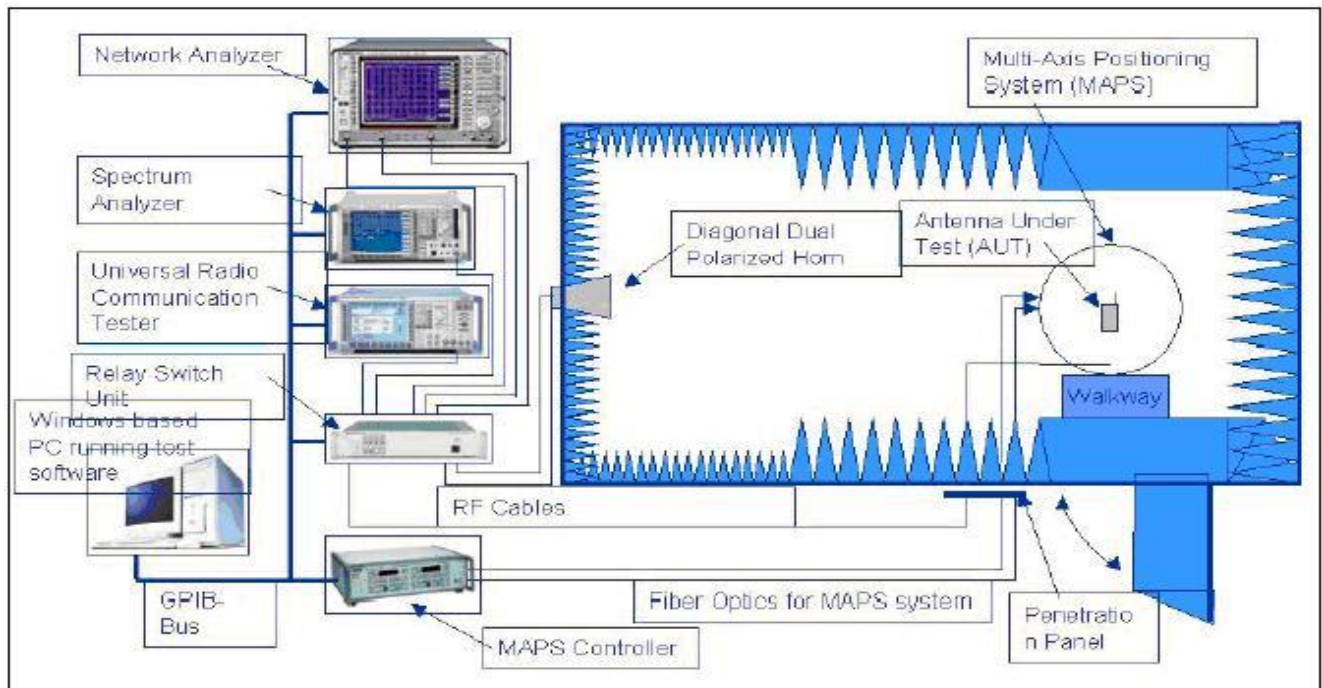
1. Test equipment



Owned 6 microwave dark room, equipped 2 sets world leading France Satimo SG24 OTA certification test systems (one in SHENZHEN, another one in Shanghai), ETS OTA Standard test system, Blue test reverberation test system which is High repeatability, high accuracy and high resolution. It can quickly provide accurate test reports, fully meet the CITA standards.

Testing range:

Support active, passive testing of GSM/CDMA/WCDMA/TD-SCDMA/LTE/WIFI/WLAN/WiMax/BT/GPS/MIMO/UWB within 0.4-6G.



ANTENNA SPECIFICATION

CUS P/N : MF960B30 Z400 3in1

ApplicationDate:Oct,29,2024

Rev: R:A1

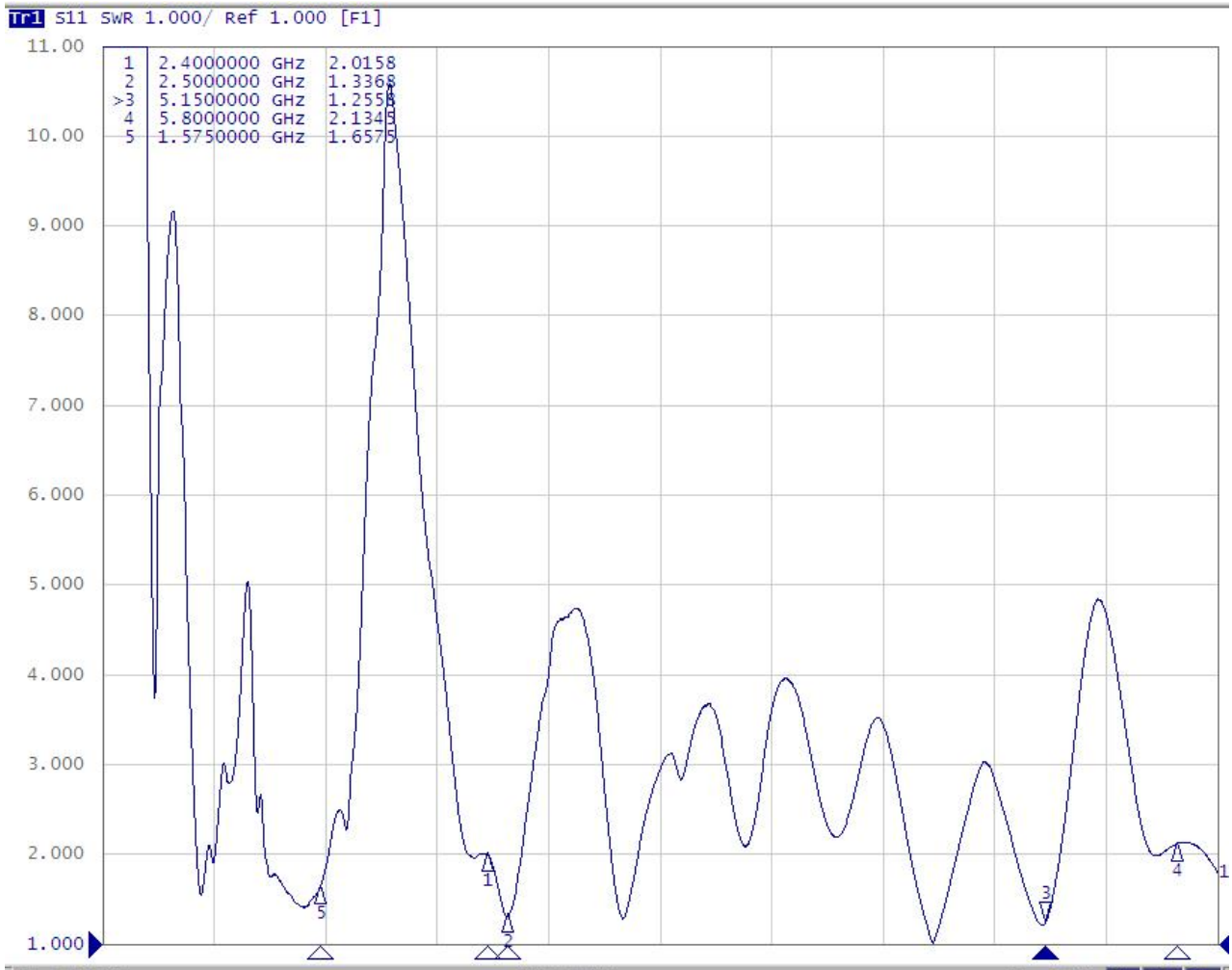
ZTX P/N : MF960B30 Z400 3in1

Editor:

Page 5 of 14

2. Antenna test data

2-1 VSWR



ANTENNA SPECIFICATION

CUS P/N : MF960B30 Z400 3in1

ApplicationDate:Oct,29,2024

Rev: R:A1

ZTX P/N : MF960B30 Z400 3in1

Editor:

Page 6 of 14

2-2 Antenna passive test

chNo	Freq	Gain	Efficiency_Pcent
1	1550	-5.14692	17.67225
2	1555	-4.80653	18.2851
3	1560	-4.92995	20.31058
4	1565	-5.16898	17.98423
5	1570	-5.29535	18.08723
6	1575	-5.44924	20.27785
7	1580	-5.80008	17.75491
8	1585	-6.13203	16.75574
9	1590	-6.16142	16.32194
10	1595	-5.9282	16.75355
11	1600	-5.71428	18.13424
12	1605	-5.66008	17.97911
13	1610	-5.82597	17.96579
14	1615	-5.91586	18.13134
15	1620	-5.65125	18.55614
16	2400	-0.45781	34.41088

ANTENNA SPECIFICATION

CUS P/N : MF960B30 Z400 3in1

ApplicationDate:Oct,29,2024

Rev: R:A1

ZTX P/N : MF960B30 Z400 3in1

Editor:

Page 7 of 14

17	2410	-0.37873	35.19371
18	2420	-0.3287	36.27704
19	2430	-0.15197	37.59169
20	2440	-0.03631	38.09403
21	2450	0.271296	38.72886
22	2460	0.276927	39.97362
23	2470	0.805145	42.39823
24	2480	1.173395	42.00389
25	2490	1.077551	37.95507
26	2500	1.023368	34.56522
27	5150	0.550237	36.4719
28	5200	0.701749	37.51767
29	5250	-0.53471	31.40217
30	5300	-0.01743	32.15732
31	5350	0.20069	26.6217
32	5400	0.887045	29.43616
33	5450	0.220657	28.63437
34	5500	0.879328	33.23497

ANTENNA SPECIFICATION

CUS P/N : MF960B30 Z400 3in1

ApplicationDate:Oct,29,2024

Rev: R:A1

ZTX P/N : MF960B30 Z400 3in1

Editor:

Page 8 of 14

35	5550	2.25018	36.42671
36	5600	3.548016	39.01302
37	5650	5.712897	42.59526
38	5700	7.100379	40.30383
39	5750	5.829452	43.50125
40	5800	6.635241	38.60826
41	5850	6.532942	37.83179

ANTENNA SPECIFICATION

CUS P/N : MF960B30 Z400 3in1

ApplicationDate:Oct,29,2024

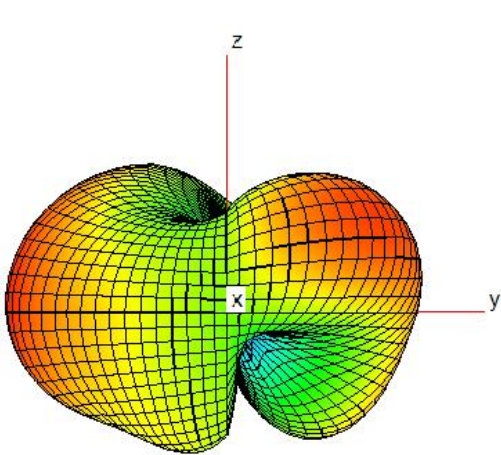
Rev: R:A1

ZTX P/N : MF960B30 Z400 3in1

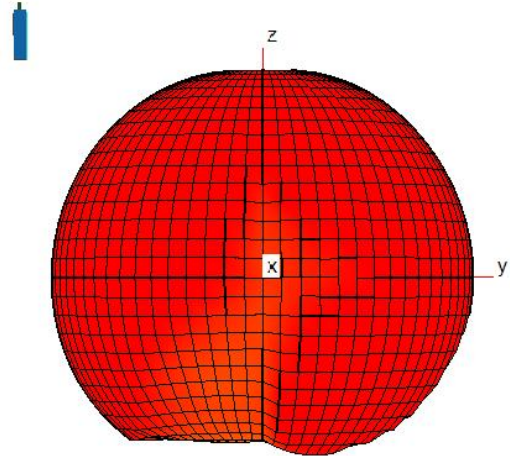
Editor:

Page 9 of 14

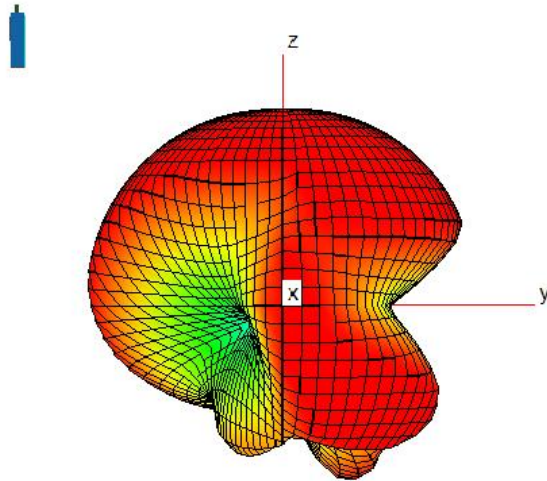
2-3 3D radiation drawing



1585MHz



2450MHz



5500MHz

ANTENNA SPECIFICATION

CUS P/N : MF960B30 Z400 3in1

ApplicationDate:Oct,29,2024

Rev: R:A1

ZTX P/N : MF960B30 Z400 3in1

Editor:

Page 10 of 14

2-4 Active test data

2.4G 802.11b	channel	1	7	13
	TRP	14.58	15.06	14.77
	TIS	-84.77	-84.86	-84.87
5G 802.11a	channel	36	64	157
	TRP	9.31	5.17	5.47
	TIS	-71.13	-67.41	-66.40

ANTENNA SPECIFICATION

CUS P/N : MF960B30 Z400 3in1

ApplicationDate:Oct,29,2024

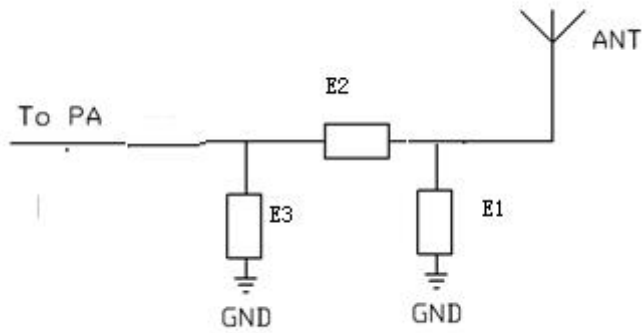
Rev: R:A1

ZTX P/N : MF960B30 Z400 3in1

Editor:

Page 11 of 14

2-5 Matching circuit



Matching structure	
E1	NC
E2	0Ω
E3	NC

ANTENNA SPECIFICATION

CUS P/N : MF960B30 Z400 3in1

ApplicationDate:Oct,29,2024

Rev: R:A1

ZTX P/N : MF960B30 Z400 3in1

Editor:

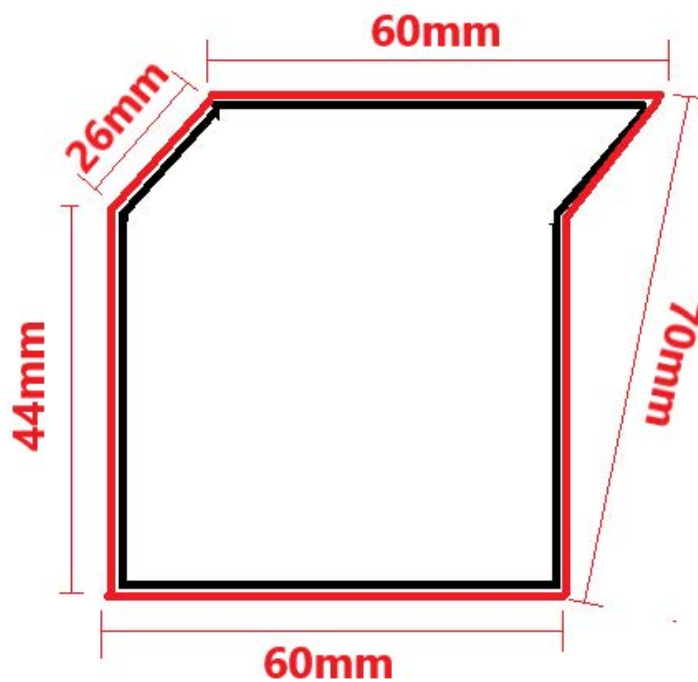
Page 12 of 14

2-6 Environment treatment

See WLAN Antenna Spec Annex 1---2-6 Environment treatment Photo

NFC Antenna information :

The total length of the NFC antenna coil is 260mm.



ANTENNA SPECIFICATION

CUS P/N : MF960B30 Z400 3in1

ApplicationDate:Oct,29,2024

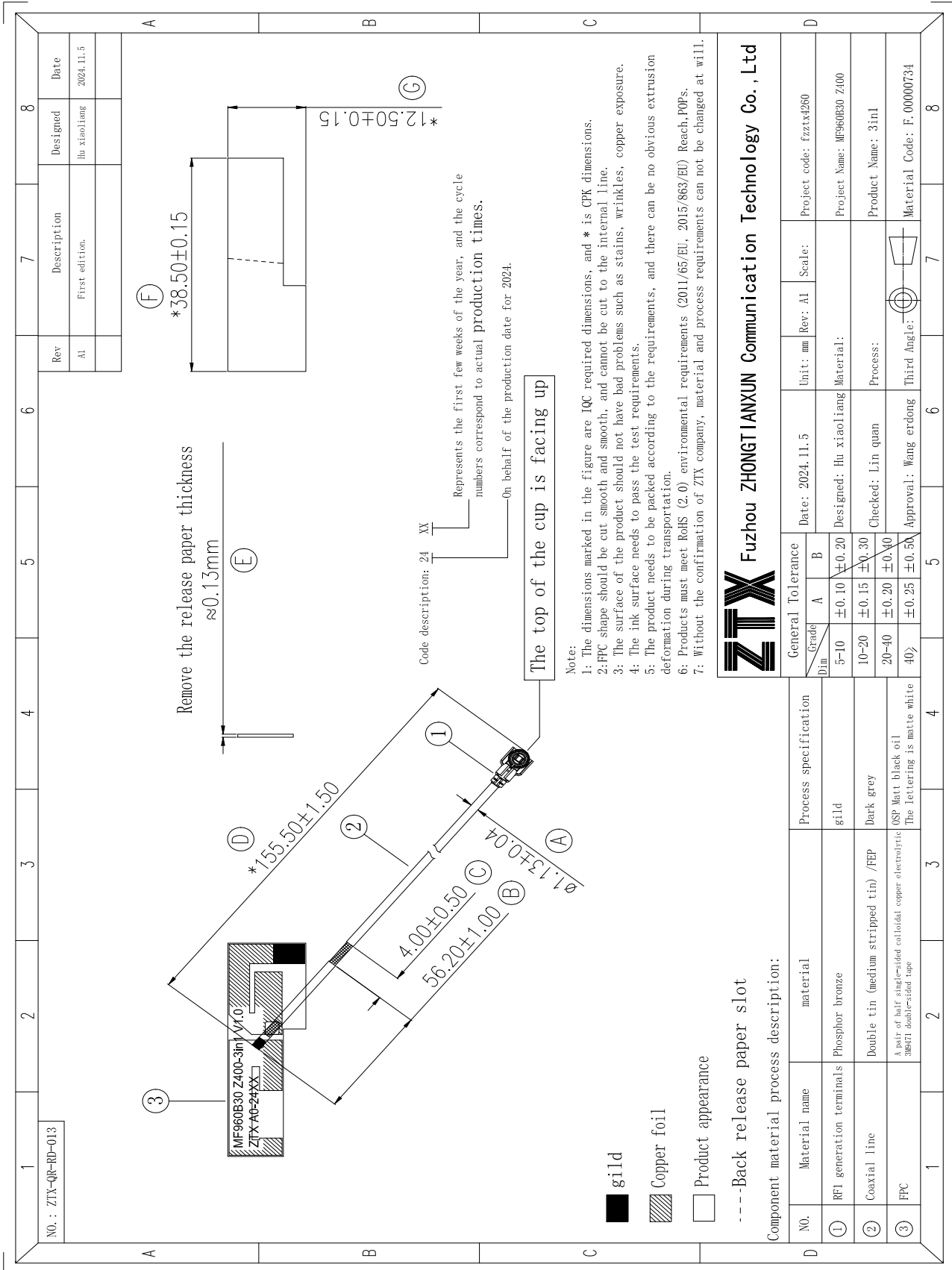
Rev: R:A1

ZTX P/N : MF960B30 Z400 3in1

Editor:

Page 13 of 14

3. Mechanical Specification



ZTX Fuzhou ZHONGTIANXUN Communication Technology Co., Ltd

