

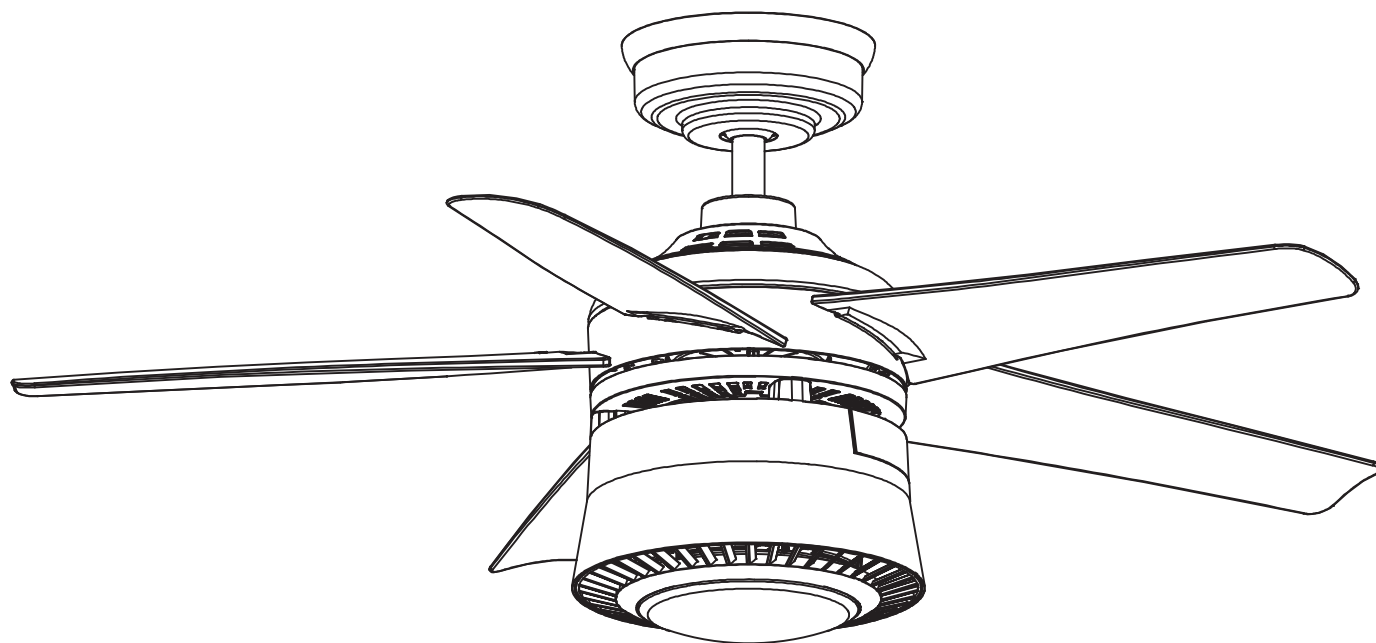
Item #TBD

Model #FC120-CARL
UL Model #TBD



USE AND CARE GUIDE

48 IN LED INDOOR AIR FILTERING CEILING FAN



Questions, problems, missing parts? Before returning to the store,
call Hampton Bay Customer Service
8 a.m. - 7 p.m., EST, Monday-Friday, 9 a.m. - 6 p.m., EST, Saturday

1-855-HD-HAMPTON

HAMPTONBAY.COM



To view an instructional video on how to install this product:

1. Go to ww.homedepot.com and enter either the Item or Model number, found in the top right corner of the cover of this instruction manual, in the search field.
2. Click on your product from the list of search results and click on the video link in the "Product Over" view section.

THANK YOU

We appreciate the trust and confidence you have placed in Hampton Bay through the purchase of this ceiling fan. We strive to continually create quality products designed to enhance your home. Visit us online to see our full line of products available for your home improvement needs.

Thank you for choosing Hampton Bay!

Table of Contents

Table of Contents	2	Assembly.....	7
Safety Information	2	Operation	15
Warranty	3	Care and Cleaning	17
Pre-Installation	3	Troubleshooting.....	18
Installation.....	6		

Safety Information

READ AND SAVE THESE INSTRUCTIONS

1. To reduce the risk of electric shock, ensure the electricity has been turned off at the circuit breaker or fuse box before you begin.
2. All wiring must be in accordance with the National Electrical Code ANSI/NFPA 70 and local electrical codes. Electrical installation should be performed by a qualified licensed electrician.
3. The outlet box and support structure must be securely mounted and capable of reliably supporting 35 lbs. (15.9 kg). Use only UL Listed outlet boxes marked "Acceptable for Fan Support of 35 lbs. (15.9 kg) or less."
4. The fan must be mounted with a minimum of 7 ft. (2.1 m) clearance from the trailing edge of the blades to the floor.
5. Do not operate the reversing switch while the fan blades are in motion. You must turn the fan off and stop the blades before you reverse the blade direction.
6. Do not place objects in the path of the blades.
7. To avoid personal injury or damage to the fan and other items, use caution when working around or cleaning the fan.
8. Electrical diagrams are for reference only. Light kits that are not packed with the fan must be UL-listed and marked suitable for use with the model fan you are installing. Switches must be UL General Use Switches. Refer to the instructions packaged with the light kits and switches for proper assembly.
9. After making electrical connections, spliced conductors should be turned upward and pushed carefully up into the outlet box. The wires should be spread apart with the grounded conductor and the equipment-grounding conductor on one side of the outlet box.
10. All setscrews must be checked and retightened where necessary before installation.



WARNING: To reduce the risk of personal injury, do not bend the blade brackets (also referred to as flanges) during assembly or after installation. Do not insert objects in the path of the blades.



WARNING: Remove the rubber motor stops on the bottom of the fan before installing the blades or testing the motor.



WARNING: To reduce the risk of fire or electric shock, do not use this fan with any solid-state speed control device.



WARNING: To avoid possible electrical shock, turn the electricity off at the main fuse box before wiring. If you feel you do not have enough electrical wiring knowledge or experience, contact a licensed electrician.



WARNING: Electrical diagrams are for reference only. Optional use of any light kit shall be UL-listed and marked suitable for use with this fan.



WARNING: To reduce the risk of fire, electric shock, or personal injury, mount to outlet box marked "Acceptable for fan support of 35 lbs. (15.9 kg) or less," and use the screws provided with the outlet box.

This equipment has been tested and found to comply with the limits for a Class B digital device, pursuant to Part 15 of the FCC Rules. These limits are designed to provide reasonable protection against harmful interference in a residential installation. This equipment generates, uses and can radiate radio frequency energy and, if not installed and used in accordance with the instructions, may cause harmful interference to radio communications. However, there is no guarantee that interference will not occur in a particular installation. If this equipment does cause harmful interference to radio or television reception, which can be determined by turning the equipment off and on, the user is encouraged to try to correct the interference by one or more of the following measures:

- Reorient or relocate the receiving antenna.
- Increase the separation between the equipment and receiver.
- Connect the equipment into an outlet on a circuit different from that to which the receiver is connected.
- Consult the dealer or an experienced radio/TV technician for help.

CAUTION:

Changes or modifications to this unit not expressly approved by the party responsible for compliance could void the user's authority to operate the equipment.

This device complies with Part 15 of the FCC Rules. Operation is subject to the following two conditions: (1) This device may not cause harmful interference, and (2) this device must accept any interference received, including interference that may cause undesired operation.

Warranty

The supplier warrants the fan motor to be free from defects in workmanship and material present at time of shipment from the factory for a life-time after the date of purchase by the original purchaser. The supplier also warrants that all other fan parts, excluding any glass or acrylic blades, to be free from defects in workmanship and material at the time of shipment from the factory for a period of one year after the date of purchase by the original purchaser. We agree to correct such defects without charge or at our option replace with a comparable or superior model if the product is returned. To obtain warranty service, you must present a copy of the receipt as proof of purchase. All costs of removing and reinstalling the product are your responsibility. Damage to any part, such as by accident, misuse, improper installation, or by affixing any accessories, is not covered by this warranty. Because of varying climatic conditions this warranty does not cover any changes in brass finish, including rusting, pitting, corroding, tarnishing, or peeling. Brass finishes of this type give their longest useful life when protected from varying weather conditions. A certain amount of "wobble" is normal and should not be considered a defect. Servicing performed by unauthorized persons shall render the warranty invalid. There is no other express warranty. Hampton Bay hereby disclaims any and all warranties, including but not limited to those of merchantability and fitness for a particular purpose to the extent permitted by law. The duration of any implied warranty which cannot be disclaimed is limited to the time period as specified in the express warranty. Some states do not allow a limitation on how long an implied warranty lasts, so the above limitation may not apply to you. The retailer shall not be liable for incidental, consequential, or special damages arising out of or in connection with product use or performance except as may otherwise be accorded by law. Some states do not allow the exclusion of incidental or consequential damages, so the above exclusion or limitation may not apply to you. This warranty gives specific legal rights, and you may also have other rights which vary from state to state. This warranty supersedes all prior warranties. Shipping costs for any return of product as part of a claim on the warranty must be paid by the customer.

Contact the Customer Service Team at 1-855-HD-HAMPTON or visit www.HamptonBay.com.

Pre-Installation

SPECIFICATIONS

Size	Speed	Volts	Amps	Watts	RPM	CFM	Net Weight	Gross Weight	Cube Feet
48 in.	Low	120	0.3	15	60	1768	11.5kg	13.5kg	26
	Medium		0.5	45	150	3789			
	High		0.6	65	180	5038			



NOTE: These are approximate measures. They do not include the amps and wattage used by the light kit.

TOOLS REQUIRED



Phillips screwdriver



Flat blade screwdriver



Adjustable wrench



Electrical tape



Wire cutter / stripper



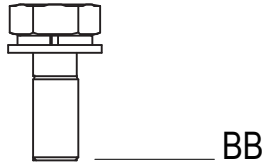
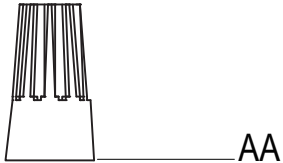
Step ladder

Pre-Installation (continued)

HARDWARE INCLUDED



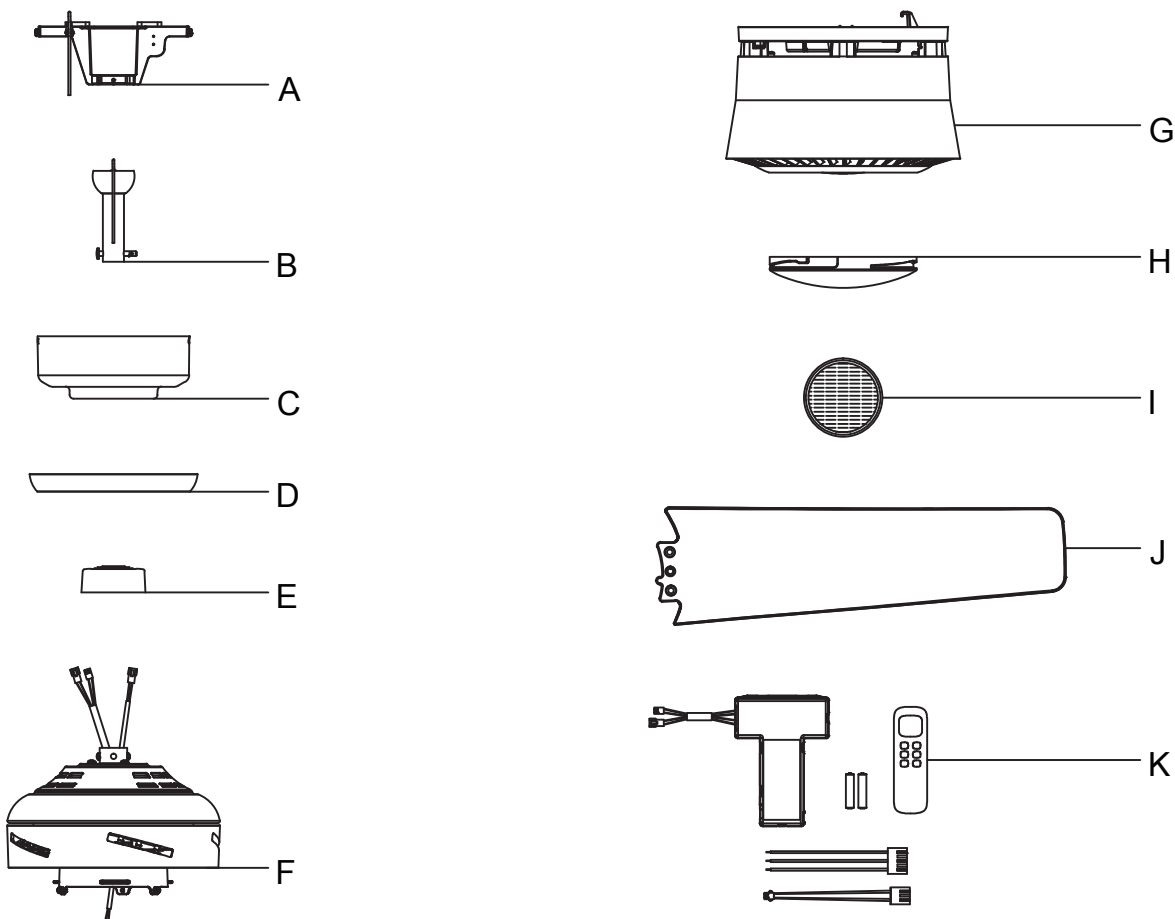
NOTE: Hardware not shown to actual size.



Part	Description	Quantity
AA	Wiring cap	6
BB	Screw	1

Pre-Installation (continued)

PACKAGE CONTENTS



Part	Description	Quantity
A	Mounting bracket	1
B	Hanger rod assembly	1
C	Canopy	1
D	Canopy cover	1
E	Lower canopy assembly	1
F	Fan-motor assembly	1
G	Purification assembly	1
H	Lampshade	1
I	Filter screen	1
J	Blade	5
K	Controller assembly includes 1 receiver, 1 remote control, 2 batteries and 2 wires	1



IMPORTANT: This product and/or components are governed by one or more of the following U.S. Patents: 5,947,436; 5,988,580; 6,010,110; 6,046,416, 6,210,117 and other patents pending.

Installation

MOUNTING OPTIONS

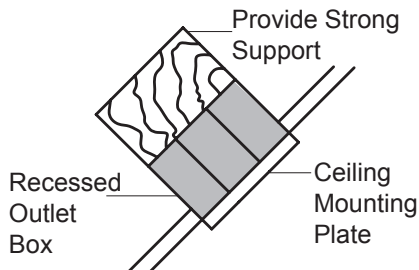
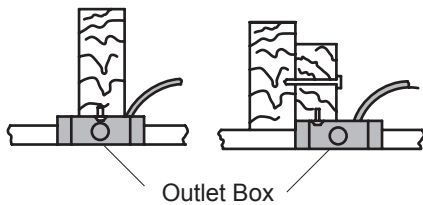
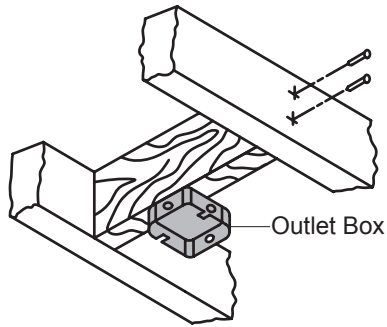


WARNING: To reduce the risk of fire, electric shock or personal injury, mount to an outlet box marked "Acceptable for fan support of 35 lbs. (15.9 kg) or less," and use the screws provided with the outlet box. An outlet box commonly used for the support of lighting fixtures may not be acceptable for fan support and may need to be replaced. If in doubt, consult a qualified electrician.

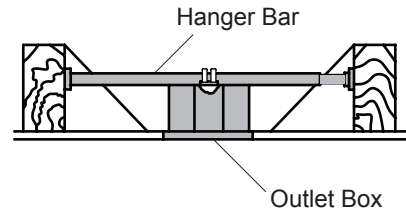
If your ceiling fan does not have an existing UL-listed mounting box, then install one using the following instructions:

- Disconnect the power by removing the fuses or turning off the circuit breakers.
- Secure the outlet box directly to the building structure. Use the appropriate fasteners and materials. The outlet box and its bracing must be able to fully support the weight of the moving fan (at least 35 lbs.). Do not use a plastic outlet box.

The illustrations below show three different ways to mount the outlet box.



NOTE: You may need a longer downrod to maintain proper blade clearance when installing on a steep, sloped ceiling. The maximum angle allowable is 20° away from horizontal.



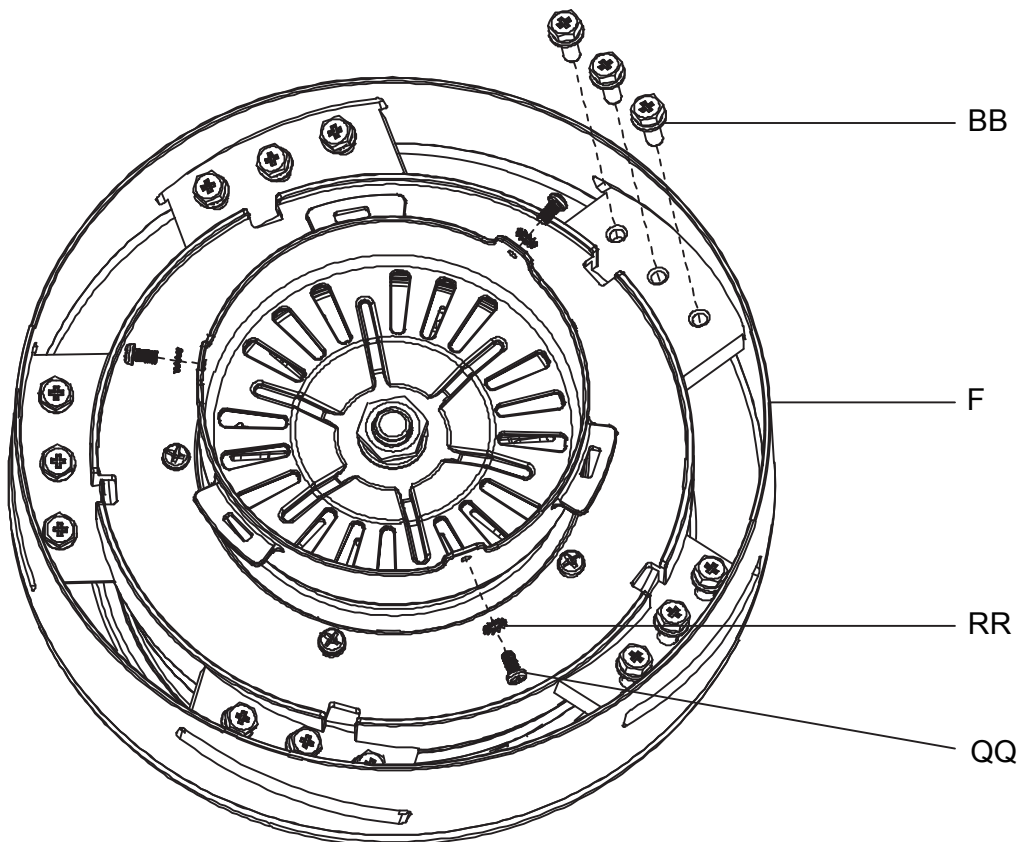
If the Canopy (C) touches the ball/downrod assembly (B), then remove the Canopy bottom cover (D) and turn the Canopy (C) 180° before attaching the Canopy (C) to the mounting plate.

To hang your fan where there is an existing fixture but no ceiling joist, you may need an installation hanger bar as shown above (available at any Home Depot store).

Assembly - Standard Ceiling Mount

1 Preparation for assembly

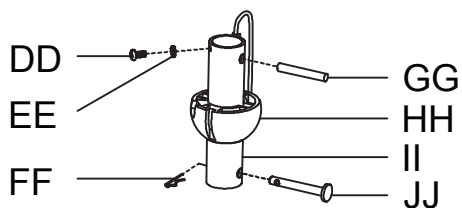
- Remove the 15 preassembled screws (BB), 3 preassembled outer tooth washers (RR) and preassembled screws (QQ) from the motor housing (F) and place them in a safe secure place. Do not discard.



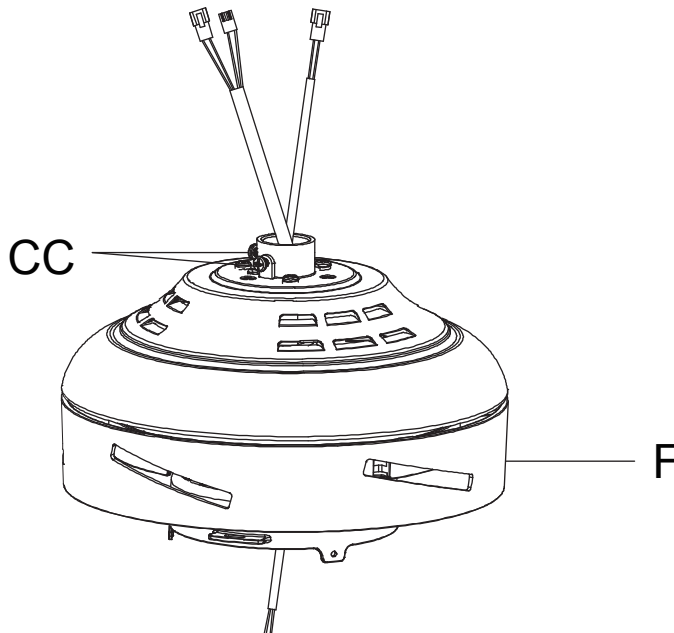
Assembly - Standard Ceiling Mount

2 Install the hanger rod assembly

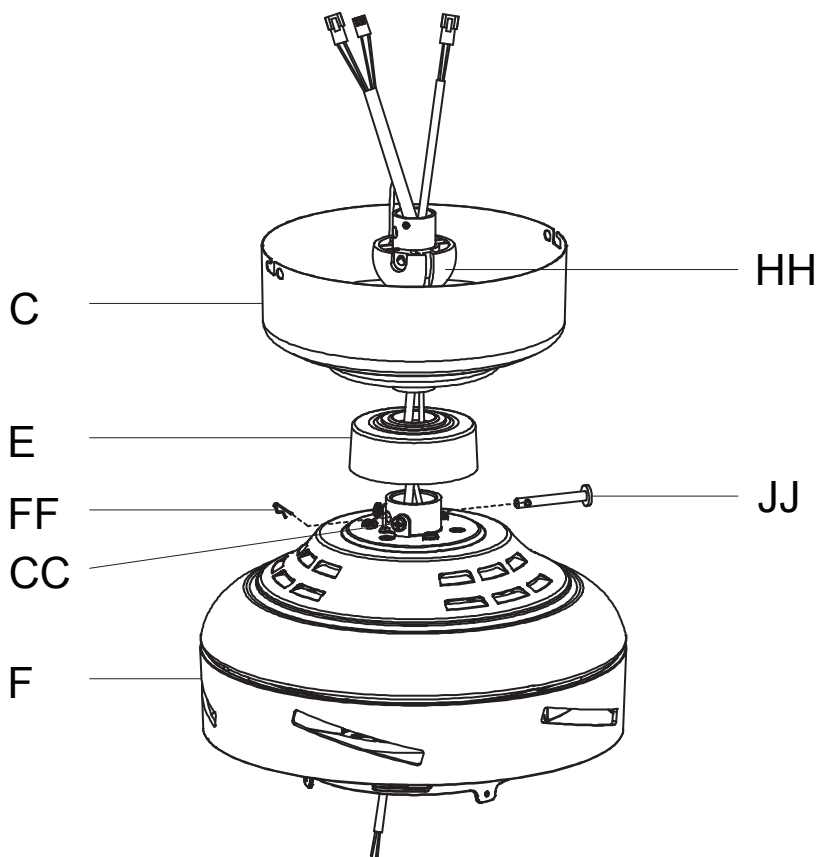
- Loosen the two screws (CC) on the motor assembly (F). Disassemble the parts on the hanger rod assembly (B) R pin (FF), cross pin (JJ), screw (DD), external washer (EE), hanger ball (HH), and cross pin (GG).



Hanger rod assembly (B)

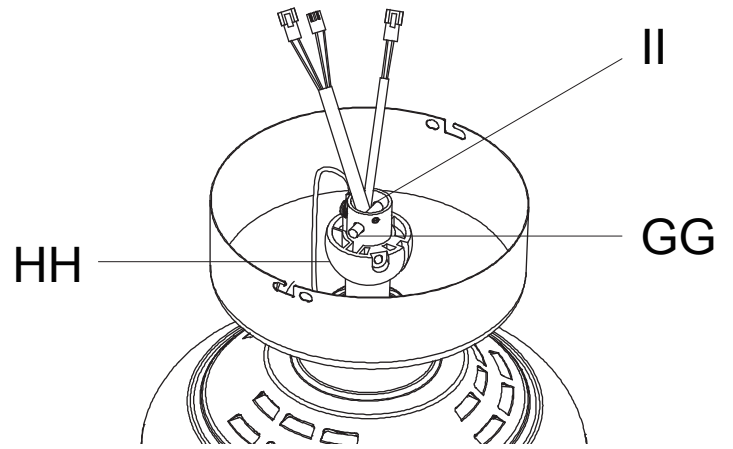


- Pass the wires on the motor assembly (F) through the lower canopy assembly (E), upper canopy (C), hanger ball (HH), and down rod (II).
- Use cross pin (JJ) and R pin (FF) to connect the down rod (II) to the motor assembly, and tighten the screw (CC) on the motor assembly to fix the down rod (B).

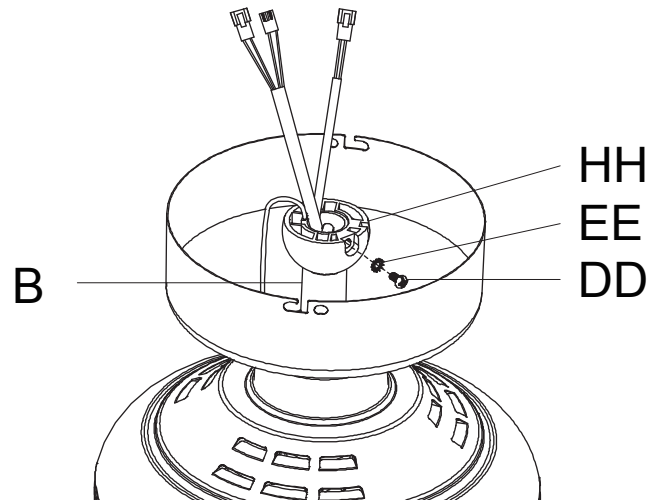


Assembly - Standard Ceiling Mount

- Pass the cross pin (GG) into the down rod (II), and adjust the position of the hanger ball (HH).



- Tighten the hanger ball (HH) on the hanger rod (B) with the screw (DD) and the external washer (EE).



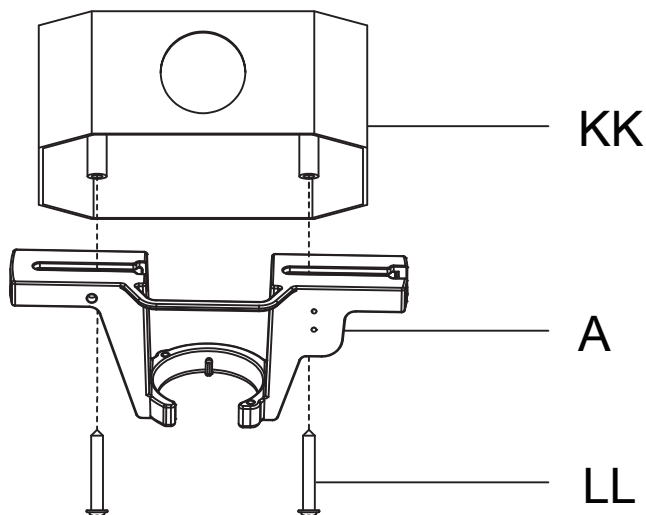
Assembly - Standard Ceiling Mount

3 Install the hanger bracket assembly

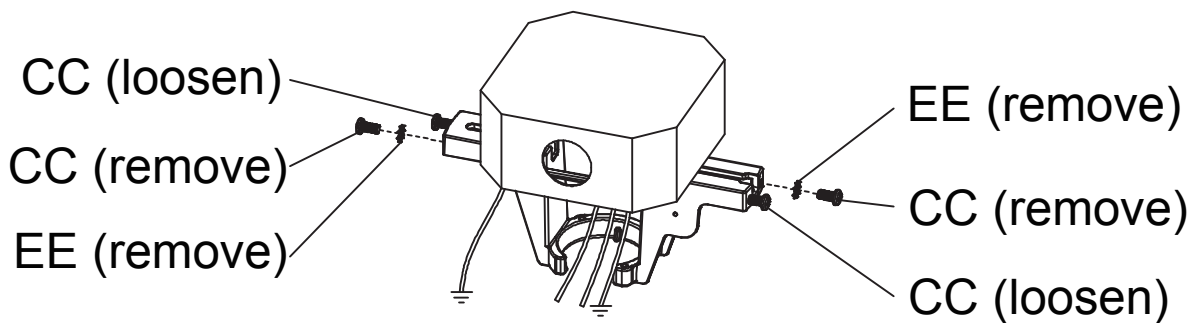


WARNING: To reduce the risk of fire, electric shock, or other personal injury, mount the fan to an outlet box or supporting system marked acceptable for fan support and use the mounting screws that come with the outlet box (not included).

- Put the mounting bracket (A) into the screw (LL) (not included) on the outlet box (KK) in the direction as shown in the figure, and then tighten the screw (LL).
- Pass the 120-Volt supply wires through the center hole in the mounting bracket (LL).
- Securely tighten the two mounting screws (A) (not included).



- Remove one screw (CC) and external washer (EE) on each side of the mounting bracket (A), and loosen the remaining screws (CC).



Assembly - Standard Ceiling Mount

4 Hang the motor assembly



NOTE: It is required to clamp the base of the hanger bracket assembly (A) into the groove of the hanger rod assembly (B).

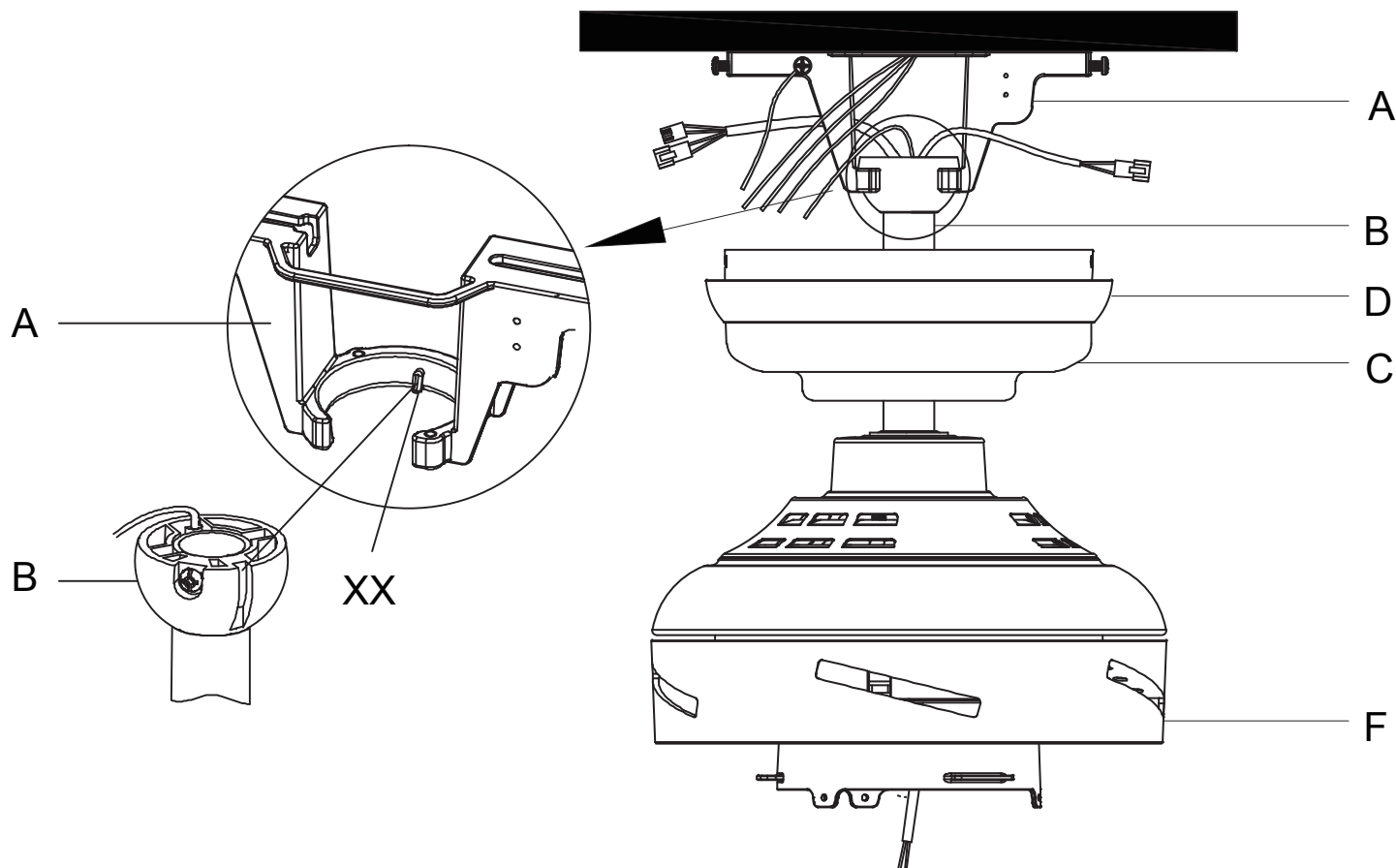


WARNING: The tab (XX) is only to balance the fan while it may result in the tab (XX) breaking, causing the fan to fall. The tab must pass from the inside to the outside of the canopy.



WARNING: When hanging the fan on the tab (XX) it is critical that you use one of the non-slotted (round) holes in the canopy (C).

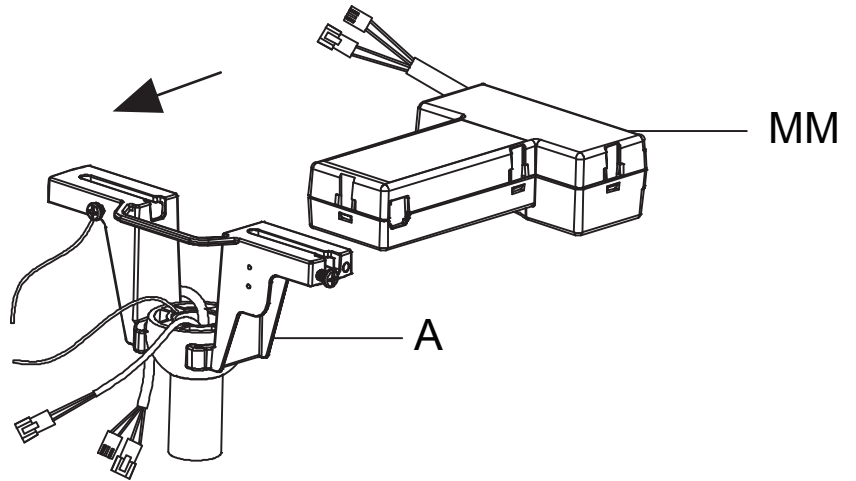
- Put the canopy decorative cover (D) into the canopy (C).
- Hang the motor assembly (F) on the mounting bracket assembly (A).



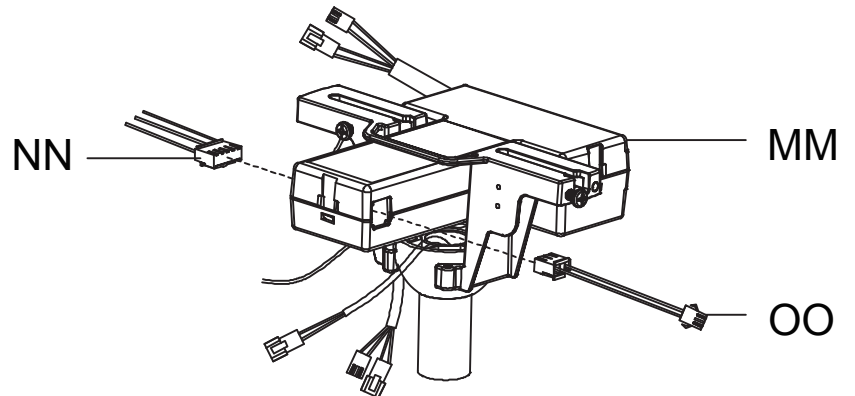
Assembly - Standard Ceiling Mount

5 Install the hanger bracket assembly

- Insert the receiver (MM) into the hanger bracket assembly (A).



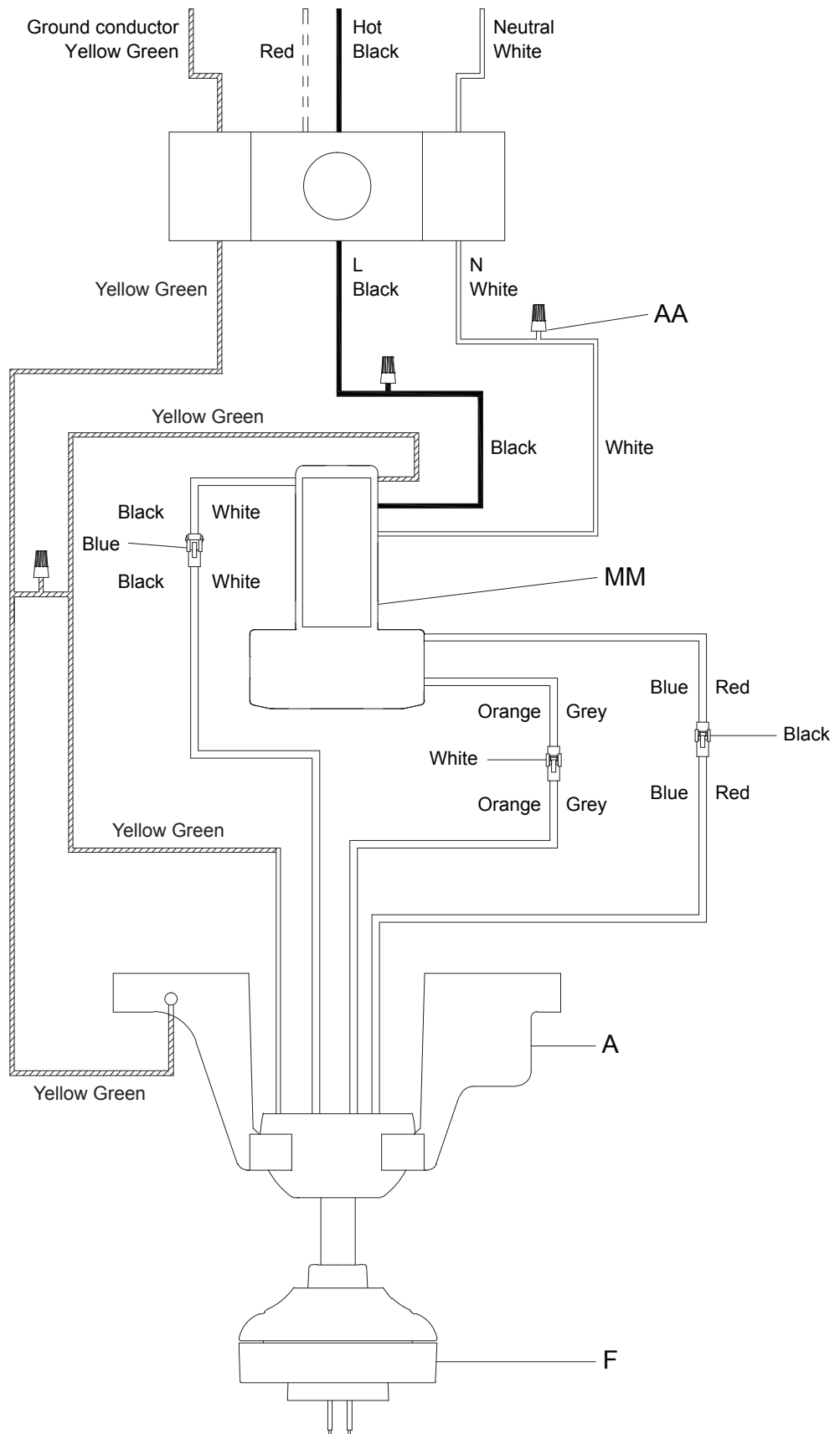
- Insert the wire harness (NN) and wire harness (OO) into the receiver (MM).



Assembly - Standard Ceiling Mount

6 Wiring the receiver

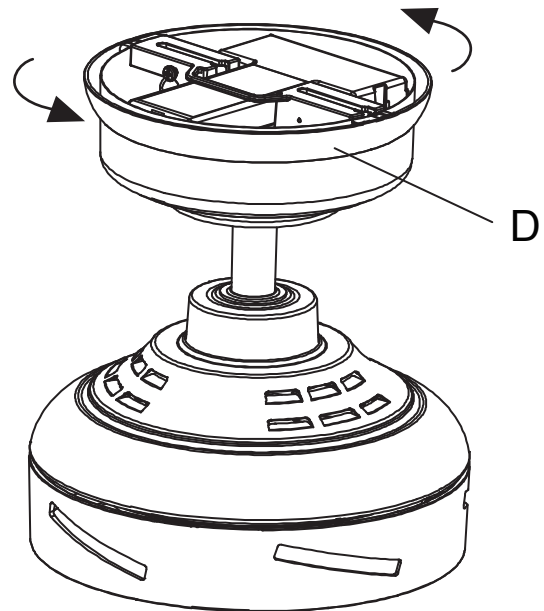
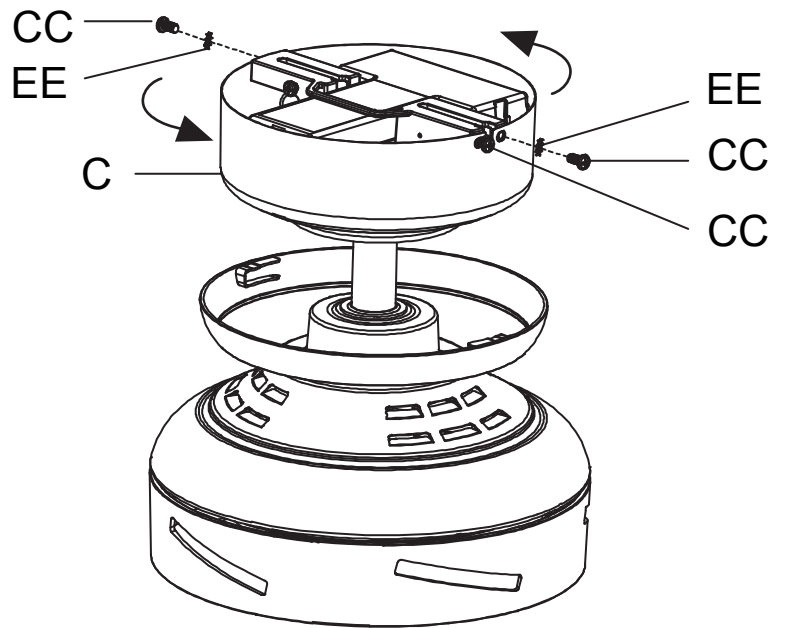
- Connect the receiver as shown in the wiring diagram.
- Follow the steps below to connect the fan to your house supply wires.
- Connections between the motor assembly and the receiver:
 - Butt slice the white terminal on the fan to the white terminal on the receiver with the Orange/Grey/White.
 - Butt slice the black terminal on the fan to the black terminal on the receiver.
 - Butt slice the terminal on the fan to the blue terminal on the receiver.
- The receiver is connected to your home's power cord.
 - Use the wiring cap (AA) to connect the black wire harness with the "L" logo on the receiver to your home's Hot.
 - Use the wiring cap (AA) to connect the white wiring harness with the "N" mark on the receiver to the Natural at home.
- If your outlet box has a GROUND wire (Green or Bare Copper), connect this wire to the Hanger Ball and Mounting Bracket and receiver Ground wires.
 - If your outlet box does not have a Ground Wire, then connect the Hanger Ball and Hanger Bracket and Receiver Ground Wires together.
- After all the splices are made, check to make sure there are no loose strands or wires.



Assembly - Standard Ceiling Mount

7 Install the canopy and the canopy cover

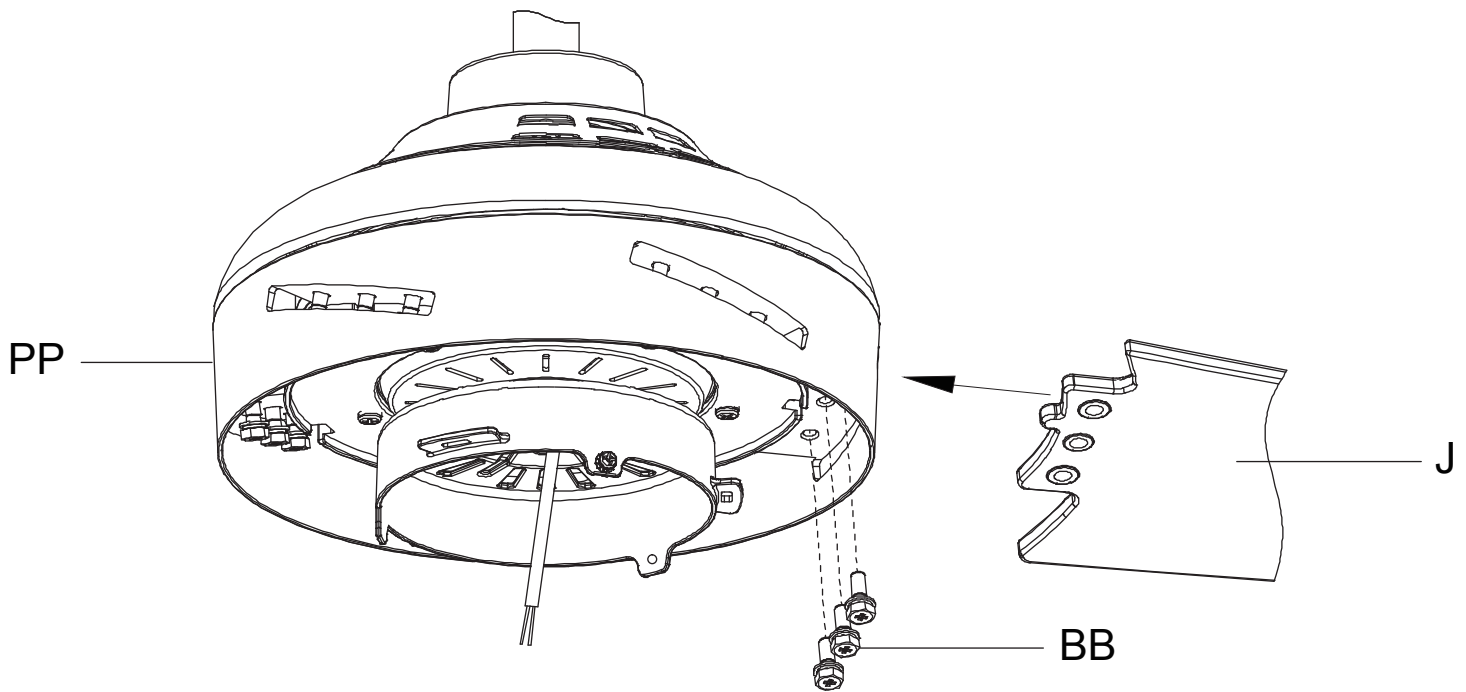
- Arrange the connected wiring harness and cover it with the canopy (C).
- Rotate the canopy (C) clockwise onto the screw heads (CC). Reinstall the previously-removed screws (CC) and washers (EE) in Step 2. Tighten all the screws (CC) to secure the canopy (C).
- Rotate the canopy cover (D) counterclockwise to attach it.



Assembly - Standard Ceiling Mount

8 Install the fan blades

- Insert the fan blade (J) into the installation groove of the middle ring (PP), and attach the fan blade (J) with the previously-removed screws (BB) in Step 1.



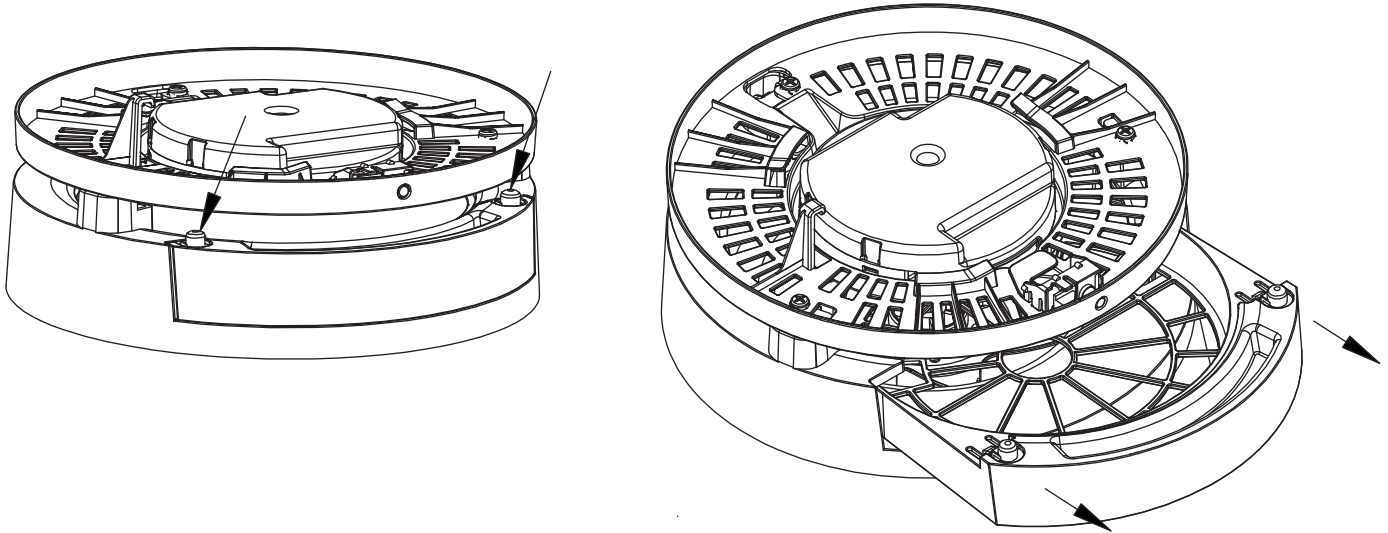
Assembly - Standard Ceiling Mount

9 Install the purification assembly

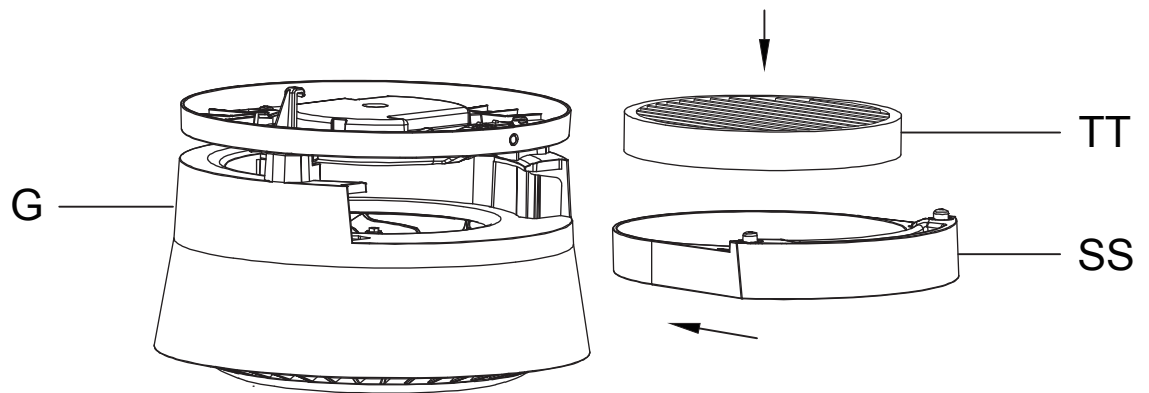
- Hold and press, the two bosses on the filter holder (SS) at the same time and pull out the filter holder.



NOTE: Insert the filter (TT) before hanging the purification assembly (G).



- Insert the filter (TT) into the filter holder (SS), and then insert the filter holder (SS) into the purification assembly (G).

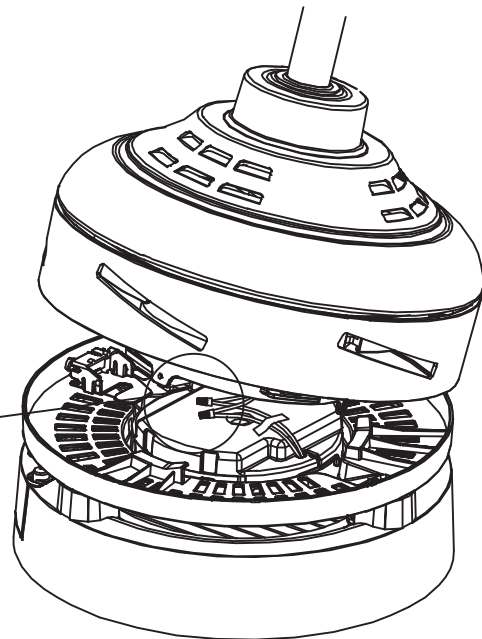
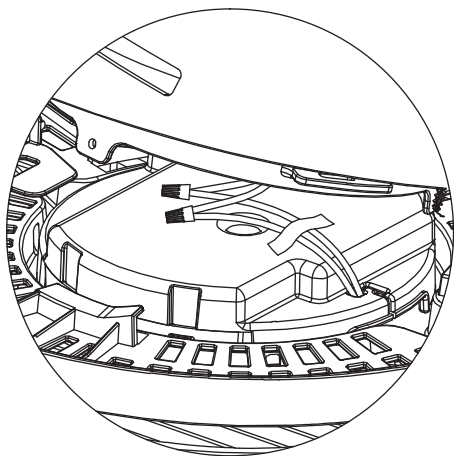
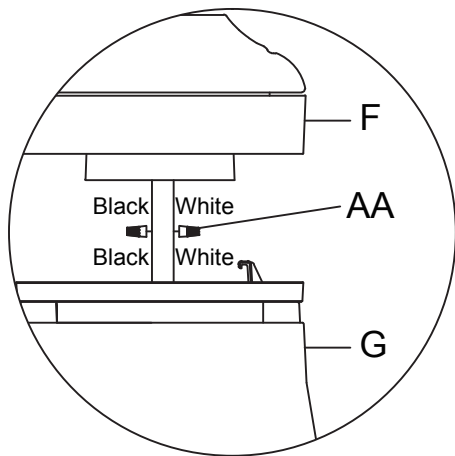


Assembly - Standard Ceiling Mount

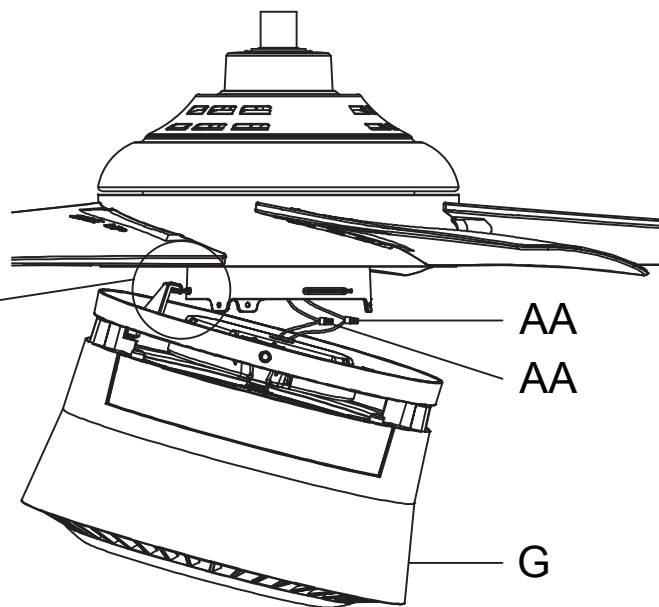
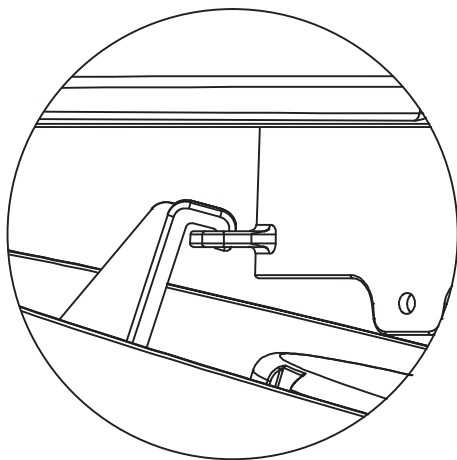
- Connect the wire harness with the wiring cap (AA).
- Use electrical tape to stick the connected wires on the receiver cover.



NOTE: Connect the black wire harness to the black wire and the white wire harness to the white wire.

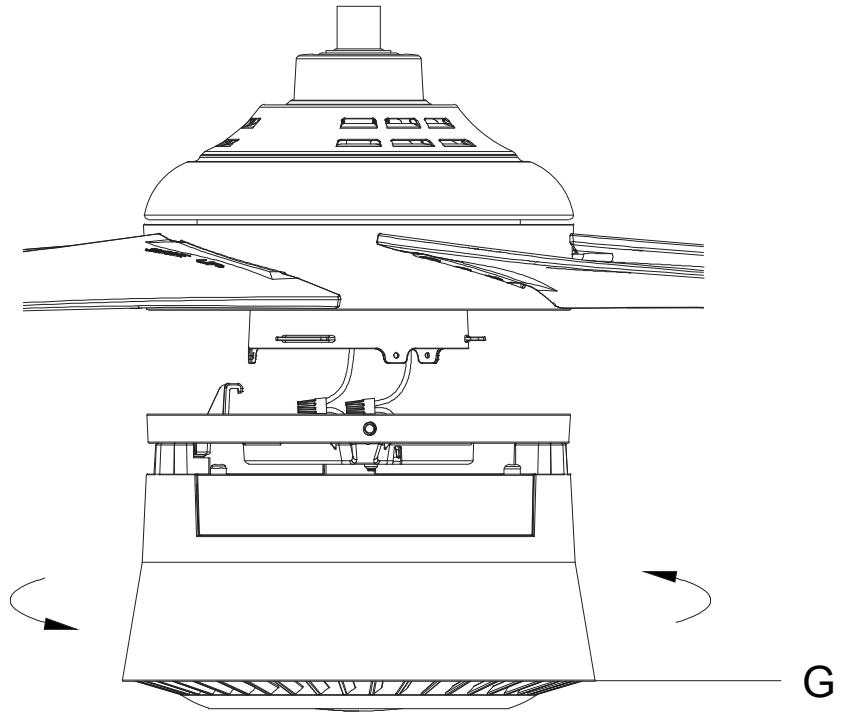


- Hang the purification assembly (G) on the fan motor assembly (F).



Assembly - Standard Ceiling Mount

- Rotate the purification assembly (G) clockwise to attach it to the motor assembly (F).

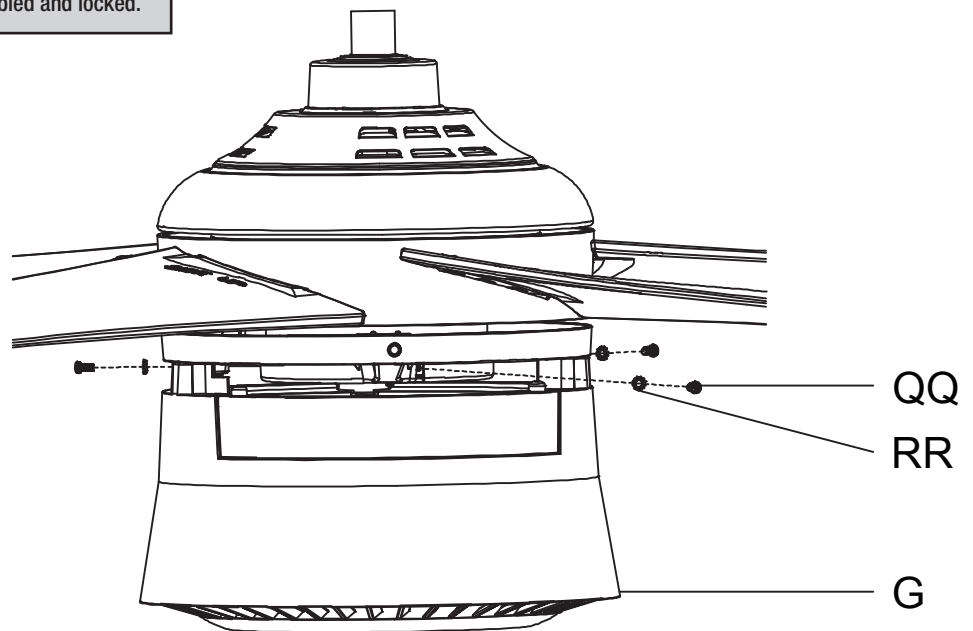


- Tightening the screws (QQ) and the external washers (RR).



NOTE: 1. It is recommended to use magnetic screwdrivers when tightening the locking screws (QQ) and outer tooth washers (RR).

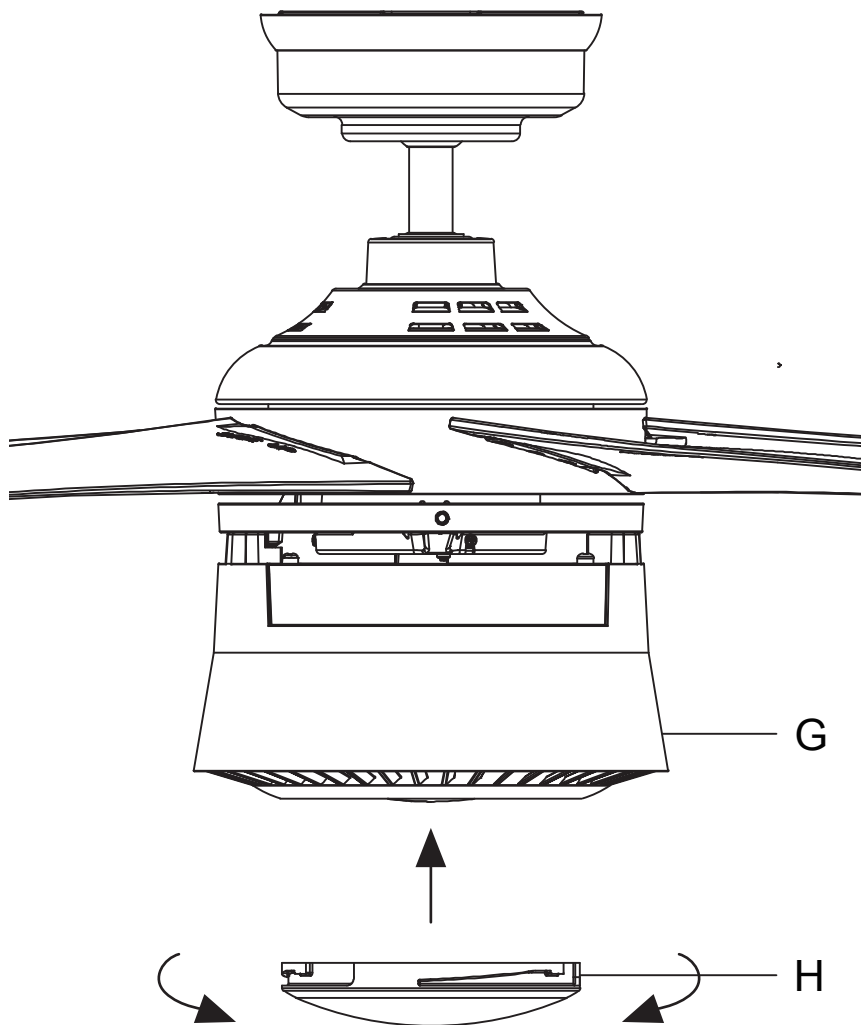
2. All three screws (QQ) and outer tooth washer (RR) are required to be assembled and locked.



Assembly - Standard Ceiling Mount

10 Install the lampshade

- Place the lampshade (H) into the purification assembly (G) aligning the four flat areas on the flange top of the lampshade (H) with the four raised dimples in the purification assembly (G).
- Turn the shade (H) clockwise until it stops.



Operation

Installing the batteries

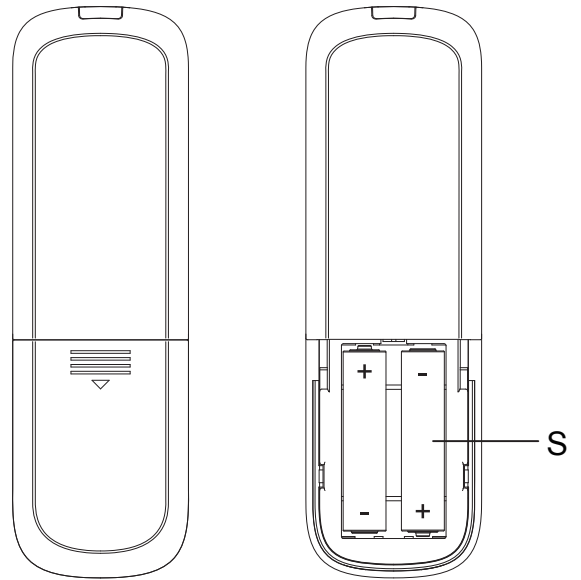


CAUTION: Do not use with a wall light dimmer switch.



NOTE: The battery will weaken with age and should be replaced before leaking takes place as this will damage the remote control. Dispose of the used battery properly and keep the battery out of the reach of children.

- Remove the battery cover by pressing on the arrow and sliding the cover off.
- Install two 1.5V AAA batteries (S).
- Replace the battery cover on the remote control.



1. To replace the remote control:

Press and hold the ON/OFF button, turn on the power, pair the remote control with the fan. The pairing is successful when the indicator flashes twice. If it fails, turn off the fan power and then turn on to re-pair.

2. To pair the remote control:



NOTE : After the AC power is on, do not press any other button on the remote control before pressing the "⏻" button. Otherwise the procedure will fail.



NOTE : The remote control can pair with multiple receivers. Make sure no other receivers are operating during the learning process. Separate the fan power switches by approximately 7 meters.

Should you desire to use another remote control unit with your new fan, install one using the steps below:


- Turn the main power source off to begin the pairing process.
- Press and hold the ⏻ button to enter the learning function.
- Return the power to the unit, keep holding the button.
- Within 15 seconds of turning the fan's AC power ON, once the receiver has detected the set frequency, the down light of your fan, if applicable, will blink twice. Please repeat the above steps if there is no indication after 15 seconds.
- A receiver can remember up to three remote controls. If a fourth is used, the first would be deleted.









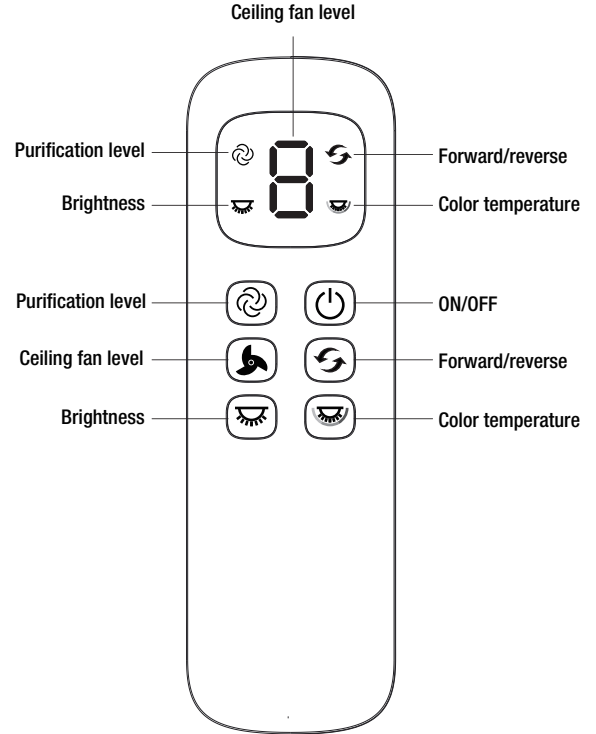
Operation





















3. Description of the remote control functions



NOTE : Press and hold the button  for 3 seconds to reset the filter time.

Button	Function Description
ON/OFF 	<ol style="list-style-type: none"> 1. Press the button in the standby state to enter the power-on state. 2. Press the button in the power-on state to switch the ceiling fan, purification and lighting functions to the standby state at the same time.
Forward/reverse 	Press the button in the power-on state to switch the wind between forward and reverse operation.
Purification level 	<ol style="list-style-type: none"> 1. Press the button to adjust the purification module in the sequence of low - high - off. 2. Press and hold the button for 3 seconds to reset the filter time.
Ceiling fan level 	Press the button in the power-on state to adjust the wind speed of the ceiling fan in the sequence of low - medium - high.
Brightness 	Press the button to adjust the brightness of the lamp in the sequence of low - medium - high - off.
Color Temperature 	Press the button when the lamp is on to adjust the color temperature of the lamp cyclically among 2700K-3000K-5000K.



Button	Function Description	
Ceiling fan level 	 - Fan is off  -Ceiling fan medium speed	 -Ceiling fan low speed  -Ceiling fan high speed
Forward/reverse level 	 -Ceiling fan is rotating forward, and the wind is blowing downwards	 -Ceiling fan is rotating reversely, and the wind is blowing upwards
Purification level 	No display - Purification module off  -High speed purification	 -Low speed purification  -The icon flashes, indicating that the filter is used up and needs to be replaced
Brightness 	No display - Lamp is off  -Medium brightness	 -Low brightness  -High brightness
Color temperature 	 -Lamp color temp. 2700K	 -Lamp color temp. 3000K  -Lamp color temp. 5000K

Care and Cleaning



WARNING: Make sure the power is off before cleaning your fan.

- Because of the fan's natural movement, some connections may become loose. Check the support connections, brackets, and blade attachments twice a year. Make sure they are secure. It is not necessary to remove the fan from the ceiling.
- Clean your fan periodically to help maintain its new appearance over the years. Do not use water when cleaning, as this could damage the motor or the wood, or possibly cause an electrical shock. Use only a soft brush or lint-free cloth to avoid scratching the finish. The plating is sealed with a lacquer to minimize discoloration or tarnishing.
- You can apply a light coat of furniture polish to the wood for additional protection and enhanced beauty. Cover small scratches with a light application of shoe polish.
- You do not need to oil your fan. The motor has permanently-lubricated sealed ball bearings.

Do

- Check the support connections, brackets, and blade attachments twice a year. Ensure they are secure. Because of the fan's natural movement, some connections may become loose over time. It is not necessary to remove the fan from the ceiling.
- Clean your fan periodically. Use only a soft brush or lint-free cloth to avoid scratching the finish. The plating is sealed with a lacquer to minimize discoloration or tarnishing.
- (Optional) Apply a light coat of furniture polish to the wood blades.
- (Optional) Cover small scratches with a light application of shoe polish.

Do not

- Do not use water when cleaning. Water could damage the motor, or the wood, or possibly cause an electrical shock.
- Do not apply oil to your fan or motor. The motor has permanently-lubricated sealed ball bearings.

Troubleshooting

Problem	Solution
The fan will not start.	<ul style="list-style-type: none"><input type="checkbox"/> Check the main and branch circuit fuses or breakers.<input type="checkbox"/> Check the line wire connections to the fan and switch wire connections in the switch housing.
The fan is noisy.	<ul style="list-style-type: none"><input type="checkbox"/> Ensure all motor housing screws are snug.<input type="checkbox"/> Ensure the screws that attach the fan blade bracket to the motor hub are tight.<input type="checkbox"/> Ensure the wire nut connections are not rattling against each other or the interior wall of the switch housing.<input type="checkbox"/> Allow a 24-hour “breaking in” period. Most noises associated with a new fan disappear during this time.<input type="checkbox"/> If you are using the Ceiling Fan light kit, ensure the screws securing the glassware are tight. Check that the light bulbs are also secure.<input type="checkbox"/> Ensure the canopy is a short distance from the ceiling. It should not touch the ceiling.<input type="checkbox"/> Ensure your outlet box is secure and rubber isolator pads were used between the mounting plate and outlet box.
The fan wobbles.	<ul style="list-style-type: none"><input type="checkbox"/> Check that all blade and blade arm screws are secure.<input type="checkbox"/> Most fan wobble problems are caused when blade levels are unequal. Check this level by selecting a point on the ceiling above the tip of one of the blades. Measure from a point on the center of each blade to the point on the ceiling. Measure this distance. Rotate the fan until the next blade is positioned for measurement. Repeat for each blade. Any measurement deviation should be within 1/8 in. Run the fan for ten minutes. If the fan continues to wobble please contact Customer Service and a balancing kit will be sent to you at no charge.



Questions, problems, missing parts? Before returning to the store,
call Hampton Bay Customer Service
8 a.m. - 7 p.m., EST, Monday - Friday, 9 a.m. - 6 p.m., EST, Saturday

1-855-HD-HAMPTON

HAMPTONBAY.COM

Retain this manual for future use.