



RECYCLED PACKING



Quanzhou DongKun Electronic Technology Co.,Ltd.

Add: 4/F, Building 1, optoelectronics-information industry
base ,Nan'an,Quanzhou,Fujian,China

Web: www.qzdkdz.com

Made in China



02 USER'S MANUAL

TO CUSTOMER

Thank you very much for using our two way radio.

This radio of modern design is reasonable structure with stable functions.

It is designed to meet different customer's need for high quality with easy operation and perfect capability. We believe you are pleased with its nice shape and excellent performance.

Main Function:

Frequency Band:

UHF: 462.5500-462.7250MHz; 467.5625-467.7125MHz

Low battery alarm

Monitor

Non-standard CTCSS/CDCSS Code

English/Chinese voice prompt

TOT

Volume control

Busy channel lockout

Battery save

Contents

Using tips	01
Unpacking and checking equipment	02
Battery information	03
Use and care	06
Installing accessories	07
Getting familiar	11
Basic operations	13
Trouble shooting guide	19
Specification	20
Warranty card	22

Using tips

Please read the following brief instructions, non-compliance with these rules may cause danger or violate the law.

Obey the local government regulation before using this radio, improper use may violate the law and be punished.

Turn off the radio before entering flammable or explosive areas.

Do not charge or change the battery in flammable or explosive areas.

Turn off the radio before getting close to the blasting zone or detonator areas.

Do not use radio whose antenna is damaged, touching of damaged antenna will cause heat injury.

Do not attempt to open the radio; the maintenance work should be done by technical expert only.

To avoid troubles caused by electromagnetic interference or electromagnetic compatibility, please turn off the radio in places where have the banner "Do not use wireless equipment," such as hospital and other healthcare places.

In the car with an airbag, do not put the radio within the scope of the airbag deployment.

Do not store the radio under the direct sunshine or in hot areas. When you transmit with the radio, do keep away from its antenna for 2.5cm at least.

If the radio appears smelly or smoke, please shut off its power immediately and contact with your local dealer.

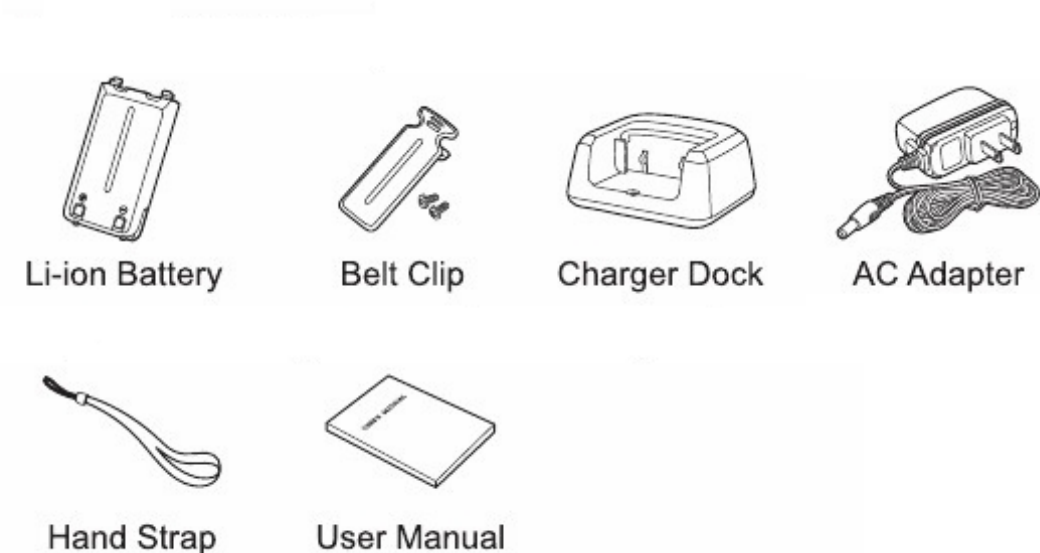
Do not transmit too long, for the radio may heat and hurt the user.

Unpacking and checking equipment

Welcome to use the Two Way Radio. Carefully unpack the radio. We recommend you check the items listed in the following table before discarding the package. If an item is missing, please contact your local dealer immediately.

Supplied Accessories

- AC Adapter × 1
- Charger Dock × 1
- Li-ion Battery × 1
- Belt Clip × 1
- Hand Strap × 1
- User Manual × 1



Battery information:

Please use battery, other batteries can cause explosion and hurt people.

Notice:

1. Please do not short-circuit the battery terminals or expose of in fire. Do not disassemble the battery by yourself.
2. Charge the battery between temperature 0°C-40°C. The battery can not be fully charged beyond this temperature range.
3. Please turn off the power when you charge the radio with battery. Transmit with the radio in charge will affect its correct charge.
4. Do not unplug the power or battery when it is charged.
5. The operating time becomes short even the battery is fully charged the batter is exhausted, please replace battery.
6. Please do not charge when the battery or the radio is wet. Please dry it with a cloth before charging to avoid any danger.

Warning:

When the conductive metals such as jewelery, key or decorative chains touch the battery terminals, all the batteries are likely to cause damage to the items or personal injury. These conductive metals may form a short circuit and generates much heat.

Do deal with any battery carefully. especially when put it into pocket. wallet or other metallic containers.

Charging operation:

Charging the battery as follows:

- Power off
- Insert the DC adaptor plug in the DC jack on the back of charger
- Insert the AC adaptor plug in the AC power output socket.
- Insert the battery or radio with battery vertically in a charger, to check whether the battery and charger terminal is in normal contact.
- Make sure the battery and charger terminal is in good contact,
- when the charging indicator light turns red, it stars charging.

CHARGING STATUS

LED Indicator Color	Status
Blue light ON	In Charging
Blue light OFF	Full Charged

Note:

1. Before inserting the battery, it is abnormal if the charging indicator blinks
2. To change the battery for charging, please wait until the indicator is stable.
3. When the battery is well inserted, the indicator turns red and the charging is on the process, if the indicator blinks, then the battery is damaged or the temperature is too high or too low.

Self-testing

When the charger powers up, if the orange indicator lights for one second and then goes out, entering the standby mode. the charger passes the self-testing and can charge the battery. If the orange indicator blinks constantly, the charger fails to pass self-testing, and can not charge the battery.

Normal charging indicator

When charging the battery, if the indicator light turns red, the battery is on the normal charge: if the red indicator light blinks constantly, the battery capacity is too low, and is on the trickling charge, and after the battery capacity reaches a certain level, it will switch to the normal charge.

Note: Tricking charge does not exceed 30 minutes, if the red indicator light blinks after 30 minutes, it means the charger can not charge battery, please check whether the battery or the charger has been damaged.

Charging precautions:

- The battery is not fully charged in factory, please charge before using it.
- Charge and discharge the battery for two or three times, the battery capacity will reach the best condition. when the battery capacity is low, please charge or change the battery.
- The battery lasts shortly even if it is fully charged, the battery is exhausted, please contact your local dealer to buy a new authentic battery.

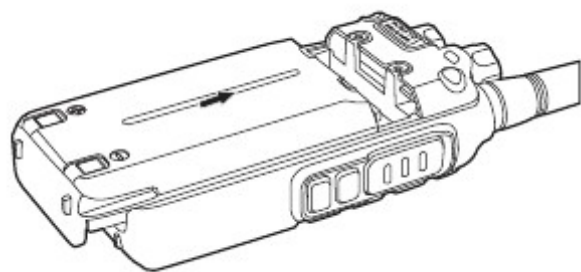
Use and care

1. Do not hold antenna or external speaker directly.
2. Clear the dust & dirt to avoid bad connection.
3. Cover the SP/MI jacks if not use it.
4. Clean the keypad/knob/radio shell with neutral detergent after long-term use.

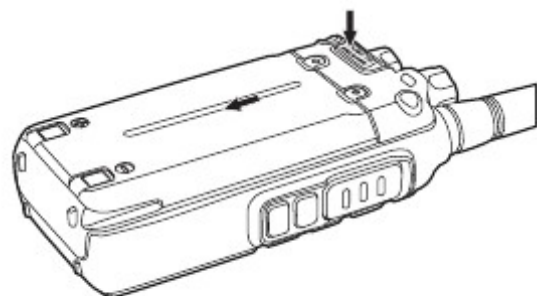
Installing accessories

Installation of battery pack

1. Fit the supplied battery pack into the batter pack trough, then slide it toward the head to insert it completely - in direction of arrowhead.
2. Push the battery pack lock to release the battery pack and slide it toward the bottom to remove it out - in direction of arrowhead.



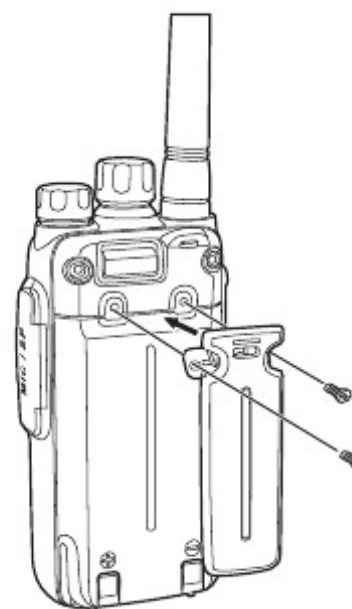
(INSTALLING)



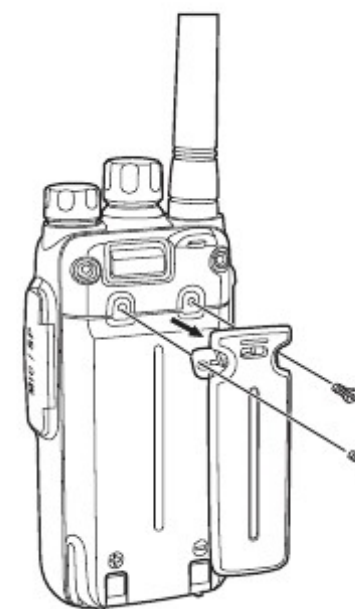
(REMOVING)

Installation of belt clip

Align the two holds of belt clip and two holes of the radios, fix them with the supplied M2.5*5 screws. Loosen the screw set to remove belt clip.



(INSTALLING)

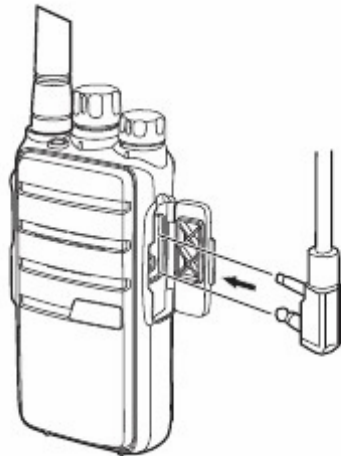


(REMOVING)

Installing External Micro/Speaker

Open the cover of the Mic/Speaker jack and insert the microphone/speaker plugs into the jack.

- Note:**
1. Using the external headset or Mic/speaker will affect the water-tightness performance of radio.
 2. If the external headset is not workable, please use the headset case.



Getting Familiar

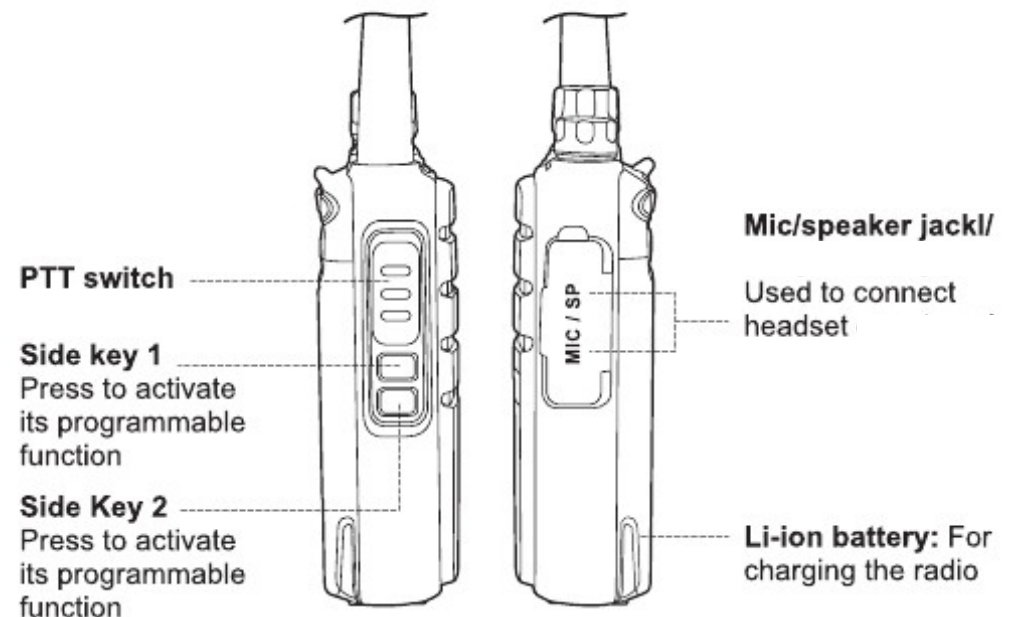
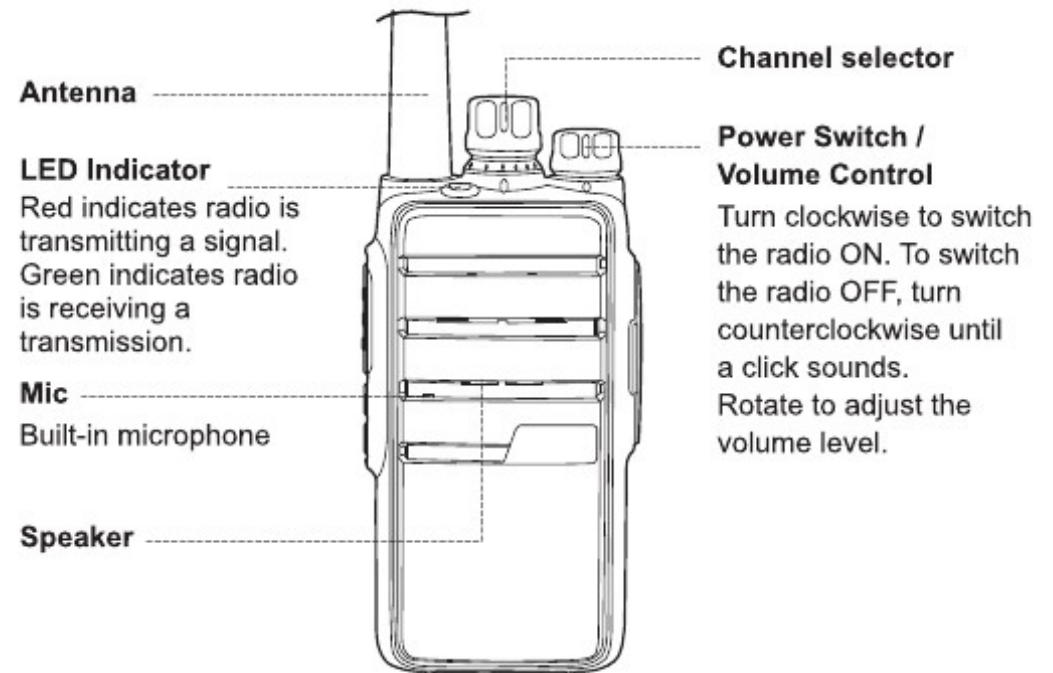
Channel-selecting knob: Select the working channel, channel announcement when voice prompt is ON.

Speaker: sound output

Power/volume knob: To power on/off and adjust the volume. Rotate clockwise, a "click" sound is heard and a "DU" tone prompts the radio power on. Continue to rotate it to adjust the volume. Rotate it counter-clockwise until a "click" sound is heard, it powers off.

LED indicator Light: The indicator light turns red when transmit, turns green when receive. It blinks red when the battery capacity is low.

ORIENTATION



Basic operation:

LED Indicator

It lights when transmitting and lights green when receiving.

Power on /off

Rotate the power/volume knob clockwise, a "click" sound is heard "Welcome" and channel prompt tone sounds, it powers on.

Rotate the power/volume knob counter-clockwise, without any tone it powers off.

Adjusting the volume

Rotate the power/volume knob clockwise, when it powers on, continue to rotate the knob to adjust the volume.

Note: You can monitor the background sound and adjust the volume.

Select the channels

Rotate the channel-selecting knob directly to select your desired channel from 1 to 16.

Please refer to channel numbers or symbols at the bottom of the knob to select the channel, or operate based on the voice annunciation.

Transmitting And Receive

1. To transmit, please press the (PTT) switch and speak to the microphone in a normal voice. Keep the mouth about 5CM away from microphone.

Notice: Press PTT switch, the indicator lights red, it transmits.

If the red indicator blinks, it indicates low power, and the radio may not be able to transmit.

2. Release the PTT switch to receive.

Side Key function assignment.

✧ Side one: Monitor

✧ Side Two: Emergency alarm

Monitor

With this function, you can monitor the signals of current channel. It will sound noise if there is not a signal.

Temporary Monitor

When side-key is assigned as temporary monitor and press the key which is assigned as temporary monitor, press the key, background noise will be heard, release it to exit.

Emergency alarm

When side-key assigned as emergency alarm, press the key the radio rings and press PTT, emergency alarm will be sent out to other radios in the same channel, they will emit emergency call, Press side-key again to turn it off.

TOT (Time out Timer)

The purpose of TOT is to prevent any radio from talking in one channel for a long time. And to prevent the transceiver from being damaged because of continuous transmission. If you continuously transmit for a period of time that exceeds the programmed time set by your dealer (default is 1 minute), the radio will stop the tone, release the PTT switch.

Channel Annunciation

When changing the channel using the Channel selector, an audio voice will announce the selected channel number, after you stop changing the channel. (Channel Annunciation can be activated or deactivated by your dealer.)

Low Battery Warning

Low battery warning alerts you when the battery needs to be recharged or replaced.

While operating the radio. If the battery power becomes low, an alert toner will sound every 30 seconds and the LED indicator will blink red. Replace or recharge the battery pack.

Battery save function

OFF: Battery save function is off

The former one is the proportion for working time and latter one is the one for standby time, and higher proportions for standby, the longer will be battery use

Busy Channel Lock(BCL)

- ✧ If current channel doesn't have CTCSS/DCS, when there is signal which doesn't have CTCSS/DCS, TX prohibited when you press PTT
- ✧ If current channel doesn't have CTCSS/DCS, When there is signal which have CTCSS/DCS. The radio will transmit when you press PTT.

Squelch level

The squelch level will determine the signal strength to open the speaker of the radio. If the squelch level is lower, the background noise of opening the radio's speaker will be higher, and the corresponding communication range will be further, but the anti-interference capacity will be weaker. The default setting of squelch level is 5, you can adjust it through the menu "Squelch level" of the "Optional features" in the software, level 0 to 9 can be selected. 0 is the lowest level.

QT/DQT

.When a channel has QT/DQT, the speaker will be turned on when it receives the same QT/DQT. If there is transmitted signal with differenr QT/DQT in the same channel, the speaker will nor open and indicator light turns green.

QT/DQT chart as as follow:

67.0	69.3	71.9	74.4	77.0	79.7	82.5	85.4	88.5	91.5
94.8	97.4	100.0	103.5	107.2	110.9	114.8	118.8	123.0	127.3
131.8	136.5	141.3	146.2	151.4	156.7	159.8	162.2	165.5	167.9
171.3	173.8	177.3	179.9	183.5	186.2	189.9	192.8	196.6	199.5
203.5	206.5	210.7	218.1	225.7	229.1	233.6	241.8	250.3	254.1

83 DCS code 1

D023N	D025N	D026N	D031N	D032N	D043N	D047N	D051N	D054N	D065N
D071N	D072N	D073N	D074N	D114N	D115N	D116N	D125N	D131N	D132N
D134N	D143N	D152N	D155N	D156N	D162N	D165N	D172N	D174N	D205N
D223N	D226N	D243N	D244N	D245N	D251N	D261N	D263N	D265N	D271N
D306N	D311N	D315N	D331N	D343N	D346N	D351N	D364N	D365N	D371N
D411N	D412N	D413N	D423N	D431N	D432N	D445N	D464N	D465N	D466N
D503N	D506N	D516N	D532N	D546N	D565N	D606N	D612N	D624N	D627N
D631N	D632N	D654N	D662N	D664N	D703N	D712N	D723N	D731N	D732N
D734N	D743N	D754N							

83 DCS code 1

D023I	D025I	D026I	D031I	D032I	D043I	D047I	D051I	D054I	D065I
D071I	D072I	D073I	D074I	D114I	D115I	D116I	D125I	D131I	D132I
D134I	D143I	D152I	D155I	D156I	D162I	D165I	D172I	D174I	D205I
D223I	D226I	D243I	D244I	D245I	D251I	D261I	D263I	D265I	D271I
D306I	D311I	D315I	D331I	D343I	D346I	D351I	D364I	D365I	D371I
D411I	D412I	D413I	D423I	D431I	D432I	D445I	D464I	D465I	D466I
D503I	D506I	D516I	D532I	D546I	D565I	D606I	D612I	D624I	D627I
D631I	D632I	D654I	D662I	D664I	D703I	D712I	D723I	D731I	D732I
D734I	D743I	D754I							

Trouble shooting guide

Troubles	Solution
No Electrical Source	<ul style="list-style-type: none"> • The battery has been exhausted. Replace or recharge the battery. • The battery is installed incorrectly. Remove it and install again.
The operating time becomes short, even the battery is fully charged.	<ul style="list-style-type: none"> • Replace the battery.
Not able to communicate with the transceivers of the same group.	<ul style="list-style-type: none"> • Confirm the QT/DQT is the same. • The distance is outside of range.
The voice of another group can be heard.	<ul style="list-style-type: none"> • Change all QT/DQT of the group.
Other radios can not receive the TX signals or receive signals in a low volume.	<ul style="list-style-type: none"> • Switch the volume knob to the highest level • The microphone may be damaged, send it to the local dealer for check.
Noise is always heard.	<ul style="list-style-type: none"> • The distance is outside of range. Turn on the radio in nearer range and try again.

SPECIFICATION:

General	
Frequency Range	462.5500-462.7250MHz; 467.5625-467.7125MHz
Channel Capacity	22 CH
Operating Temperature	-30°C~+50°C
Operating Voltage	DC3.7V
Frequency Stability	±2.5PPM
Working Mode	Simple or semi-duplex
Antenna Impedance	50Ω
Dimensions	228*124*57mm
Weight	243.9G
Antenna Gain (Loaded antenna)	2.15 dBi

Transmitter	
RF Power Output	Max 0.5Watt
Modulation	11K ϕ F3E
Max deviation	\leq 2.5KHz
Spurious radiation	\leq 7.5uW
Adjacent channel power	\leq -65dB \leq -60dB
Pre-emphasis characteristics	6dB
Current	\leq 1.2A(2W)
CTCSS/DCS deviation	0.5KHz \pm 0.1KHz, 0.4KHz \pm 0.1KHz
Intermediation sensitivity	8-20mV
Modulation Distortion	<5%
Receiver	
RF Sensitivity	-122dBm(12Db SINAD)
Audio Power	0.5W
Audio distortion	<5%
Intermediation	\geq 60dB \geq 55dB
Selectivity	\geq 65dB \geq 60dB
Spurious rejection	\geq 65dB
Block	\geq 85dB

NOTE: All Specifications are subject to change without notice due to continuous development.

Warranty Card

Customer's name: _____

Gender: _____

Add and postal code: _____

Customer's Tel: _____

Model: _____

Serial number: _____

Purchasing date: _____

Invoice No: _____

Dealer: _____

Stamp: _____

Add and postal code of the dealer: _____

Contact Tel: _____

Note:

1. This warranty card is only applicable to two-way radio of the above-listed model and serial number.
2. The warranty card is an important document for the end-user to enjoy warranty service, please keep it well.
3. The warranty card shall be filled and chopped by the dealer, or it is invalid.
4. This warranty card to be kept by the user no replenishment if lost.



Please focus on the following information:

The products warranty period begins from the purchasing date. If product failure under normal use within warranty period occurs, according to the contents of this warranty. (the radio is guaranteed for 12 months. Accessories 6 months). Please carry the warranty card originals and purchase invoice to designated authorized warranty repair station for warranty service.

Maintenance record

Carry-in date			
Completion date			
Fault description			
Maintenance staff numbers			
Maintenance personnel NO.			
Signature			

The following situations occur during warranty period will be implemented in paid service:

- (1) Failure to produce the warranty card
- (2) The card has altered traces or inconsistent with the product
- (3) Defect or damage caused by misuse, accident, water or negligence
- (4) Defect or damage caused by abnormal or non-normal use
- (5) Defect or damage caused by improper testing operation maintenance installation disassembly or adjustment
- (6) Defect or damage caused by unauthorized repair or disassembly.
- (7) Defect or damage caused by force majeure
- (8) Wear and tear under normal use.

When you are in need of repair, please send the radio, warranty card and purchase invoice together by post or take directly to designated authorized service stations, shipping costs should be borne by the user.

Thank you for buying two way radio Again. We will do our best to provide you with a stable, clear and efficient wireless communication services. In order for you to enjoy a better quality warranty service.

IMPORTANT NOTICE:

WARNING: Changes or modifications to this unit not expressly approved by the party responsible for compliance could void the user's authority to operate the equipment.

This device complies with Part 15 of the FCC Rules. Operation is subject to the following two conditions: 1) This device may not cause harmful interference, and 2) this device must accept any interference received, including interference that may cause undesired operation.

Safety Information for Radios

Your wireless handheld portable transceiver contains a low power transmitter. When the talk button is pushed, it sends out radio frequency (RF) signals. The device is authorized to operate at a duty factor not to exceed 50%. In August 1996, the Federal Communications Commissions (FCC) adopted RF exposure guidelines with safety levels for handheld wireless devices

Important

FCC RF Exposure Requirements: For body-worn operation, this radio has been tested and meets the FCC RF exposure guidelines when used with accessories supplied or designated for this product. Use of other accessories may not ensure compliance with FCC RF exposure guidelines. Use only the supplied antenna. Unauthorized antennas, modifications or attachments could damage the transmitter and may violate FCC regulations.

Normal Position

Hold the transmitter approximately 25 mm from your face and speak in a normal voice, with the antenna pointed up and away.