

**KEEP TRUCKIN**

# Installation Guide for Asset Gateway

This device contains license-exempt transmitters / receivers that comply with Part 15 of the FCC Rules and with Innovation, Science and Economic Development Canada's license-exempt RSS(s). Operation is subject to the following two conditions: (1) this device may not cause harmful interference, and (2) this device must accept any interference received, including interference that may cause undesired operation.

This equipment complies with FCC RF radiation exposure limits set forth for an uncontrolled environment and RSS 102 RF exposure compliance requirements. This equipment should be installed and operated with a minimum distance of 20 centimeters between the radiator and your body. This Transmitter must not be co-located or operating in conjunction with any other antenna or transmitter. Changes or modifications not expressly approved by Keep Truckin could void the user's authority to operate this equipment.

L'émetteur/récepteur exempt de licence contenu dans le présent appareil est conforme aux exigences de la section 15 de la réglementation FCC et aux CNR d'Innovation, Sciences et Développement économique Canada applicables aux appareils radio exempts de licence. L'exploitation est autorisée aux deux conditions suivantes : (1) l'appareil ne doit pas produire de brouillage, et (2) l'utilisateur de l'appareil doit accepter tout brouillage radioélectrique subi, même si le brouillage est susceptible d'en compromettre le fonctionnement.

Cet équipement est conforme à FCC et l'innovation, science et développement économique canada pour l'exposition maximale fixée pour un environnement non contrôlé. Cet équipement doit être installé et utilisé avec un minimum de 20 cm de distance entre l'équipement et votre corps. Les changements ou les modifications qui ne sont pas expressément approuvés par Keep Truckin sont susceptibles de révoquer les droits d'utilisation de cet équipement.



© 2019 Keep Truckin, Inc. All rights reserved.



TG-55-IG001

## Inside this box

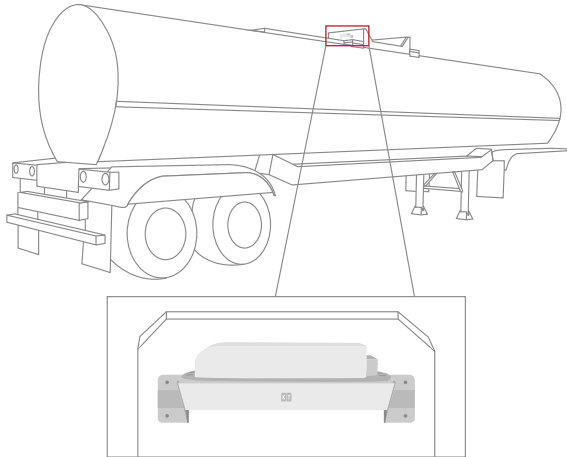
- 1 x Asset Gateway
- 1 x Cleaning wipe
- 1 x Mount Plate
- 4 x M3 Screws
- 4 x Self-tapping screws with washers



## Tankers

- » Identify a mounting spot on the top of the tanker along the walkway or roll bar that is away from any loading or unloading areas.
- » Install the Asset Gateway using the four self-tapping screws (with washers)

You may use the Mount Plate to position the Asset Gateway so it has an unobstructed view of the sky. Mount Plate instructions can be found on page 2.



## The Basics

Installation of an Asset Gateway differs between trailer type and power source. For optimal performance, identify these factors before finding the ideal installation location.

- » If you plan to utilize solar power, make sure the Asset Gateway's solar panel has a clear line of sight of the sun. For some trailers, this will require you to use the provided mount plate. If you plan on using a 7-way cable to power the Asset Gateway, be mindful of the cable length.
- » When selecting a location not expressly recommended by KeepTruckin, please ensure the location will not impede with the safe operation of the vehicle and damage the Asset Gateway.
- » For instructions on how to install the Asset Gateway on specific trailer types, see below.

## Installation Instructions

### Equipment

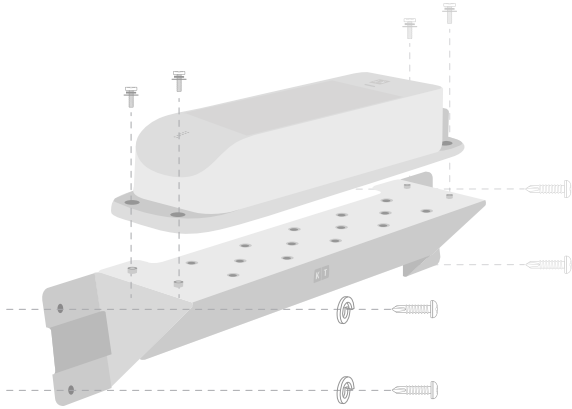
- » Mount Plate Page 2

### Trailer Types

- » Dry Vans Page 2
- » Reefers Page 3
- » Flatbeds Page 3
- » Tankers Page 4

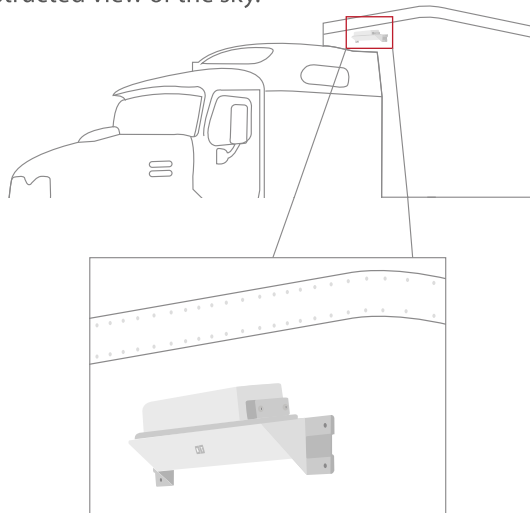
## Mount Plate Installation

- » Use the M3 Screws to attach the Asset Gateway to the mount.



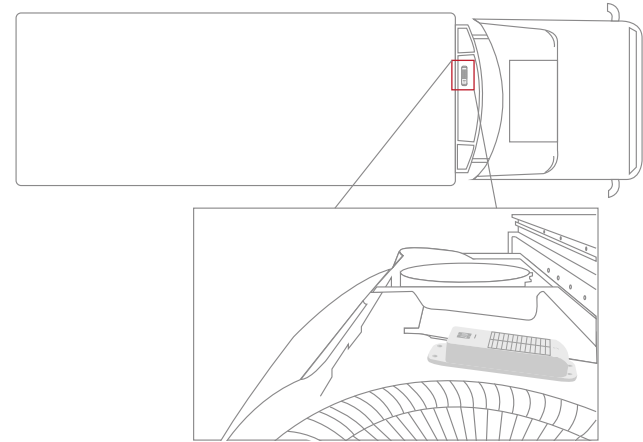
## Dry Vans

- » Attach the Asset Gateway to the Mount Plate using the four M3 Screws provided. Mount Plate instructions can be found on page 2.
- » Install the Mount Plate with the attached Asset Gateway near the top of the front bulkhead (the side closest to the tractor) using the four self-tapping screws (with washers). Make sure the solar panel has an unobstructed view of the sky.



## Reefers

- » Identify a mounting spot on the top of the refrigerator unit.
- » Install the Asset Gateway using the four self-tapping screws (with washers). Make sure the solar panel has an unobstructed view of the sky.



## Flatbeds

- » Attach the Asset Gateway to the Mount Plate using the four M3 Screws provided. Mount Plate instructions can be found on page 2.
- » Install the Mount Plate with the attached Asset Gateway near the top of the front bulkhead (the side closest to the tractor) using the four self-tapping screws (with washers). Make sure the solar panel has an unobstructed view of the sky.

