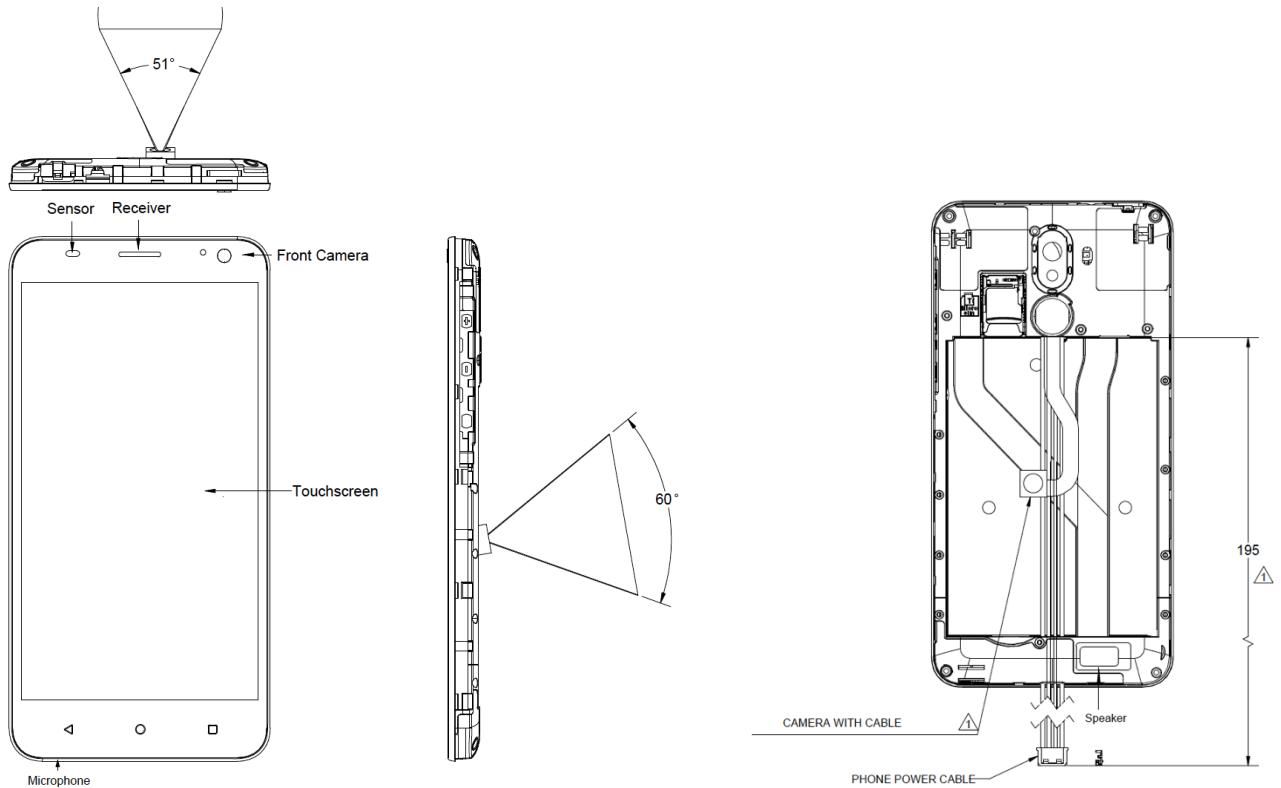


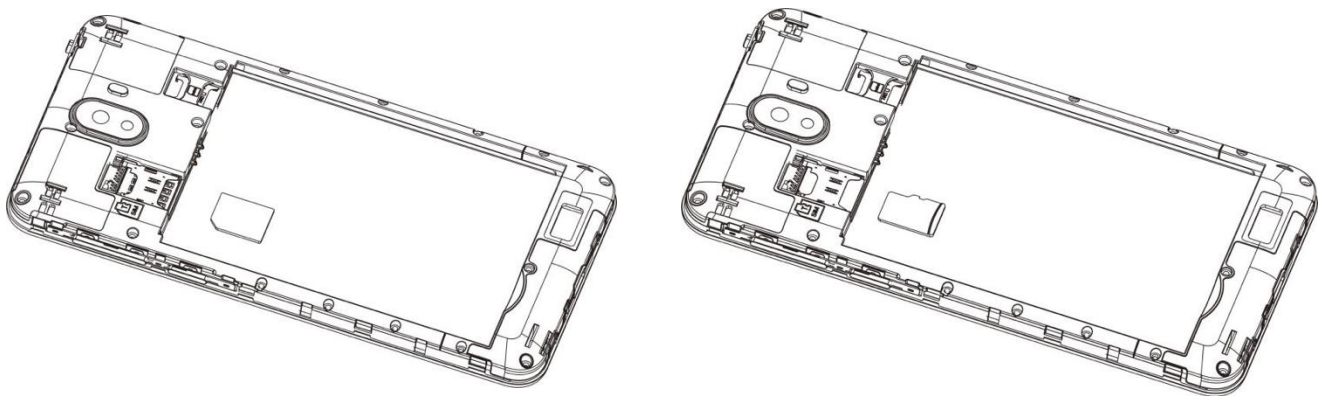
## GET STARTED

### Over view



Tip: The power cable will be connected with external power supply, 5V DC power. The device also supports battery power supply with special connector to match our power cable connector.

### Insert SIM card and SD card



Tip: The SIM card is a small part. Please keep away from Children to avoid swallowing the card by accident. Please do not touch the metal surface of SIM card and away from electromagnetic field to avoid damage data.

## INFORMATION

---

When used in the directed manner, the device has been designed and manufactured to ensure your personal safety. However, improper use can result in potential electrical shock or fire hazards. Please read all safety and operating instructions carefully before installation and keep these instructions handy for future reference. Take special note of all warnings listed in these instructions and on the unit.

a) **Common Care**

Check the device, AC adapter and any accessories regularly. Do not use the device if there is any sign of damage. Only install and operate in accordance with the instructions in this manual.

b) **Keep Out of Reach of Children**

Dropping the device can cause damage or injury. Keep the AC adapter cord out of the way to avoid tripping or causing the device to fall.

c) **Keep Safe Distance from Body**

Karie should be kept a minimum distance of 20 cm or 8 inches from the body.

d) **Power Cable and Plug Protection**

Use only the power adapter our company supplied. Never use a power cable that is frayed or damaged. Power supply cables should be routed so that they are not likely to be walked on or pinched by items placed upon or against them. It is always best to have a clear area from where the cable exits the unit to where it is plugged into an AC socket. Handle electrical cords and polarized plugs with care, never try to force the plug into an outlet and avoid bending the prongs. A polarized plug has one blade wider than the other and can only be inserted one way into the electrical outlet. The polarized plug is provided for safety reasons since it reduces the hazard of electrical shock.

e) **Indoor Use Only**

Karie is not intended for outdoor use. Place Karie in an indoor living area, on a hard, dry surface. Do not expose Karie to direct sunlight or store Karie in a closed car that is in direct sunlight. Do not store Karie in an area with strong magnetic fields or excessive vibration.

f) **Disconnect Karie in Case of Malfunction**

If you smell or notice smoke, disconnect the AC Adapter immediately, taking care to avoid burns. Contact AceAge Inc. or their representatives for inspection and service before any future operation. Only use the AC Adapter provided with this device. Another type of adapter may damage the device or cause a fire or electric shock.

g) **Keep Away from Water and Moisture**

Keep the device dry. Liquids and moisture can damage it, including mist, fog and steam from a bath or shower. Do not leave the device on a moist countertop and avoid use in a bathroom. Do not leave the device in a vehicle overnight. If a liquid leaks into the device, discontinue use of the device. To reduce the risk of electrical shock or fire, do not place the device in or near water or other liquids, or expose it to rain.

h) **Cleaning Instruction**

The device should be cleaned gently using a clean microfiber screen-cleaning cloth. Do not use abrasives, or a dampened or wet cloth, solvents, or cleaning products to clean the device. Do not attempt to clean any internal portion of the device.

i) **Avoid Heat or Extreme Temperatures**

Extreme temperatures can damage device: do not leave the device where it may be subjected to high temperatures—above 55° C—or very cold temperatures—below 5° C. Keep the device away from radiators, heat registers, electric



## KARIE USER MANUAL – text

heaters, stoves or other appliances that produce heat. Do not place the device next to an air conditioner.

### j) Ensure Proper Ventilation

The device should be placed so that its location or position does not interfere with its proper ventilation. Do not remove any exterior covers from the device.

### k) Do Not Attempt to Service

Only qualified personnel are allowed to service or repair the device. If it is damaged, malfunctions, or comes in contact with liquid, contact an authorized service provider.

### l) Questions?

Visit [www.kariehealth.com/support](http://www.kariehealth.com/support) or contact a Karie Support agent toll free, 24 hours a day at 1-800-234-5678.

## FEATURES

Feature	Description
<b>PIN LOCK</b>	You have the option of setting a 4-digit Personal Identification Number (PIN) to prevent unwanted use of Karie
<b>Face Recognition</b>	Karie offers facial recognition as an added security measure for dispensing medication. Requires use of a PIN
<b>Reminders</b>	<ul style="list-style-type: none"> <li>Alert tone with adjustable volume. Intensifies for escalated dispense</li> <li>Flashing light that increases in frequency with escalated dispense</li> <li>Screen color reflects change in dispense status, from green (normal) to amber (escalated) to red (missed)</li> </ul>
<b>Device pairing</b>	Karie can be paired with mobile devices belonging to designated individuals known to the user, such as caregivers
<b>Notifications</b>	Text messages are sent to designated individuals through their paired device whenever medication is dispensed, dispensed late or missed
<b>Medication Instructions</b>	Karie displays instructions for use of the medication being dispensed, when the dispense button is pressed

Feature	Description
<b>Traveling</b>	Karie can pre-dispense medication for a length of time when the user will not be at home to take a dose, according to the number of doses specified
<b>Secure Data Storage</b>	Karie records its own interaction with the user and securely transmits that information to designated individuals, such as the user's pharmacist. This communication is secure, protected and only visible to those individuals.
<b>Medication Schedule</b>	Karie provides a calendar view of the user's medication schedule, up to the last dose in the current pill cartridge
<b>Self-reporting</b>	Under special circumstances – which include medical approval, prior notification and consent of the user – Karie may be used to collect information from the user such as how they feel when prescribed a particular medication.

### QUICK FIXES

---

Issue	Screen	Solution
Alert! Insert cartridge fully		The pill cartridge is not fully inserted: adjust the cartridge or remove and re-insert by sliding the cartridge into place. Listen for a 'click' sound. The Home screen should now appear.
Alert! Karie cannot read packet		The leading pouch in the pill cartridge is not positioned properly. Remove any tape. Adjust the edges of the pouch and pull forward so it lies perpendicular & halfway along the track. If the problem persists, seek help from your caregiver or pharmacist.
No Connection appears		Karie cannot locate a cellular network signal from its current position: move Karie to another location in your home where the signal is stronger.

### TECHNICAL SPECIFICATIONS

---

#### **Name**

Karie Personal Health Companion

#### **Model**

kar01(AceAge1A)

#### **External Devices**

The Karie device does not come with any accessories that can be connected. However, it has Bluetooth functionality.

#### **Power Requirements**

- Voltage: 5V DC power

#### **Peripherals**

- Display: 5.5” Diagonal, 1280 x 720 resolution, PCAP touch screen
- Camera: 5M Pixel
- Microphone: Omnidirectional
- Speaker: 3W Stereo
- Bluetooth: 4.0 (classic and BLE)
- **Connectivity: 4G. Note: Karie does not support voice calls.**

#### **Security**

- All inbound ports closed, allowing outbound traffic to AceAge Cloud Platform Services only
- User input through captive screen only
- Communication with AceAge Cloud Platform Services uses Transport Level Security with AES 256 encryption

#### **Device dimensions**

- Depth 270.4 mm (10.7 inches)
- Height 214.6 mm (8.4 inches)
- Width 112.6 mm (4.4 inches)

#### **Environmental Conditions**

- Indoor use only
- Operating Temperature: 5°C to 40°C
- Storage Temperature: -20°C to 45°C



## KARIE USER MANUAL – text

- Operating Altitude Limit: 2000 meters
- Humidity: Max 80% RH up to 31°C decreasing linearly to 50% RH at 40°C
- Pollution Degree 2: Typical home or office environment

### **Symbols**

Consult instructions for use

Serial number

Date of manufacture

Manufacturer

Temperature limitation

Catalog number

Avoid rain or other damp conditions

UL Certification (US & Canada) (pending)

AC (Alternating Current)

Double Insulated

Caution

Standby power

Do not dispose of this product in general waste. Contact Karie Support for proper disposal method.

ACEAGE CONTACT DETAILS

© ACEAGE INC.

### **This Manual is provided by:**

AceAge Inc.

295 Hagey Boulevard

Waterloo, ON, Canada N2L 6R5

Phone: 1-800-234-5678

### FCC Statement

1. This device complies with Part 15 of the FCC Rules. Operation is subject to the following two conditions:  
(1) This device may not cause harmful interference.



## KARIE USER MANUAL – text

(2) This device must accept any interference received, including interference that may cause undesired operation.  
2. Changes or modifications not expressly approved by the party responsible for compliance could void the user's authority to operate the equipment.

### NOTE:

This equipment has been tested and found to comply with the limits for a Class B digital device, pursuant to Part 15 of the FCC Rules. These limits are designed to provide reasonable protection against harmful interference in a residential installation.

This equipment generates uses and can radiate radio frequency energy and, if not installed and used in accordance with the instructions, may cause harmful interference to radio communications. However, there is no guarantee that interference will not occur in a particular installation. If this equipment does cause harmful interference to radio or television reception, which can be determined by turning the equipment off and on, the user is encouraged to try to correct the interference by one or more of the following measures:

Reorient or relocate the receiving antenna.

Increase the separation between the equipment and receiver.

Connect the equipment into an outlet on a circuit different from that to which the receiver is connected.

Consult the dealer or an experienced radio/TV technician for help.

### RF Exposure Warning Statements

Device must be kept a minimum distance of 20 cm or 8 inches from the body during normal operations.