

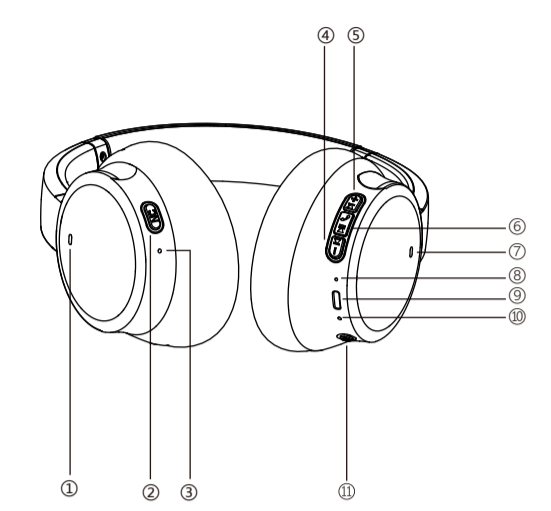
蓝牙无线降噪耳机

A1



说明书

感谢您购买本公司蓝牙无线主动降噪耳机，使用前请阅读本产品使用说明书，以便您快速了解本产品详细功能。



- ① **降噪MIC**
左边降噪MIC，禁止堵塞。
- ② **降噪开关**
蓝牙关机状态：长按3秒启动降噪，再次点按1秒进入环境音，再次点按1秒关闭降噪；
蓝牙开机状态：点按1秒启动降噪，再次点按1秒进入环境音，再次点按1秒关闭降噪；
- ③ **降噪指示灯/快充指示灯**
打开主动降噪，绿色指示灯亮起；
关闭主动降噪，绿色指示灯关闭；
亮白灯进入快速充电

- ④ **音量“-”/下一曲**
点按1秒，音量逐级减小；
长按3秒，切换下一曲；
- ⑤ **音量“+”/上一曲**
点按1秒，音量逐级加大；
长按3秒，切换上一曲；
- ⑥ **播放/暂停/接听来电**
音乐状态下点按1秒暂停播放音乐，反之音乐播放；
电话呼入点按1秒接听来电，长按3秒拒听来电；
双击该键，发起未听重拨；
- ⑦ **降噪MIC**
右边降噪MIC，禁止堵塞；
- ⑧ **通话MIC**
蓝牙通话MIC，禁止堵塞；
- ⑨ **Type-C接口**
接入标准的Type-C电源线充电，支持5V 2A，9V 2A，12V 1.5A；
接入本机专配音频线，为外部音源输入，
电池无电时可享用为有线耳机；
- ⑩ **系统指示灯**
系统开机指示灯“红色”与“蓝色”灯交替闪烁，表示耳机处于蓝牙配对状态；
接入充电器充电中显示“红色”指示灯；
电池充满电显示“蓝色”指示灯，“红色”指示灯熄灭；

- ⑪ **电源开关**
按住3秒开机，反之关机；
开机后，点按1秒查询电池用量；
语音提示：高电量，中电量，低电量；
- 简易故障排除**
1. 耳机不能开机
请使用充电器为电池补充电量；
- 2. 手机找不到或连接不上耳机
刷新手机蓝牙设备列表，再次尝试搜寻配对；
耳机先关机，再接住耳机电源开关5秒开机，等待耳机红蓝指示灯闪烁后放手，尝试手机搜寻配对；
- 3. 无降噪
检查“左”与“右”的降噪MIC孔是否有异物堵塞；
检查“左”与“右”耳套是否有破损，如有破损需更换新的耳套；
- 4. 充不满电
请尽量使用5V 2A以上充电器为耳机充电，条件许可请使用9V 2A充电器为耳机充电；
- 5. 音乐播放卡或信号不稳定
使用环境有电磁干扰源，换其它环境尝试；
耳机与连接设备在有效10米距离范围；

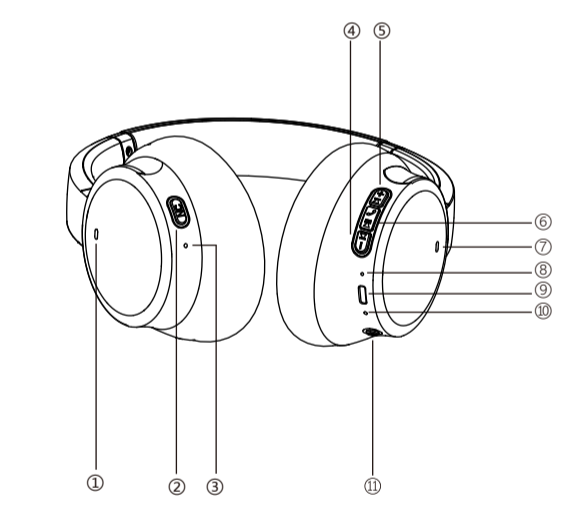
- 注意事项**
耳机首次使用，开机键按压保持5秒，观察红色与蓝色指示灯闪烁后松开按键；
音量请调至适合大小，避免长时间使用损伤听力；
使用9V 2A电源适配器，以获取更短的充电时间；
为获取较好音质，建议播放无损音乐煲机48小时；
(音量调至70%)
禁止使用非专配音频线，它可能会损坏你的设备；
使用Line In功能，请关闭降噪功能；

Bluetooth ANC headset

A1



User Manual



- ① **Noise reduction MIC**
The noise deduction MIC on the left house, NO blocked.
- ② **ANC switch**
BT OFF : Long press 3s, ANC on; press 1s again, enter environmental sound mode; press 1s again, ANC off.
BT ON: Press 1s, ANC on; press 1s again, enter environmental sound mode; press 1s again, ANC off.
- ③ **ANC led/PD LED**
When ANC on, the green led is on, when ANC off, the green led is off. PD quick Charging, the white led is on.

- ④ **Volume “-” / next sound**
Short press 1s, volume gets lower
Long press 3s, go to next sound
- ⑤ **Volume “+” / previous sound**
Short press 1s, volume gets higher
Long press 3s, go to previous sound
- ⑥ **Play/Pause/Answer call**
When listening music, short press 1s, music is plause. Press 1s again, music will be played.
If there is calling incoming, short press 1s to answer, long press 3s to refuse calling.
Double clicking this button to redial the last phone numbers.
- ⑦ **Noise deduction MIC**
The noise deduction MIC on the right house, NO blocked.
- ⑧ **Phone MIC**
Bluetooth phone MIC, NO blocked
- ⑨ **Type-C jack**
Plug in standard Type C cable for charging, support 5V 2A , 9V 2A, 12V 1.5A ;
Plug in provided cable for external audio input, can also used as wired earphones when battery off.
- ⑩ **System indication LED**
Red and blue led flash alternately when device is power on, means device is waiting for BT pairing.
When charging, the red led will be on.
When battery is charging fully, red led will be off, and blue led is on.

- ⑪ **Power on/off switch**
Long press 3s to power on, again long press 3s, power off.
Short press 1s to inquiry battery used volume in power on state.
There will be voice remind: high battery volume, middle battery volume and low battery volume.
- Simple issues to solve**
1. Cannot power on the earphone
Please charge the device first
- 2. Mobile phone cannot find device' s BT name or cannot connect BT
Please refresh mobile phone' s BT list and try to search again; or please power off the earphone, then press the power on switch 5s to power on the earphone, wait for the red and blue led flash alternately, then can search and pairing.
- 3. No ANC effect
Check if the noise deduction MIC on left/right houses are blocked; check if the ear caps on left/right are broken, if so, please change new ones.
- 4. Cannot charge fully
Please use 5V/2A adaptor to charge the earphone, if allowed, you can also use 9V/2A adaptor.

- 5. Playing music is not smoothly or unstable BT connection
There is electromagnetism interference, please change to another environment for using.
The valid using distance between earphone and connected devices is 10m.
- Remarks**
When in first time usage, long press the power key for 5s until red and blue led flash alternately to release fingers.
Please use the proper sound volume, avoid hearing harm by long time using.
For gaining better sound quality, suggest play the non-destroyed music files for 48hours with sound volume of 70%.
Forbidden to use non-provided cables, it may destroy the earphone device.
When the Line In function is working, please keep the ANC to be off mode.

FCC Statement
This equipment has been tested and found to comply with the limits for a Class B digital device, pursuant to Part 15 of the FCC Rules. These limits are designed to provide reasonable protection against harmful interference in a residential installation. This equipment generates uses and can radiate radio frequency energy and, if not installed and used in accordance with the instructions, may cause harmful interference to radio or television reception, which can be determined by turning the equipment off and on, the user is encouraged to try to correct the interference by one or more of the following measures:
-- Reorient or relocate the receiving antenna.
-- Increase the separation between the equipment and receiver.
-- Connect the equipment into an outlet on a circuit different from that to which the receiver is connected.
-- Consult the dealer or an experienced radio/TV technician for help.
This device complies with part 15 of the FCC Rules. Operation is subject to the following two conditions:
(1) This device may not cause harmful interference, and (2) this device must accept any interference received, including interference that may cause undesired operation.

Changes or modifications not expressly approved by the party responsible for compliance could void the user's authority to operate the equipment.

IC STATEMENT
This device complies with Industry Canada' s licence-exempt RSSs. Operation is subject to the following two conditions:
(1) This device may not cause interference; and
(2) This device must accept any interference, including interference that may cause undesired operation of the device.

Le présent appareil est conforme aux CNR d'Industrie Canada applicables aux appareils radio exempts de licence. L'exploitation est autorisée aux deux conditions suivantes :
(1) l'appareil ne doit pas produire de brouillage, et
(2) l'utilisateur de l'appareil doit accepter tout brouillage radioélectrique subi, même si le brouillage est susceptible d'en compromettre le fonctionnement.