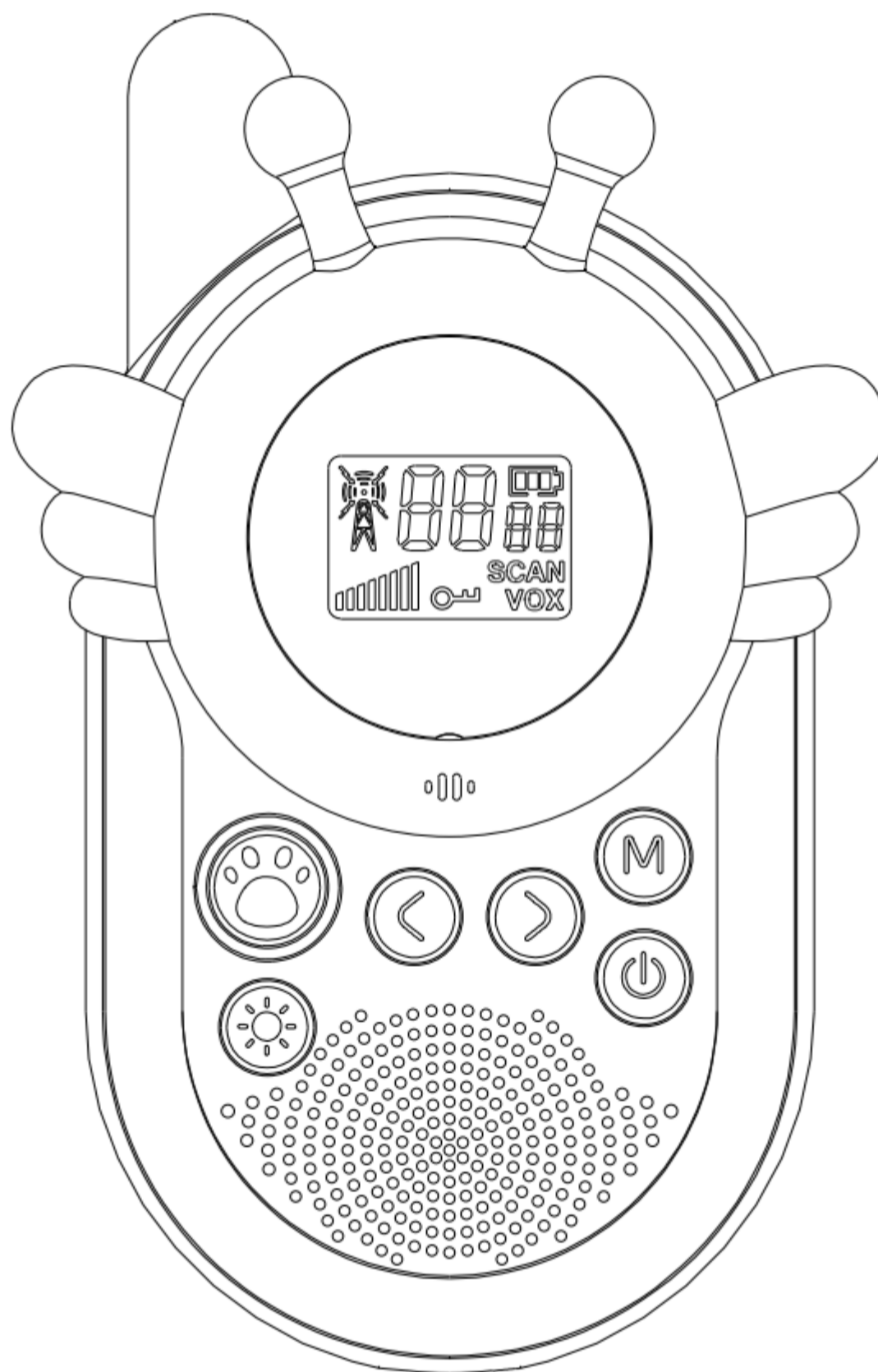
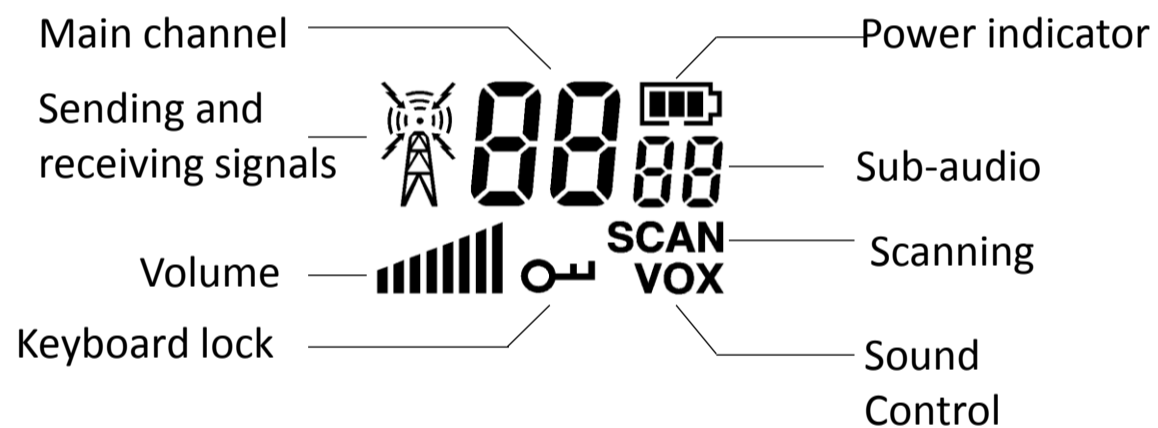
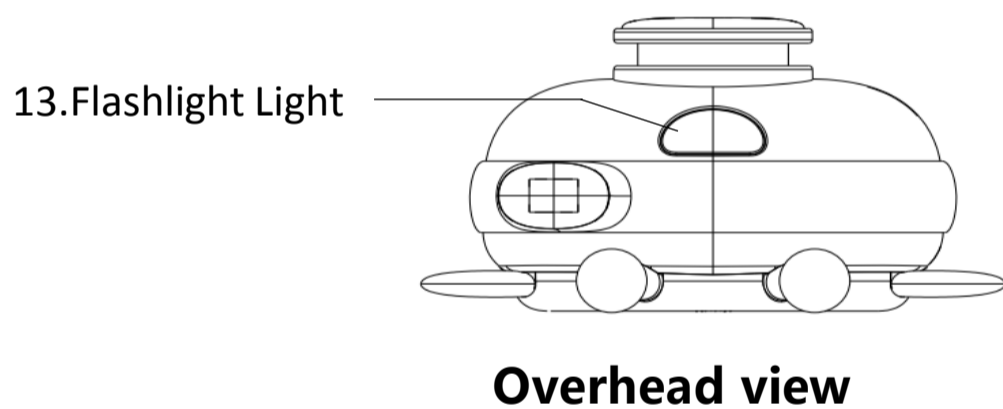
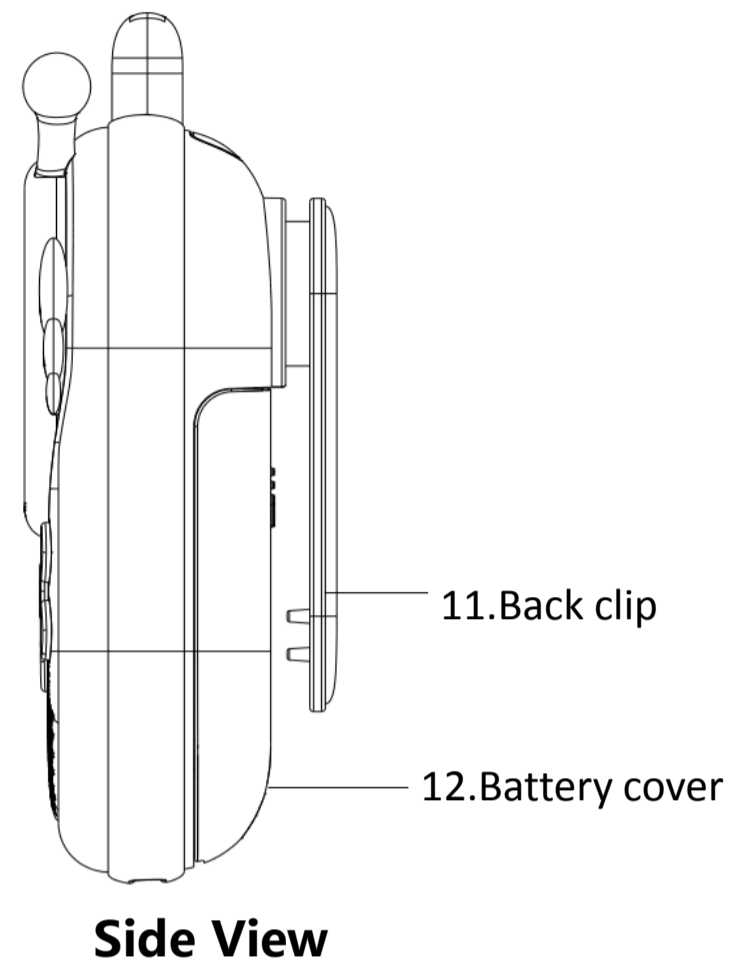
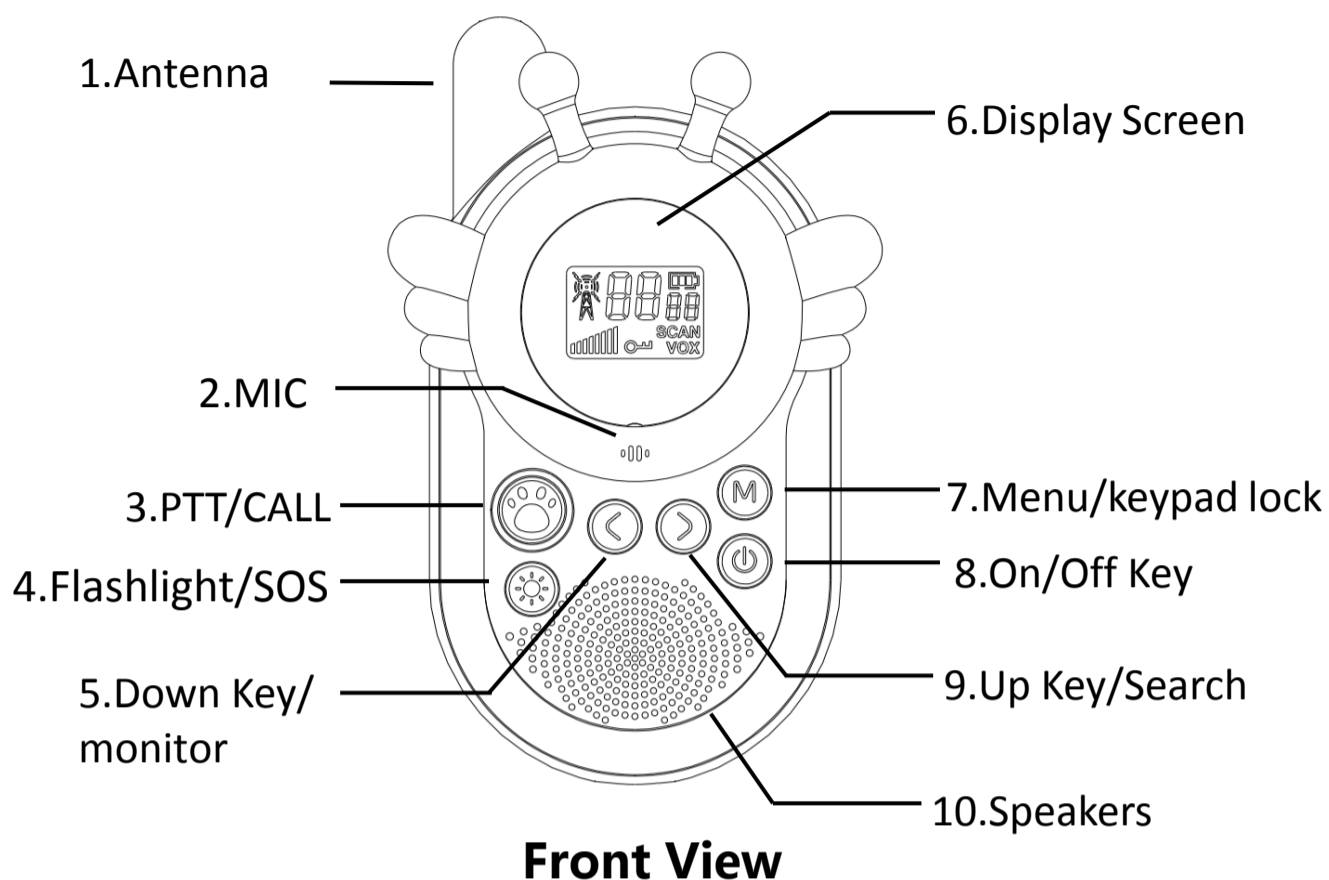


# Walkie-talkie instructions



Walkie-talkie  
Model: JT30

# Knowing the product



1. Antenna: Sending and receiving signal antenna, do not grab with hands when working, otherwise it will affect the quality of communication
2. MI: When firing the voice, please speak 3~5cm away from MI
3. PTT/CALL: Long press to transmit voice, release to receive; short press 2 times in a row to transmit CALL
4. Flashlight/SOS: Short press to turn on/off the flashlight, long press for SOS alarm
5. Down Key/monitor: Short press to the down flip function, long press to monitor the weak signal
6. Display Screen: Product status at a glance with access to various information including: channel number, CTCSS code, volume and others
7. Menu/keypad lock: Short press to enter the menu settings, long press to lock the keypad button
8. On/Off Key: Long press to turn on/off
9. Up Key/Search: Short press to the up flip function, long press to enter the search for the active channel
10. Speakers: Product Speakers
11. Back clip: Detachable back clip, easy to carry, you can clip the product in your pocket or other places
12. Battery cover: With screw removable battery cover, after loosening the screw can be installed 4 No. 7 / AAA batteries
13. Flashlight Light: High brightness flashlight for convenient emergency lighting at night

**\*\*PS:** Each walkie-talkie requires 4 AAA batteries, which are not included in the package. You need to prepare the batteries first to make the walkie talkie work, we recommend you always use high quality AAA alkaline batteries.

# Operation Guide

## 1. Transmitting/Receiving

Press and hold the PTT key without releasing, speak at a distance of 3~5cm from the MI, you can transmit the voice to the receiver; release the key is to receive the voice

\*Note: The channel and sub-audio of the transmitter and receiver must be the same in order to communicate properly

## 2. Launch CALL

Continuous short press PTT key, the intercom will emit a tone, wake up the receiver

## 3. Turn on/off

You need to prepare 4 AAA batteries for each walkie-talkie to work, please install the batteries according to the battery polarity marked in the battery compartment, the walkie-talkie will automatically turn on after installing the batteries; if you want to turn off the phone, you can remove the batteries, or long press the power button for 3 seconds, the walkie-talkie turns off. Long press for 3 seconds, the walkie-talkie turns on

## 4. Channel setting

Short press the menu key once to enter the channel setting, short press the up and down key to set the channel, press PTT or after 10 seconds to save and exit the setting.

## 5. Sub-audio setting

Short press the menu key twice to enter the sub-audio setting, short press the up and down keys to set the sub-audio CTCSS/DCS, each channel has 99 groups of sub-audio settings

## 6. Sound control setting

Short press the menu key 3 times to enter the VOX setting, Short press the up and down keys to set the sound control switch, a total of 3 levels can be set, The 3rd gear has the highest sensitivity.

## 7. Call tone setting

Short press the menu key 4 times, enter the CALL sound setting, short press the up and down keys to select different tone melodies, a total of 10 groups of melodies can be set



## 8. Key tone setting

Short press the menu key 5 times to enter the key tone setting, short press the up and down keys to set the key tone switch. The speaker does not emit sound when the key is operated after the key tone is turned off

## 9. Launch end sound setting

Short press the menu key 6 times to enter the end of launch tone setting, short press the up and down keys to set the tone switch. No more beeps at the end of the launch after the sound is turned off

## 10. Battery power indication

The battery icon on the screen shows the battery power level, display  indicates sufficient power; display  indicates that the battery power has been depleted, at this time the intercom will be intermittently issued "beep beep" sound alert, then you need to replace the new battery to work properly

## 11. Adjust the volume

In standby mode, short press the up/down key to adjust the volume, a total of 8 levels of volume can be adjusted

## 12.TOT (Timeout Timer)

The role of the timeout timer is to prevent long time occupation of the channel and avoid the intercom continuous transmitting time is too long, which will lead to the body of the heat. The machine sets the TOT limit time, when the continuous transmitting time is too long (more than 180s), the walkie-talkie will stop transmitting. Release the PTT switch, press the PTT switch again to resume transmitting.

## 13. Monitor function

Long press the down key and do not release, after 3 seconds will into the monitor mode, then the automatic noise suppression function will be turned off, the intercom will emit "clatter" noise, the intercom will receive any signal on this channel, generally used when the communication signal is not good, automatically exit after release the button

## 14. Search function

Long press the up key do not release, after 3 seconds will into the Scan mode, it will stop scanning when an active channel is searched, at this point you can press the PTT key and reply on this channel

\*Note: If the sub-audio of the machine is "OF", it means ignore the sub-audio search, if the sub-audio of the transmitter is different from this machine, the other party cannot receive the signal transmitted by this machine.

## 15. Flashlight

In power-on mode, short press the flashlight button once, the flashlight light will be lit, and then short press again to turn it off.

## 16. Emergency alarm

In an emergency, long press the light button will start the emergency alarm function, the flashlight light will flash with three long and three short frequencies; the speaker will sound the alarm, and at the same time will send the alarm sound to other intercoms by wireless signal

Operating frequency	462.55~467.7125MHz
Frequency Stability	±5ppm
Number of channels	22
Operating Voltage	DC4.3V~6.6V
RF Power	≤0.5W
Audio Output	≤0.5W
Communication distance	1~3km(Depends on the usage environment)
Sub-audio	CTCSS+DCS



During the preparation process of this manual, we strive for the accuracy and completeness of the content. However, for possible errors or omissions, the company does not assume any responsibility. The Company reserves the right to change the product design and specifications. due to the continuous development of technology, the product design and specifications are subject to change without notice

# User Security Information

For your safe and efficient use of this machine, please read the following safety information carefully:

1. Please turn off the intercom before entering a flammable or explosive environment.
2. Do not replace or charge the battery in flammable or explosive environments.
3. Do not use walkie talkies with damaged antennas, damaged antenna contact with the skin may cause minor burns.
4. The repair work of the intercom should only be carried out by professional technicians, please do not disassemble and install the intercom by yourself.
5. To avoid problems caused by electromagnetic interference / or electromagnetic compatibility, please turn off the walkie-talkie at the place where the "Please turn off the walkie-talkie" sign is posted.
6. This walkie-talkie is not waterproof, so please keep it dry.
7. Do not expose the walkie-talkie to direct sunlight or place it near a heating device for a long time.
8. When the walkie-talkie is transmitting, keep the walkie-talkie in vertical position and speak close to the microphone. If you wear your portable walkie-talkie on your body, make sure that the antenna is at least about 5 cm from your body when the walkie-talkie is transmitting.

## FCC Statement

This equipment has been tested and found to comply with the limits for a Class B digital device, pursuant to part 15 of the FCC Rules. These limits are designed to provide reasonable protection against harmful interference in a residential installation. This equipment generates, uses and can radiate radio frequency energy and, if not installed and used in accordance with the instructions, may cause harmful interference to radio communications. However, there is no guarantee that interference will not occur in a particular installation. If this equipment does cause harmful interference to radio or television reception, which can be determined by turning the equipment off and on, the user is encouraged to try to correct the interference by one or more of the following measures:

- Reorient or relocate the receiving antenna.
- Increase the separation between the equipment and receiver.
- Connect the equipment into an outlet on a circuit different from that to which the receiver is connected.
- Consult the dealer or an experienced radio/TV technician for help.

Caution: Any changes or modifications to this device not explicitly approved by manufacturer could void your authority to operate this equipment.

This device complies with part 15 of the FCC Rules. Operation is subject to the following two conditions: (1) This device may not cause harmful interference, and (2) this device must accept any interference received, including interference that may cause undesired operation.

Specific Absorption Rate (SAR) information:

This Communicator meets the government's requirements for exposure to radio waves. The guidelines are based on standards that were developed by independent scientific organizations through periodic and thorough evaluation of scientific studies. The standards include a substantial safety margin designed to assure the safety of all persons regardless of age or health. FCC RF Exposure Information and Statement the SAR limit of USA (FCC) is 1.6 W/kg averaged over one gram of tissue. Device types: Communicator has also been tested against this SAR limit. The device was tested for typical use of walkie-talkies when the person's face is held at least 25mm. To maintain compliance with FCC RF exposure requirements, use accessories that maintain an 0mm separation distance between the user's body and the back of the Walkie Talkie. The use of belt clips, holsters and similar accessories should not contain metallic components in its assembly. The use of accessories that do not satisfy these requirements may not comply with FCC RF exposure requirements, and should be avoided.



CE FCC



Shenzhen Jizhida Technology co., ltd

Address : 1902E,BLDG.C6,HENGFENG IND.CITY ,NO.739,ZHOUSHI RD.,HEZHOU  
COMMUNITY ,BAOAN DIST,SHENZHEN,CHINA