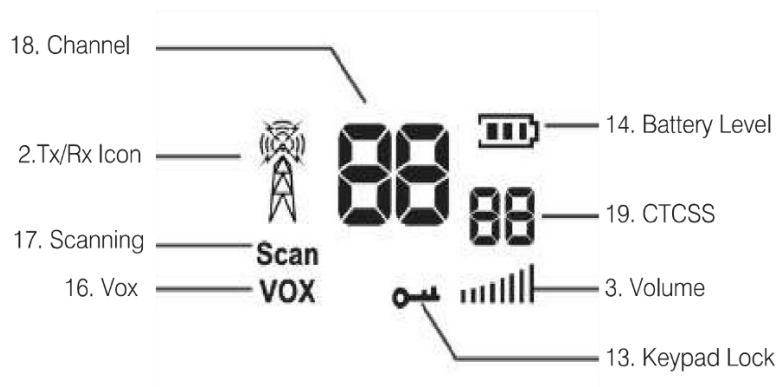
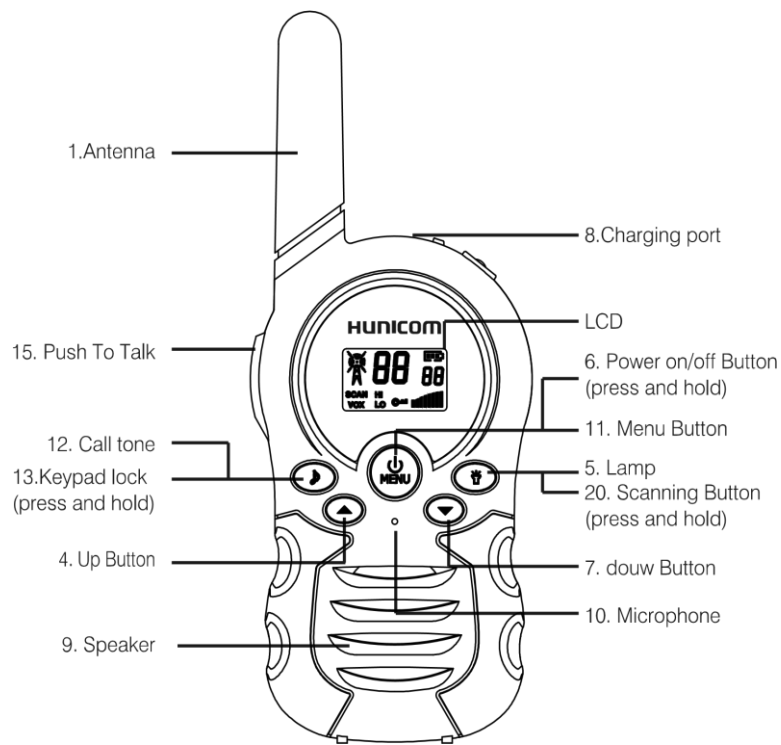


WALKIE-TALKIE

Model: J-688

User Manual



This set includes 2 walkie-talkie units: these are communication devices which operate on mobile radio frequencies. They come with 8/1 6/20/22(option) channels as well as a back-lit LCD screen, enabling you to communicate over several kilometers free-of-charge (up to 3 km in open areas)

NOTE: Please read these user instructions carefully before using the equipment and retain for future consultation!

USING THETWINTALKER

1. Turning the device on/off

To turn the devices on or off, hold down the power on/off button (6) for 3

Seconds a BEEP sound will be played to confirm.

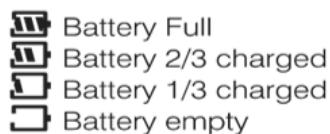
2. Adjusting the volume

To increase the volume, press the Up adjustor button (4) and press the Down (7) button to decrease volume.

Note: The volume level (3) is displayed on the screen.

3. Battery Charge Level/Low Battery Indication

The battery charge level is indicated by the number of squares present inside the battery icon on the LCD Screen.



When the battery charge level is low, the battery icon will flash and a beep will be heard to indicate that the batteries need to be recharged.

4. Receiving/transmitting communications

The devices are in 'Reception' mode when lit up, i.e. they are ready to receive a call or sound transmitted on the activated frequency. To send a voice message, press the TALK button (15) and speak into the microphone (10). Continue to press the button until you have finished transmitting your message.

Hold the microphone a minimum of 5 cm from your face.

Note:

-The other device must be set to the same channel and have set the same CTCSS code (see point 7)

5.Changing Channels

- Press the MENU button (11) once, the current channel number flashes on the display.
- Press the▲- button (4) or the-▼button (7) to change the channel.
- Press the TALK- button to (1 5) confirm and return to stand-by Mode.

Note: If no button is pressed within 15 seconds during setting, the unit will return to standby.

6.CTCSS

- Press the MENU-button (11) twice: The current CTCSS code flashes on the display.
- Press the▲-button (4) or the▼-button (7) to change to another code.
- Press the TALK-button (15) to confirm and return to stand-by mode.

Note: To disable CTCSS, select code "OF" for CTCSS in the menu. When the entry is confirmed, "OF" will be displayed.

7.Lamp

Press the Lamp-button (5) to activate lamp function.

Press again to turn off the lamp.

8.VOX Selection

The Radio is capable of voice activated (VOX) transmission.

In VOX mode, the radio will transmit a signal when it is activated by your voice or other sound around you. VOX operation is not recommended if you plan to use your radio in a noisy or windy environment.

- Press the MENU- button (1 1) three times, the current VOX setting flashes on the display and the VOX icon is displayed.
- Press▲-button (4) to set the VOX sensitivity level 1,2, 3,

(level 3 is the most sensitive level),

- Press the TALK-button (15) to confirm and return to stand-by mode.

9. Scanning for an active radio channel

- Press and hold Button (20): The 'Scan' function indicator (17) will appear on the screen and the channel (18) will scan continuously from 1 to 8/1 6/20/22.

- Press the ▼-button (7) to start the channel scan from 8/16/20/22 to 1.

NOTE: If you press the TALK button (15) while listening to a found channel, the radio returns to standby mode on the found channel.

10. call Tones

A call tone alerts others that you want to start talking.

1. Setting the Call Tone

The Twintalker has 10 call tones.

- Press the MENU- button (11) four times, "CA" is displayed and the current call tone is flashing.

- Press the ▲-button (4) or the ▼-button (7) to change to another Call Tone.

- Press the TALK - button (15) to confirm and return to stand-by Mode.

11. Sending a call Tone

Press the CALL-button (12) briefly. The call tone will be transmitted on the set channel.

12. Key-Tone On/Off

When a button is pressed, the unit will beep briefly. To set the key-tone.

- Press the MENU- button (11) five times. "to" will be displayed.

- Press ▲ to enable (ON) or ▼ disable the Key Tones (OF).

- Press the TALK - button (15) to confirm your selection and return to the standby mode.

13. Roger Beep On/Off

After the TAL_K-button is released, the unit will send out a

roger beep to confirm that you have stopped talking.

To set the Roger Beep.

- Press the MENU- button (11) six times. "ro" will be displayed.

- Press ▲ to enable (ON) or ▼ disable the Roger Beep (OF).

- Press the TALK - button (15) to confirm your selection and return to the standby mode.

14.Button Lock

- Press and hold the call tone- button (12) for two seconds to activate the Button lock mode. The button lock icon is displayed on the LCD Screen.

- Press and hold the call tone- button (12) again for two seconds deactivate button lock.

Note: The PTT - button (15), the CALL -button (12), and the on/off button (6) will still be functional when the Button Lock is activated.

15.Display back light

To activate the backlight of the LCD display, press any button. The LCD backlight will light up for 5 seconds.

16.Battery saving function

When the device has not been used for 6 seconds, the economy mode is automatically activated. This does not affect the

Technical specifications

Channels	8/16/20/22
Sub-code	CTCSS:1-38, DCS: 39-99
Frequency	462.5625MHz~462.7125MHz 462.5500MHz~462.7250MHz 467.5625MHz~467.7125MHz
Range	Up to 3 Km (Open field)
Battery	1000mAh Lithium polymer battery
Transmission Power	= < 500mW
ERP Modulation Type	FM - F3E
Channel spacing	12.5KHZ

This equipment has been tested and found to comply with the limits for a Class B digital device, pursuant to part 15 of the FCC Rules. These limits are designed to provide reasonable protection against harmful interference in a residential installation. This equipment generates, uses and can radiate radio frequency energy and, if not installed and used in accordance with the instructions, may cause harmful interference to radio communications. However, there is no guarantee that interference will not occur in a particular installation. If this equipment does cause harmful interference to radio or television reception, which can be determined by turning the equipment off and on, the user is encouraged to try to correct the interference by one or more of the following measures:

- Reorient or relocate the receiving antenna.
- Increase the separation between the equipment and receiver.
- Connect the equipment into an outlet on a circuit different from that to which the receiver is connected.
- Consult the dealer or an experienced radio/TV technician for help.

Caution: Any changes or modifications to this device not explicitly approved by manufacturer could void your authority to operate this equipment.

This device complies with part 15 of the FCC Rules. Operation is subject to the following two conditions: (1) This device may not cause harmful interference, and (2) this device must accept any interference received, including interference that may cause undesired operation.

Specific Absorption Rate (SAR) information:

This Communicator meets the government's requirements for exposure to radio waves. The guidelines are based on standards that were developed by independent scientific organizations through periodic and thorough evaluation of scientific studies. The standards include a substantial safety margin designed to assure the safety of all persons regardless of age or health. FCC RF Exposure Information and Statement the SAR limit of USA (FCC) is 1.6 W/kg averaged over one gram of tissue. Device types: Communicator has also been tested against this SAR limit. This device was tested for typical body-worn operations with the back of the phone kept 2.5cm from the body. To maintain compliance with FCC RF exposure requirements, use accessories that maintain an 2.5cm separation distance between the user's body and the back of the phone. The use of belt clips, holsters and similar accessories should not contain metallic components in its assembly. The use of accessories that do not satisfy these requirements may not comply with FCC RF exposure requirements, and should be avoided.