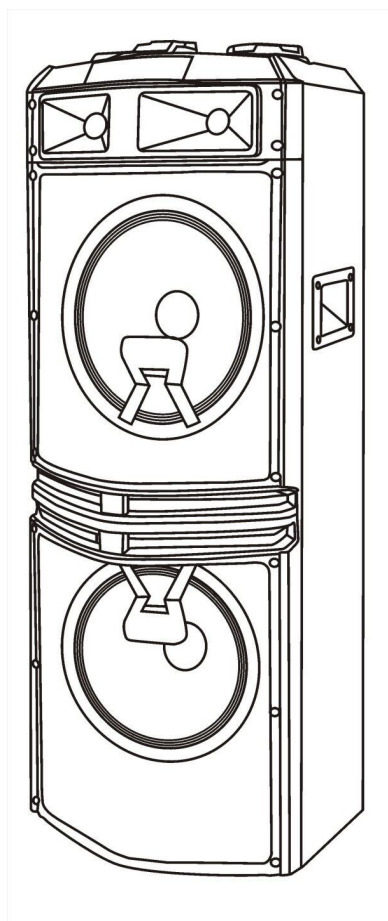


● **BLAUPUNKT**

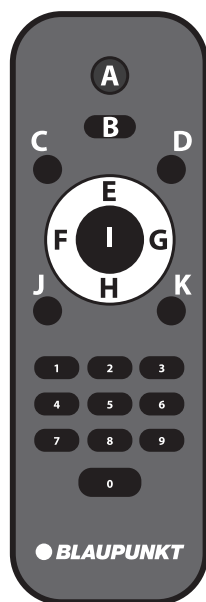
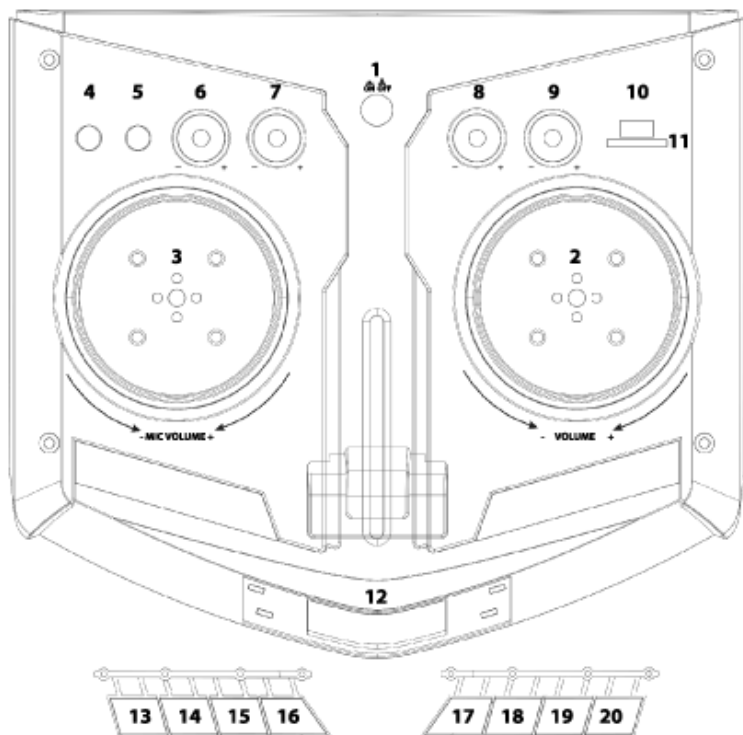
BP1491

Powered Speaker



**PLEASE KEEP THIS INSTRUCTION GUIDE FOR
FUTURE REFERENCE!**

Enjoy it.



Thank you for your purchase of our new Blaupunkt Powered Speaker. We hope you are satisfied with your product. Please make sure to read this instruction manual carefully before using your speaker.

Understanding Your Speaker

Please look at the chart below to familiarize yourself with the controls of your new speaker.

1. Power Button
2. Master Volume
3. Microphone Volume
4. ¼" Guitar Input
5. ¼" Microphone Input
6. Guitar Volume
7. Echo Effect
8. Treble
9. Bass
10. USB Input
11. SD Card Input
12. LCD Display
13. Record
14. Microphone Priority
15. Equalizer
16. Repeat
17. Mode
18. Previous Track/Previous Station/Volume Down
19. Play/Pause/Station Scan
20. Next Track/Next Station/Volume Up

Remote Control:

- A. Power
- B. Mode
- C. Stop
- D. Mute
- E. Volume Up
- F. Previous Track/Previous Station
- G. Next Track/Next Station
- H. Volume Down
- I. Play/Pause
- J. Repeat
- K. Equalizer

About your Powered Speaker:

1. Your Blaupunkt powered speaker has a built-in amplifier and line mixer to control the devices that are connected to it. Therefore you do not need a separate amplifier or mixer in order to use it. The amplifier is properly balanced for the output of the speaker.
2. Your Billboard powered speaker can play many devices through its many inputs. Check the inputs carefully on your model to better understand what is compatible with your speaker

Powering up your speaker:

1. Plug the AC plug into the AC connection port on the rear your speaker .
2. Plug the AC adaptor into an empty and nearby electrical socket.
3. Press the power button to the ON position. The LED display should illuminate.
4. Adjust the master volume to the MIN position before connecting a device.
5. You are now ready to connect your device!

Connecting your BLUETOOTH™ Device:

Your speaker can play almost all Bluetooth devices by simply pairing the device to the speaker. Please follow these steps to properly pair your device to your speaker.

1. Press the mode button until the words "BLUE" appears on the LCD screen.
2. Navigate to the Bluetooth section on your device and select "browse for devices".
3. Look for the speaker device name "BP1491" and press connect.
4. You should hear a connection sound on your speaker and your device should display "connected".
5. Play the music from your device and adjust the volume on your device.
6. Adjust the master volume on the speaker to your desired volume level.

Connecting your wired microphone (not included):

1. Connect your 1/4" wired microphone into the 1/4" Microphone Input .
2. Make sure your microphone is in the ON position and talk normally.
3. Adjust the microphone volume to your desired volume level.
4. Adjust the echo effect to your desired effect.
5. Adjust the master volume as needed.

Connecting your guitar (or other 1/4" device) (not included):

1. Connect your 1/4" plug from your guitar (or other device) into the 1/4" Guitar Input .
2. Make sure your guitar (or other device) is in the ON position.
3. Adjust the guitar volume to your desired volume level.
4. Adjust the master volume as needed.

Connecting your USB Device:

1. Plug your (FAT32 formatted) USB stick or USB device into the USB input.
2. The LCD display should show "USB".
3. Your speaker's built-in MP3 Player should automatically play the next MP3 song on your USB device.
4. Adjust the master volume as needed.
5. Press the next track, previous track, and play/pause buttons as needed.
6. Quickly Press the repeat button if you want the current song to repeat over and over. Press it once again to end the repeat function.

Connecting your SD Card:

1. Insert your (FAT 32 formatted) SD Card into the SD card input.
2. The LCD display should show "SD".
3. Your speaker's built-in MP3 player should automatically play the next MP3 song on your SD card.
4. Adjust the master volume as needed.
5. Press the next track, previous track, and play/pause buttons as needed.
6. Quickly Press the repeat button if you want the current song to repeat over and over. Press it once again to end the repeat function.

Recording onto your USB Device:

1. Insert your (FAT32 Formatted) USB Stick into the USB input
2. Press and hold the record button until you hear a beep that indicates the start of recording.
3. Play your music devices and use the microphone as needed and your vocals will be recorded onto the USB device.
4. To stop recording press and hold the record button once again until you hear a beep.
5. Your recording will be saved onto your USB device.

Playing music from the built-in FM Radio:

1. Press the mode button until "FM" appears on the LCD display.
2. Extend your FM antenna on the rear of your speaker as needed for better radio reception.
3. Press the Play/Pause/Station scan button to have the speaker scan and store all available FM radio stations in your area.
4. Once the scan is completed, your available stations will be saved automatically to your speaker.
5. Press the previous station or next station to select the preset station that you want to listen to.
6. Adjust the master volume as needed.

Using the Equalizer Mode:

Your speaker includes built-in equalizer presents to enhance the sound of your music. Press the equalizer button to scan through the available presets.

Using the Microphone Priority Mode:

Your speaker microphone is usually played at a lower volume than your device's music. However, in cases where you want the microphone to have more importance over the music, press the mic priority button. This will raise the volume of the microphone and lower the volume of the music.

Troubleshooting:

1. Unit does not Power On
 - a. Make sure your outlet has power.
 - b. Make sure the AC cable is completely inserted into the AC connection port .
2. Speaker does not make any sound
 - a. Make sure your speaker is powered ON correctly
 - b. Make sure the master volume is not all the way to the MIN mark.
 - c. Make sure your device is connected properly.
 - d. Make sure your device is playing the music and not in PAUSE mode.
 - e. Make sure that the volume on your device is between 50%-85%, and not on mute mode.
3. Microphone does not make any sound
 - a. Make sure your microphone is plugged into the 1/4" microphone input . Make sure the plug is completely inserted all the way.
 - b. Make sure the microphone is in the ON position and not in the OFF or MUTE position.
 - c. Make sure the microphone volume is not all the way to the MIN mark.
 - d. Make sure the master volume is not all the way to the MIN mark.
4. USB/SD media does not play
 - a. Make sure the USB/SD is formatted for FAT32 format.
 - b. Make sure the songs are in MP3 format, as the speaker will NOT play music in other formats.

Specifications for BP1491:

Input Voltage: 100V-240V AC, 50/60Hz

Speaker Size: Two 10" Woofers and Two 1" Tweeters

Frequency Response: 45Hz - 20kHz

Bluetooth Range: Up to 33' **

Radio Frequency Range: 87.0-108.0MHz

Specifications are subject to change without notice

The Bluetooth word mark and logos are owned by the Bluetooth SIG, Inc. and any use of such marks by Worldwide Accessories, Inc. is under license. All other product or company names are trademarks or registered trademarks of their respective owners.

All other trademarks are property of their respective companies.

WORLDWIDE ACCESSORIES, INC. LIMITED WARRANTY AND SERVICE:

Thank you for purchasing a Blaupunkt Powered Speaker! Your speaker comes with a one-year limited warranty on the speaker, and a 90-day limited warranty on the battery. Worldwide Accessories, Inc. will repair or replace this product if, due to defective parts or workmanship, it does not perform as specified. This warranty covers only repair or replacement of the product itself. This warranty is extended to the original consumer only. In no event does this warranty extend to instances where the product is damaged through uses for which it was not intended, misuse, mishandling, removal and/or re-installation, neglect, accident or tampering. In no event shall Worldwide Accessories, Inc. be liable for any indirect, incidental or consequential damages, or lost of profits arising out of or related to this product, or the performance or breach thereof, even if Worldwide Accessories, Inc. has been advised of the possibility thereof. Worldwide Accessories, Inc. liability to customer, if any, shall in no event exceed the total of the purchase price of the item. Some states do not permit the exclusion or limitation of incidental or consequential damages; therefore, sections of the above limitations or exclusions may not apply to you. If it is determined that your speaker is not covered by this warranty for any reason, then the purchaser will be responsible for any parts, labor, and shipping charges. Worldwide Accessories, Inc. reserves the right to change the design or update our products without notice. This warranty is in lieu of any other warranty, expressed or implied, including, but not limited to, any warranty of merchantability or fitness for any particular purpose. Any representations or promises inconsistent, or in addition to this warranty are unauthorized and shall not be binding on Worldwide Accessories, Inc.

RETURN INSTRUCTIONS:

If your speaker malfunctions during the warranty period of one calendar year (90 days for battery), contact our customer service department at (800) 438-1136 to obtain troubleshooting information. If troubleshooting assistance fails to remedy the problem, you will receive a return authorization # and instructions for sending your unit to our Service Center. Your return authorization number must be clearly visible and placed on the out-side of box when the unit is returned.

Enclose a copy of your original proof of purchase showing the original purchase date, along with detailed information describing the exact nature of your problem. Be sure to include your complete name, address, email address, daytime and evening contact numbers. In addition, please send a check or money order made payable to "Worldwide Accessories, Inc." for return freight amount (given to you by our service agents). All of the above must be included with your return, or your package will not be eligible for service under our warranty.

The customer is responsible for packing the speaker in it's original carton or equivalent, and for insuring, and shipping the unit to our service center. Please make sure to pack all accessories included with your speaker so that we can properly identify any issues. All freight cost to return the unit to Worldwide Accessories, Inc., are the responsibility of the customer. If your speaker is under warranty, then Worldwide Accessories, Inc. will at its sole discretion, exchange or repair the speaker without charge for parts and labor. The customer is responsible for return freight and should include a check or money order payable to "Worldwide Accessories, Inc." with your return for the return freight amount. Any shipments received without a Return Authorization number will be refused. For more details please contact our customer service department.

Manufactured By WorldWide Accessories, Inc.

PO Box 194, 244 Madison Ave.

New York, NY 10016

Tech Support: 1-800-751-3247

Techsupport@WorldWideAcc.com

FCC Statement

Changes or modifications not expressly approved by the party responsible for compliance could void the user's authority to operate the equipment.

This equipment has been tested and found to comply with the limits for a Class B digital device, pursuant to Part 15 of the FCC Rules. These limits are designed to provide reasonable protection against harmful interference in a residential installation. This equipment generates uses and can radiate radio frequency energy and, if not installed and used in accordance with the instructions, may cause harmful interference to radio communications. However, there is no guarantee that interference will not occur in a particular installation. If this equipment does cause harmful interference to radio or television reception, which can be determined by turning the equipment off and on, the user is encouraged to try to correct the interference by one or more of the following measures:

- Reorient or relocate the receiving antenna.
- Increase the separation between the equipment and receiver.
- Connect the equipment into an outlet on a circuit different from that to which the receiver is connected.
- Consult the dealer or an experienced radio/TV technician for help

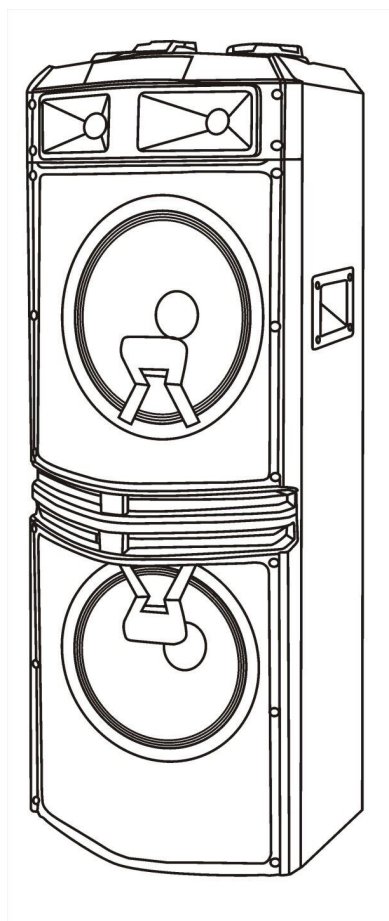
This device complies with part 15 of the FCC rules. Operation is subject to the following two conditions (1) this device may not cause harmful interference, and (2) this device must accept any interference received, including interference that may cause undesired operation.

This equipment complies with FCC radiation exposure limits set forth for an uncontrolled environment. This equipment should be installed and operated with minimum distance 20cm between the radiator & your body

BLAUPUNKT

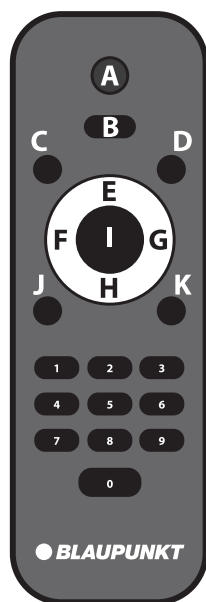
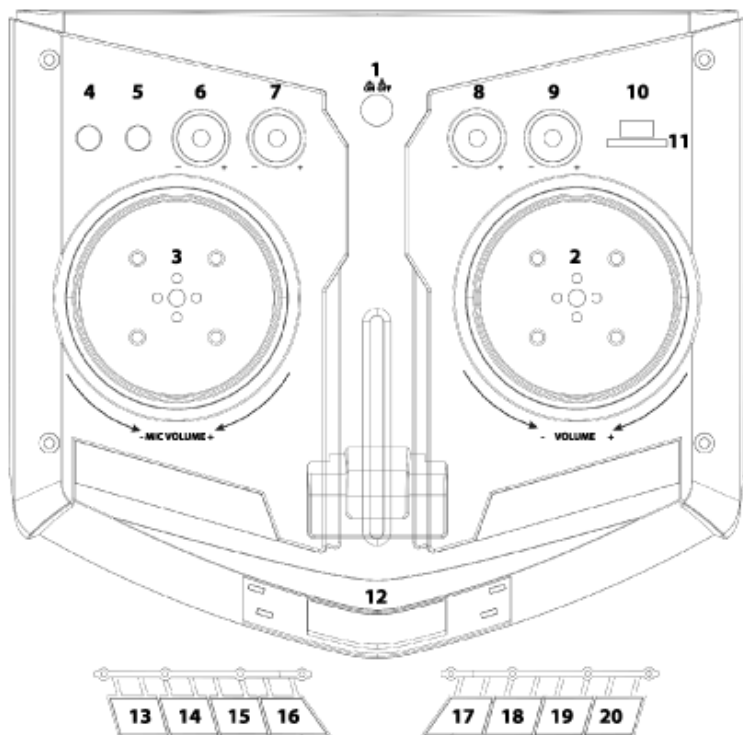
BP1491

Haut-parleur



**POR FAVOR CONSERVE ESTA GUÍA DE
INSTRUCCIONES PARA FUTURA REFERENCIA!**

Enjoy it.



Gracias por su compra de nuestra nueva bocina Blaupunkt. Esperamos que esté satisfecho con su compra. Por favor lea este manual de instrucciones cuidadosamente antes de utilizar la bocina.

Comprendiendo tu bocina

Por favor consulta la tabla a continuación para familiarizarte con los controles de tu bocina nueva.

1. Botón de encendido
2. Volumen maestro
3. Volumen del micrófono
4. Entrada de guitarra de ¼"
5. Entrada de micrófono de ¼"
6. Volumen de guitarra
7. Efecto de eco
8. Agudos
9. Bajos
10. Entrada USB
11. Entrada de tarjeta SD
12. Pantalla LCD
13. Grabar
14. Prioridad de micrófono
15. Ecuador
16. Repetir
17. Modo
18. Pista anterior/Estación anterior/Bajar volumen
19. Escaneo de Reproducción/Pausa/Estación
20. Siguiente pista/Siguiente estación/Subir volumen

Control remoto:

- A. Encendido
- B. Modo
- C. Alto
- D. Mute
- E. Subir volumen
- F. Pista anterior/Estación anterior
- G. Siguiente Pista/Estación Siguiente
- H. Bajar volumen
- I. Reproducir/Pausa
- J. Repetir
- K. Ecuador

Sobre tu bocina:

1. Tu bocina Blaupunkt tiene un amplificador incorporado y un mezclador de línea para controlar los dispositivos conectados a él. Por lo tanto, no necesitas un amplificador o mezclador por separado para poder utilizarlo. El amplificador está adecuadamente equilibrado para la salida de la bocina.
2. Tu bocina cuenta con Billboard y puede reproducir muchos dispositivos a través de sus múltiples entradas. Revisa con cuidado las entradas en tu modelo para entender mejor lo que es compatible con tu bocina

Encendiendo tu bocina:

1. Conecta el enchufe AC al puerto de conexión AC en la parte trasera de tu bocina.
2. Enchufa el adaptador AC a una tomacorriente vacía y cercana.
3. Presiona el botón de encendido en la posición ON [ENCENDIDO]. La pantalla LED debe iluminarse.
4. Ajusta el volumen maestro a la posición MIN antes de conectar un dispositivo.
5. ¡Estás listo para conectar tu dispositivo!

Conexión de su dispositivo BLUETOOTH™

Tu bocina puede reproducir casi todos los dispositivos Bluetooth simplemente emparejando el dispositivo con la bocina. Por favor sigue estos pasos para emparejar de manera adecuada tu dispositivo con tu bocina.

1. Presiona el botón de modo hasta que las palabras "BLUE [AZUL]" aparezcan en la pantalla LCD.
2. Ve a la sección de Bluetooth en tu dispositivo y selecciona "buscar dispositivos".
3. Busca el nombre del dispositivo de bocina "BP1491" y pon conectar.
4. Deberías escuchar una conexión de sonido en tu bocina y tu dispositivo debería mostrar "conectado".
5. Reproduce la música de tu dispositivo y ajusta el volumen de tu dispositivo.
6. Ajusta el volumen maestro en la bocina al nivel de volumen deseado.

Conectando tu micrófono con cable (no incluido):

1. Conecta tu micrófono con cable de ¼" a la entrada de micrófono ¼".
2. Asegúrate de que tu micrófono esté en la posición ON y habla normal.
3. Ajusta el volumen del micrófono al nivel de volumen que desees.
4. Ajusta el efecto de eco al efecto deseado.
5. Ajusta el volumen maestro según se requiera.

Conectando tu guitarra (u otro dispositivo de ¼") (no incluido):

1. Conecta tu enchufe de ¼" desde tu guitarra (u otro dispositivo) a la entrada de guitarra de ¼".

2. Asegúrate de que tu guitarra (u otro dispositivo) esté en la posición de ON.
3. Ajusta el volumen de la guitarra al nivel de volumen que desees.
4. Ajusta el volumen maestro según requieras.

Conectando tu dispositivo USB:

1. Conecta tu dispositivo USB (formato FAT32) o dispositivo USB a la entrada USB.
2. La pantalla LCD debería mostrar "USB".
3. El reproductor de MP3 incorporado a tu bocina debe reproducir automáticamente la próxima canción MP3 en tu dispositivo USB.
4. Ajusta el volumen maestro según requieras.
5. Presiona los botones de siguiente pista, pista anterior y reproducir/pausa según necesites.
6. Presiona rápidamente el botón de repetir si deseas que la canción actual se repita varias veces. Presiónalo una vez más para finalizar la función de repetición.

Conectando tu tarjeta SD:

1. Inserta tu tarjeta SD (formato FAT 32) en la entrada de la tarjeta SD.
2. La pantalla LCD debería mostrar "SD".
3. El reproductor MP3 incorporado a tu bocina debería reproducir automáticamente la próxima canción en MP3 de tu tarjeta SD.
4. Ajusta el volumen maestro según requieras.
5. Presiona los botones de siguiente pista, la pista anterior y reproducir/pausa según necesites.
6. Presiona rápidamente el botón de repetir si quieres que la canción actual se repita varias veces. Presiónalo una vez más para finalizar la función de repetición.

Grabando en tu dispositivo USB:

1. Inserta tu dispositivo USB (formato FAT32) en la entrada USB.
2. Mantén presionado el botón de grabar hasta que escuches un beep que indica el inicio de la grabación.
3. Reproduce tus dispositivos de música y utiliza el micrófono según lo dispongas y tus voces se grabarán en el dispositivo USB.
4. Para detener la grabación, deja presionado el botón de grabar una vez más hasta que escuches un beep.
5. Tu grabación se guardará en tu dispositivo USB.

Reproduciendo música desde la radio FM incorporada:

1. Presiona el botón de modo hasta que aparezca "FM" en la pantalla LCD.
2. Extiende tu antena FM en la parte trasera de tu bocina según necesites para una mejor recepción de radio.

3. Presiona el botón de escaneo Reproducir/Pausa/Estación para que la bocina escanee y almacene todas las estaciones de radio FM disponibles en tu área.
4. Una vez completado el escaneo, las estaciones disponibles se guardarán automáticamente en tu bocina.
5. Presiona la estación anterior o la estación siguiente para elegir la emisora preestablecida que quieras escuchar.
6. Ajusta el volumen maestro según requieras.

Usando el modo ecualizador:

Tu bocina también incluye un ecualizador incorporado para mejorar el sonido de tu música. Presiona el botón ecualizador para escanear a través de los preajustes disponibles.

Usando el modo de prioridad de micrófono:

El micrófono de tu bocina usualmente se reproduce a un volumen más bajo que la música de tu dispositivo. Sin embargo, en los casos en que desees que el micrófono tenga más importancia sobre la música, presiona el botón de prioridad de micrófono. Esto aumentará el volumen del micrófono y reducirá el volumen de la música.

Solución de problemas:

1. La unidad no enciende
 - a. Asegúrate de que tu toma tenga energía.
 - b. Asegúrate de que el cable AC esté completamente insertado en el puerto de conexión AC.
2. La bocina no emite ningún sonido
 - a. Asegúrate de que tu bocina se haya encendido correctamente en ON.
 - b. Asegúrate de que el volumen maestro no llegue a la marca MIN.
 - c. Asegúrate de que tu dispositivo esté conectado adecuadamente.
 - d. Asegúrate de que tu dispositivo esté reproduciendo música y no en modo PAUSA.
 - e. Asegúrate de que el volumen de tu dispositivo esté entre 50% -85% y no en modo silencio.
3. El micrófono no hace ningún sonido
 - a. Asegúrate de que tu micrófono esté enchufado a la entrada de micrófono de ¼". Asegúrate de que el enchufe esté completamente enchufado hasta el final.
 - b. Asegúrate de que el micrófono esté en la posición ON y no en la posición OFF o MUTE.

- c. Asegúrate de que el volumen del micrófono no llegue a la marca MIN.
 - d. Asegúrate de que el volumen maestro no llegue a la marca MIN.
4. Los medios USB/SD no se reproducen
- a. Asegúrate de que el USB/SD esté formateado para el formato FAT32.
 - b. Asegúrate de que las canciones estén en formato MP3, puesto que la bocina NO reproducirá música para otros formatos.

Especificaciones para BP1491:

Voltaje de entrada: 100V-240V AC, 50/60Hz

Tamaño de la bocina: dos woofers de 10" y dos tweeters de 1"

Respuesta de frecuencia: 45Hz – 20kHz

Alcance de Bluetooth: hasta 33' **

Rango de frecuencia de radio: 87.0 – 108.0MHz

Especificaciones sujetas a cambios sin previo aviso

La marca y logotipos de Bluetooth son propiedad de Bluetooth SIG, Inc. y cualquier uso de ellas por Worldwide Accessories, Inc. se encuentra bajo licencia. Todos los demás productos o nombres de compañías son marcas comerciales o marcas comerciales registradas de sus respectivos dueños.

Todas las demás marcas comerciales son propiedad de sus respectivas compañías.

WORLDWIDE ACCESSORIES, INC. GARANTÍA Y SERVICIOS LIMITADOS:

¡Gracias por comprar un Altavoz Amplificado Blaupunkt! Su Altavoz cuenta con una garantía limitada de un año; o en el altavoz y una garantía limitada de 90 días en la batería. Worldwide Accessories, Inc. podrá reparar o reemplazar el producto si, debido a defectos en las piezas o manufactura, no funciona según lo especificado. Esta garantía solamente cubre reparación o reemplazo del mismo producto. Esta garantía será extendida exclusivamente al comprador original. En ningún caso esta garantía se extiende a situaciones donde el producto es dañado a través de usos para los cuales no fue especificado, mal uso, mal manejo, eliminación o reinstalación, negligencia, accidente o manipulación. En ningún caso Worldwide Accessories, Inc. será responsable por cualquier daño consecuente, indirecto o incidental o pérdida de beneficios que surjan de o relacionados con este producto o con el cumplimiento o incumplimiento del mismo, incluso si Worldwide Accessories, Inc. ha sido advertido de la posibilidad de los mismos. La responsabilidad de Worldwide Accessories, Inc. hacia el consumidor, en ningún caso podrá exceder el monto total por el precio del producto. Algunos estados no permiten la exclusión o limitación de daños consecuentes o incidentales; Por lo tanto, secciones de las limitaciones o exclusiones mencionadas anteriormente, pueden o no aplicar hacia usted. Si se determina por cualquier razón que su altavoz no será cubierto por la garantía, el comprador será responsable por cualquier pieza, mano de obra y tarifas de envío. Worldwide Accessories, Inc. se reserva el derecho de cambiar el diseño o actualizar nuestros productos sin previo aviso. Esta garantía reemplaza a cualquier otra garantía, expresa o implícita, incluyendo, pero no limitada a cualquier garantía de comerciabilidad o adecuación para un propósito en particular. Cualquier declaración o promesa inconsistente, o además de esta garantía, no están autorizadas y no serán vinculadas a Worldwide Accessories, Inc.

INSTRUCCIONES DE DEVOLUCIÓN:

Si su Altavoz presenta mal funcionamiento durante el periodo de garantía de un año calendario (90 días para la batería), contacte con nuestro departamento de Servicio al Cliente al teléfono (800) 438-1136 para obtener información de resolución de problemas. Si la asistencia para la resolución de problemas falla en resolver su problema, usted recibirá un # de autorización de devolución e instrucciones para enviar su unidad a nuestro Centro de Servicio. El # de autorización de devolución deberá estar claramente visible y colocado en la parte exterior de la caja cuando la unidad sea devuelta. Incluya una copia de su comprobante de compra original, demostrando la fecha de compra original, junto con la información detallada describiendo con exactitud la naturaleza de su problema. Asegúrese de incluir su nombre completo, dirección, correo electrónico y números de contacto. Además, por favor envíe un cheque o giro postal a nombre de "Worldwide Accessories, Inc." por las tarifas de transporte para la devolución (asignado por nuestros agentes de servicio). Todo lo anterior deberá ser incluido en su devolución, de lo contrario su paquete no será candidato para servicio dentro de nuestra garantía.

El consumidor es responsable de empaquetar el Altavoz en su empaque original o equivalente, de asegurar y enviar la unidad a nuestro Centro de Servicio. Asegúrese de incluir dentro del paquete todos los accesorios incluidos con su Altavoz de modo que podamos identificar cualquier problema. Todas las tarifas de envío para devolver la unidad a Worldwide Accessories, Inc. son responsabilidad del cliente. Si su Altavoz se encuentra dentro de garantía, entonces Worldwide Accessories, Inc. a su discreción, reemplazará o reparará el Altavoz sin ningún cargo por piezas o mano de obra. El cliente es responsable por las tarifas de reenvío y deberá incluir un cheque o giro postal a nombre de Worldwide Accessories, Inc. Cualquier paquete recibido sin el # de Autorización de Devolución será rechazado. Para más detalles por favor contactar a nuestro departamento de Servicio al Cliente

Fabricado por WorldWide Accessories, Inc.
PO Box 194, 244 Madison Ave. New York, NY 10016
Apoyo técnico: 1-800-751-3247
Techsupport@WorldWideAcc.com