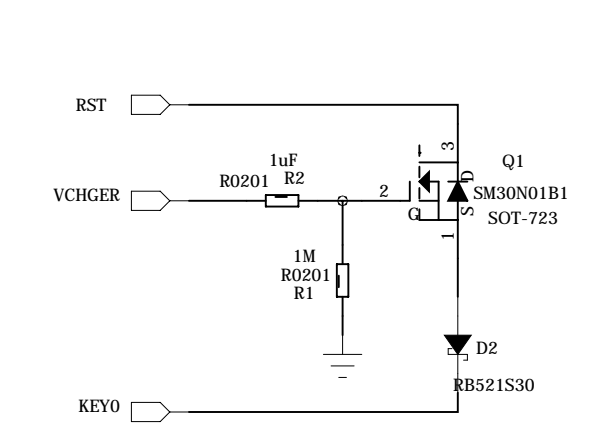
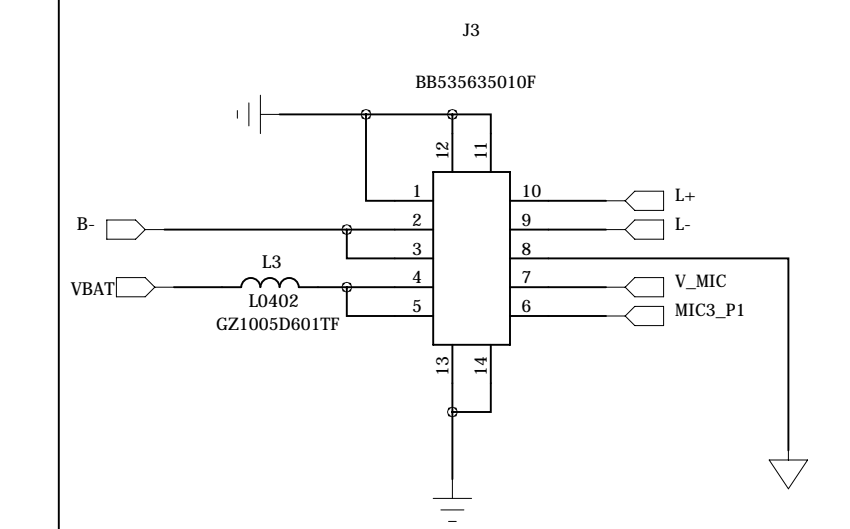


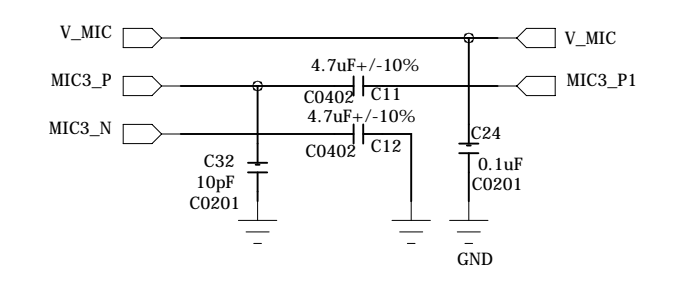
REST



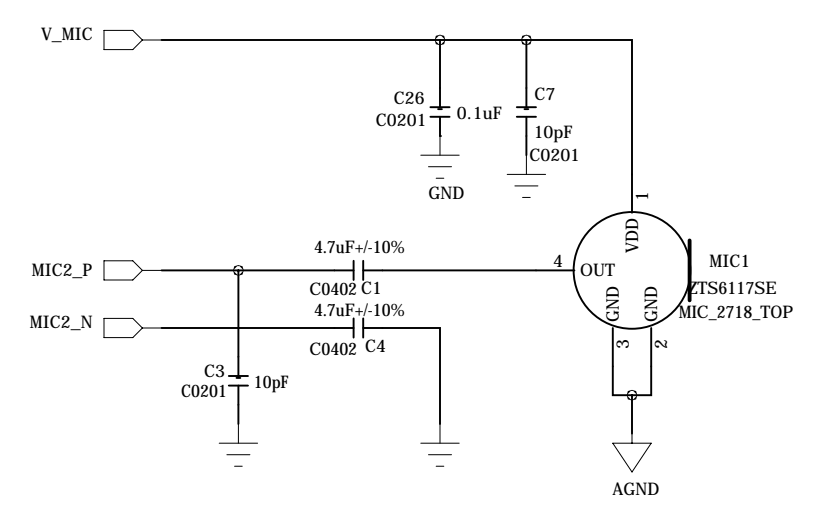
FPC Connector



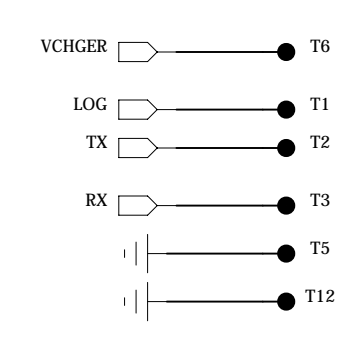
MIC3 For ANC FB



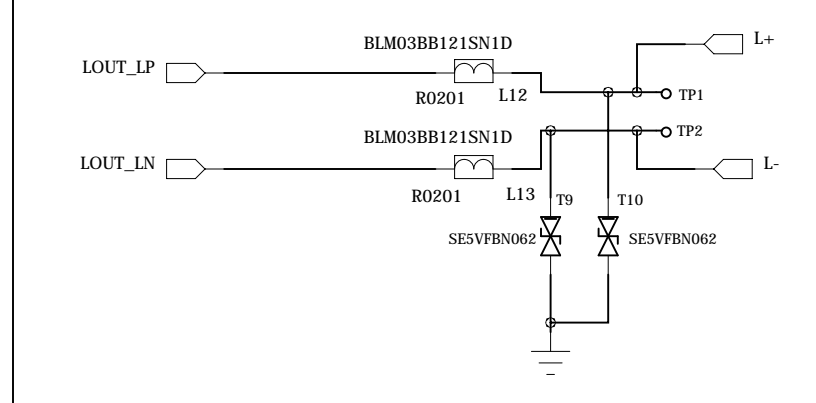
MIC2 For ANC FF



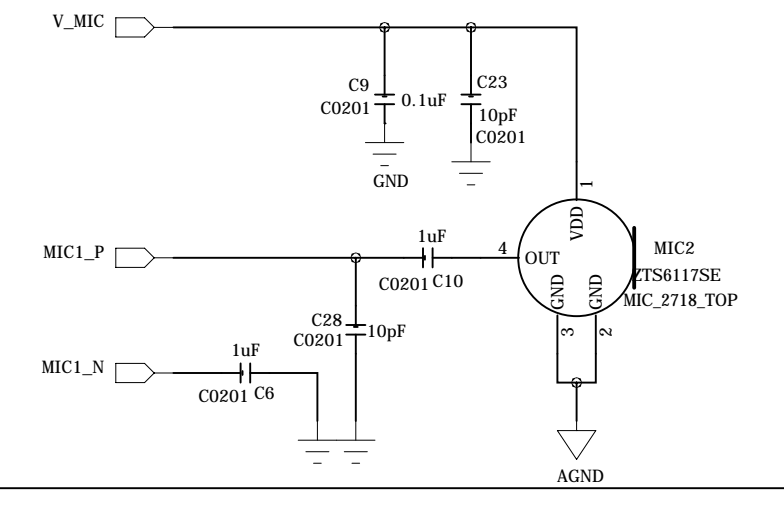
TEST POINT



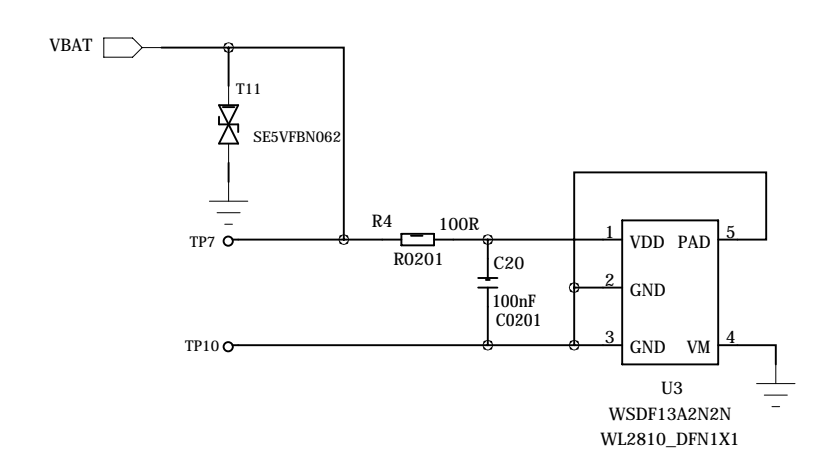
L_OUT_SPK



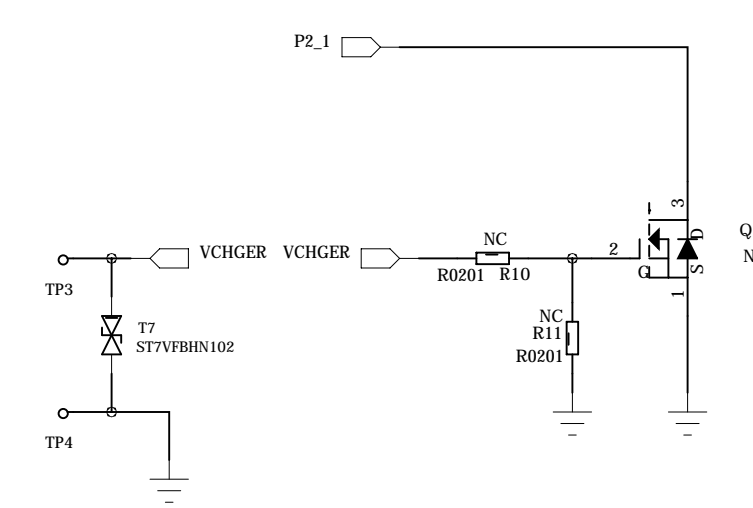
MIC1 For Talk



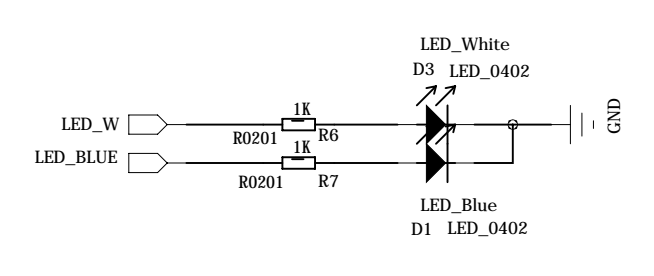
Lithium-ion Battery protection



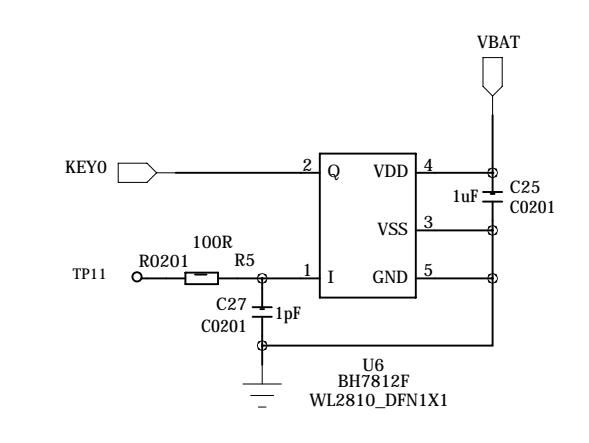
Charger



LED



TOUCH KEY



NTC

