

DONGGUAN CITY NATIONAL ELECTRONICS TECHNOLOGY CO., LTD

SPECIFICATION FOR APPROVAL

CUSTOMER: Shenzhen beiliqi Electronic Technology Co., Ltd


FILE NO: 3-122DX01010AA-053

CUSTOMER PART NO: Ultra thin A11 transmitting coil

DESCRIPTION: A11 $\Phi 20.5 * \Phi 43.5 \Phi 0.08 * 24P * 2S$ Self adhesive
copper wire*10TS
 $\Phi 43.5 * T0.8$ LP:6.3UH Lead length 7MM

PART NO: NSBLQ CBA1118-6.3UH-006

FOR ENGINEER DEPARTMENT APPROVED

REV.	DESCRIPTION	DATE	REVISED PAGE	PREPARED BY
AA	FIRST ISSUE	2022/8/25		
NON RoHS <input type="checkbox"/>		RoHS <input checked="" type="checkbox"/>		
DRAWING		CHECKED	APPROVED	
Wang He		Cao Shaoping		

PLEASE RETURN TO US ONE COPY OF, , SPECIFICATION FOR APPROVAL, , WITH YOUR APPROVED SIGNATURES

CUSTOMER, S SIGNATURE

<input type="checkbox"/>	<input type="checkbox"/>	<input type="checkbox"/>
FULL APPROVED	CONDITIONAL APPROVED	REJECTED
CHECKED	APPROVAL	APPROVED

COMPANY ADD: 4th floor, building B, SHENTE Industrial Zone, No. 38, Ling'an street, Lingxia village, Liaobu Town, Dongguan City, Guangdong Province

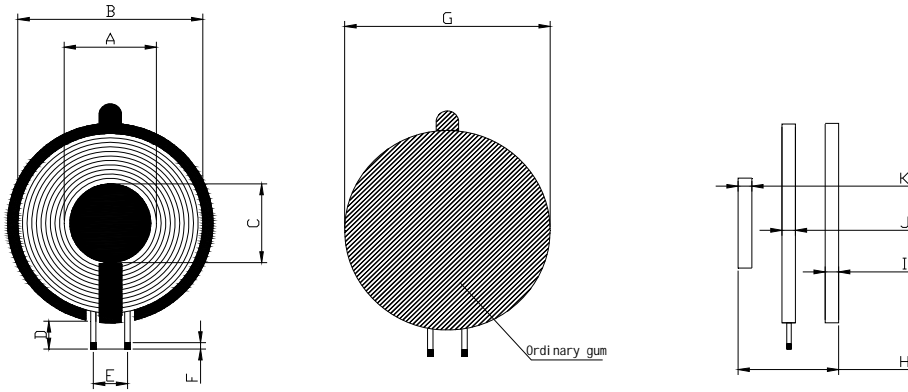
TEL: 0769-81008683 FAX: 0769-81008683

E-Mail:W13712162753@163.com

SPECIFICATION FOR APPROVAL

PART NO	Ultra thin A11 transmitting coil	MODEL	A11 $\Phi 20.5^* \Phi 43.5 \Phi 0.08^* 24P^* 2S$ Self adhesive copper wire $\Phi 10TS$ $\Phi 43.5^* T0.8 LP: 6.3UH$ Lead length 7MM	REV	AA
Product Name	Wireless charging and transmitting coil	DRAWING NO	NSBLQ CBA1118-6. 3UH-006	DOC TYPE	NS-026

1. CONSTRUCTION DIMENSION (UNIT: mm)



A	20.5±0.5
B	MAX43.0
C	18.0±0.5
D	7.0±1.0
E	REF.7.0+/-1.0
F	3.0±1.0
G	43.5±1.0
H	1.60MAX
I	0.8±0.10
J	0.6±0.1
K	0.5±0.05

- REMARK: 1. D is the length of the outer lead of the magnetic piece
- 2. J does not include incoming line;
- 3. H contains centrifugal paper

2. WINDING CONSTRUCTION:

ORDER 顺序	S----F	WIRE SIZE	TURNS	WDG. TYPE	WDG. DIRECTION	High temperature adhesive tape 5.0mm	NOTES 说明
N1	S--F	$\Phi 0.08^* 24P^* 2S$ Magnet wire	10TS	Closely wound	C. C. W	5MM	onelayer

3. ELECTRICAL SPEC

(1). INDUCTANCE TEST: AT 100KHZ , 1.0Vrms (CHEN HWA1062)

Coil: L: (S--F) = 4.0uH ± 10%

Coil+Magnetic disc: L: (S--F) = 6.3uH ± 10%

(2) .Q Value: 45 MIN

APPROVED BY	CHECKED BY	PREPARED BY
Wang Xiuming	Cao Shaoping	Wang He

SPECIFICATION FOR APPROVAL

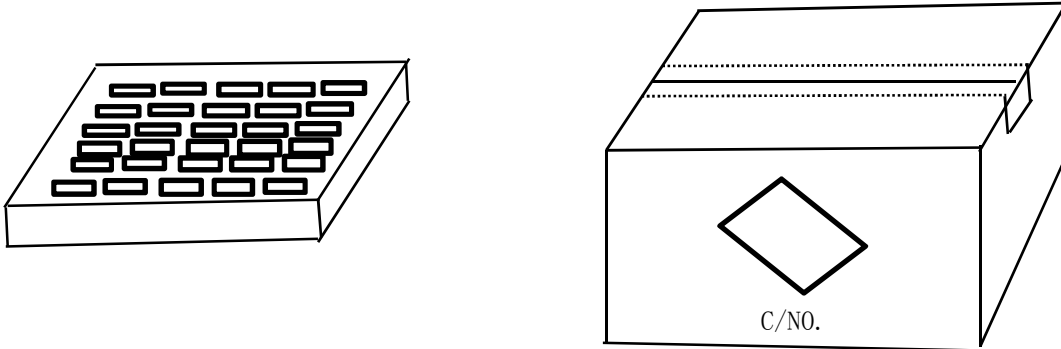
PART NO	Ultra thin A11 transmitting coil	MODEL	A11 Φ 20.5* Φ 43.5 Φ 0.08*24P*2S Self adhesive copper wire*10TS Φ 43.5* Φ 0.8 LP:6.3UH Lead length 7MM	REV	AA
Product Name	Wireless charging and transmitting coil	DRAWING NO	NSBLQ CBA1118-6. 3UH-006	DOC TYPE	NS-026

4. MATERIAL LIST:

NO.	Material name	Description	Temperature resistance grade	Supplier	Remark
1	Ferrite	T43.5*0.8, With Hole, Double groove belt (L type)	230°C	HUIZHOU HUIBOCHENG MAGNET CO LTD	
2	WIRE	Φ 0.08*24P Self adhesive copper wire	180°C	SHENZHEN FUSHIFAYING TECHNOLOGY CO., LTD	
3	Double faced adhesive tape	42*0.08H	150°C	DONGGUAN YANNIU MATERIAL CO., LTD	
4	High temperature adhesive tape	5MM	180°C	DONGGUAN YANNIU MATERIAL CO., LTD	
5	Solder bar	Sn0.7Cu	350°C	HUIZHOU YUEXING METAL MATERIAL CO., LTD	
6	Glue	JS-E103 White glue	180°C	DONGGUAN YIHENG ELECTRONISCS TECHNOLOGY CO., LTD	
7	Scaling powder	LC700	80°C	HUIZHOU YUEXING METAL MATERIAL CO., LTD	

5. PACKING Mode:

1. PACKING PICTURES:



2. PACKING QUANTITIES:

Item	Quantity	Material	Remark
Box	400pcs	270*380*60	
Big Carton	1200pcs	280*395*200	

APPROVED BY	CHECKED BY	PREPARED BY
Wang Xiuming	Cao Shaoping	Wang He