

DONGGUAN CITY NATIONAL ELECTRONICS TECHNOLOGY CO., LTD

SPECIFICATION FOR APPROVAL

CUSTOMER: Shenzhen beiliqi Electronic Technology Co., Ltd


FILE NO: 3-122DX01010AA-054

CUSTOMER PART NO: All transmitting coil

DESCRIPTION: A11 $\Phi 16*\Phi 40$ $\Phi 0.08*105P$ Wire wrapped copper wire*10TS
 $\Phi 43.5*T0.8$ LP:6.3UH Lead length 11MM

PART NO: NSBLQ CBA1116-6.3UH-008

FOR ENGINEER DEPARTMENT APPROVED

REV.	DESCRIPTION	DATE	REVISED PAGE	PREPARED BY
AA	FIRST ISSUE	2022/8/25		
NON RoHS <input type="checkbox"/>		RoHS <input checked="" type="checkbox"/>		
DRAWING		CHECKED	APPROVED	
Wang He		Cao Shaoping		

PLEASE RETURN TO US ONE COPY OF, , SPECIFICATION FOR APPROVAL, , WITH YOUR APPROVED SIGNATURES

CUSTOMER, S SIGMATURE

<input type="checkbox"/>	<input type="checkbox"/>	<input type="checkbox"/>
FULL APPROVED	CONDITIONAL APPROVED	REJECTED
CHECKED	APPROVAL	APPROVED

COMPANY ADD: 4th floor, building B, SHENTE Industrial Zone, No. 38, Ling'an street, Lingxia village, Liaobu Town, Dongguan City, Guangdong Province

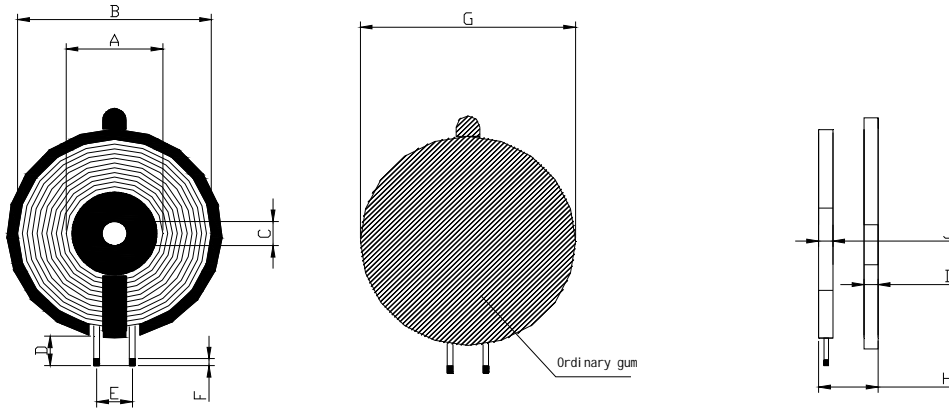
TEL: 0769-81008683 FAX: 0769-81008683

E_Mail:W13712162753@163.com

SPECIFICATION FOR APPROVAL

PART NO	A11 transmitting coil	MODEL	A11 $\Phi 16 \times \Phi 40 \Phi 0.08 \times 105P$ Wire wrapped copper wire*10TS $\Phi 43.5 \times T0.8$ LP:6.3UH Lead length 11MM	REV	AA
Product Name	Wireless charging and transmitting coil	DRAWING NO	NSBLQ CBA1116-6.3UH-008	DOC TYPE	NS-026

1. CONSTRUCTION DIMENSION (UNIT:mm)



A	16.0±0.5
B	MAX42.0
C	5.3±0.1
D	11.0±1.0
E	REF.7.0+/-1.0
F	3.0±1.0
G	43.5±1.0
H	2.40MAX
I	1.0±0.10
J	1.25±0.1

- REMARK: 1. D is the length of the outer lead of the magnetic piece
- 2. J does not include incoming line;
- 3. H contains centrifugal paper

2. WINDING CONSTRUCTION:

ORDER 顺序	S----F	WIRE SIZE	TURNS	WDG. TYPE	WDG. DIRECTION	High temperature adhesive tape 5.0mm	NOTES 说明
N1	S--F	$\Phi 0.08 \times 105P$ Wire wrapped copper wire	10TS	Closely wound	C. C. W	5MM	onelayer

3. ELECTRICAL SPEC

(1). INDUCTANCE TEST: AT 100KHZ , 1.0V_{rms} (CHEN HWA1062)

Coil: L:(S--F)=4.0uH±10%

Coil+Magnetic disc: L:(S--F)=6.3uH±10%

(2) .Q Value: 45 MIN

APPROVED BY	CHECKED BY	PREPARED BY
Wang Xiuming	Cao Shaoping	Wang He

SPECIFICATION FOR APPROVAL

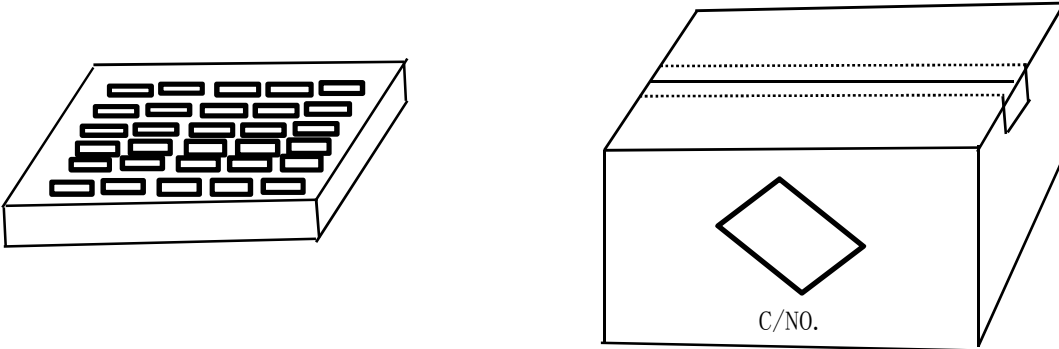
PART NO	A11 transmitting coil	MODEL	A11 $\Phi 16 \times \Phi 40 \Phi 0.08 \times 105P$ Wire wrapped copper wire*10TS $\Phi 43.5 \times T0.8$ LP:6.3UH Lead length 11MM	REV	AA
Product Name	Wireless charging and transmitting coil	DRAWING NO	NSBLQ CBA1116-6.3UH-008	DOC TYPE	NS-026

4. MATERIAL LIST:

NO.	Material name	Description	Temperature resistance grade	Supplier	Remark
1	Ferrite	T43.5*0.8, With Hole, Double groove belt (L type)	230℃	HUIZHOU HUIBOCHENG MAGNET CO LTD	
2	WIRE	$\Phi 0.08 \times 105P$ Wire wrapped copper wire	180℃	SHENZHEN FUSHIFAYING TECHNOLOGY CO., LTD	
3	Double faced adhesive tape	42*0.08H	150℃	DONGGUAN YANNIU MATERIAL CO., LTD	
4	High temperature adhesive tape	5MM	180℃	DONGGUAN YANNIU MATERIAL CO., LTD	
5	Solder bar	Sn0.7Cu	350℃	HUIZHOU YUEXING METAL MATERIAL CO., LTD	
6	Glue	JS-E103 White glue	180℃	DONGGUAN YIHENG ELECTRONISCS TECHNOLOGY CO., LTD	
7	Scaling powder	LC700	80℃	HUIZHOU YUEXING METAL MATERIAL CO., LTD	

5. PACKING Mode:

1. PACKING PICTURES:



2. PACKING QUANTITIES:

Item	Quantity	Material	Remark
Box	400pcs	270*380*60	
Big Carton	1200pcs	280*395*200	

APPROVED BY	CHECKED BY	PREPARED BY
Wang Xiuming	Cao Shaoping	Wang He