

Specification for Approval

Customer: _____
Customer Part No.: TNU222ALUNITFF
Supplier: Fuda Semiconductor (Hefei) Co., Ltd
Spec description: _____
Supplier Part No.: J-FDIMPPNU222FF
Date: 2024/1/28
Version: A.0
Draw: _____

Supplier Approve		Customer Approve
EE Confirm by	PE Confirm by	
QE Confirm by	Approval by	

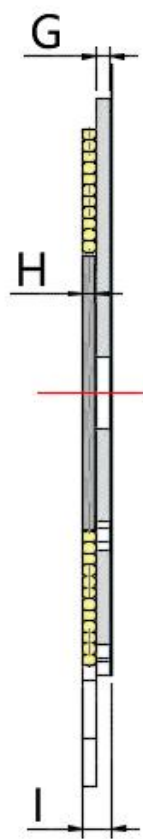
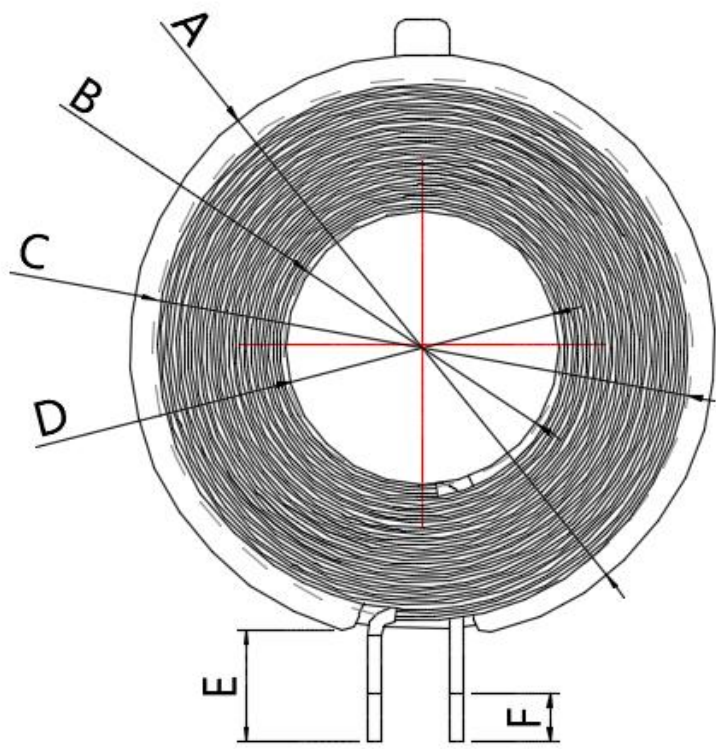
Version Change History

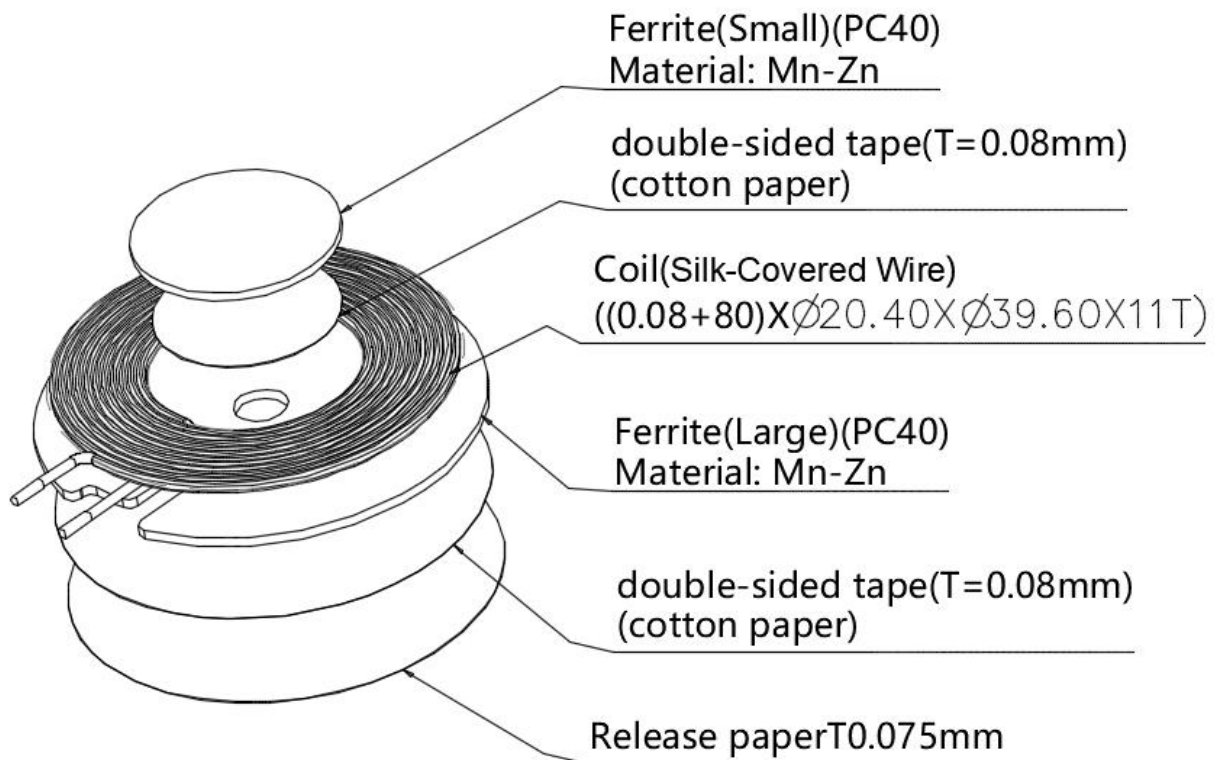
Revision	Before change	After change	Date	Approval by
A.0	—	Initial Release	2024/1/28	

1. Manufacturer information

Items	Manufacturer name	Approval
The first resource	JIOU	Robin
The second resource		

2. Dimension specification





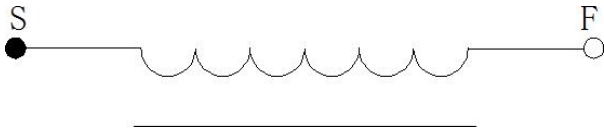
单位(Unit):毫米(mm)

A	B	C	D	E	F	G
42.9±0.5	20 ^{+0.25} _{-1.2}	39±1	20.4±0.1	8±1	4±1	1.0±0.1
H	I					
0.95 ^{+0.1} _{-0.05}	2.1±0.1					

注:

1. Do not attach high-temperature tape to coil leads
2. The "I" size includes the thickness of the double-sided tape but does not include the thickness of the release paper
3. The ferrite is a flat ferrite made of two large and small ferrites glued together with double-sided adhesive

3. Schematic diagram



4. Electronic character

TEMPERATURE: 25±10°C RELATIVE HUMIDITY : 65±20%
 RATED POWER: 15W RATED CURRENT: 1.66A
 TEMPERATURE LIMITATION: 130°C

TIEM	SPECIFICATION	TEST FREQUENCY	TEST EQUIPMENTS
IND	8.1UH±5%	100 KHZ/1.0V	LCRMETRTH2830N
DCR	50mΩ±10%	\	PH2511S
Q	90±10%	100 KHZ/1.0V	LCRMETRTH2830N
Operating Temperature and Humindity		-30°C~80°C / 30%~90%	
Storage Temperature and Humindity		-40°C~90°C / 30%~90%	

5. Coil specification

Turns	Wire Dia.	Wdg. Type Spred/Close	Wdg.Direction	Intersect Yes/Not	Coil Positive/Anti Paste
11T S	0.08*80P (Silk-Covered Wire)	Close	Anticlockwise	Not	Anti-/Paste

6. Bill of materials

number	Material name	Description	Material Code
1	Wire	0.08*80P (Silk-Covered Wire)	
2	Ferrite(Small)	φ20*1.0H	
3	Ferrite(large)	φ42.9*1.0H	
4	Adhesive	JS-E103	

5	Double sides adhesive tape	COTTON PAPER $\phi 40.5$ T=0.08	
---	----------------------------	---------------------------------	--