

Specificity For Approval

Approval No. : _____

Customer Name: _____ SHENZHEN ZHIZE TECHNOLOGY CO.,LTD.

Product Name: _____ Wireless charging coil

Product Specification: _____ Coil G50 6.3UH ± 10% lead length: 20MM ± 1 A11 single hole double groove back 3M adhesive thickness 2.8MM

Customer P/N: _____ 0404037-000003

Timcof making table: _____ 2022-8-27

Supplier	HSF BY	Tested By	CHECKED BY	Approved By	DELIVER DATE
		Duan Jiawang	Wu Xianmei	Xie Xiaozai	

ZHIZE	HSF BY	Tested By	CHECKED BY	Approved By	Acceptance Date

Product category description item (Appearance contact parts Non appearance contact parts Battery Packaging materials Other): Category selected by Zhize R&D

Environmental requirements: Europe: RoHS 2.0, REACH (SVHC, Appendix 17), POPs, Packaging Directive, Battery Directive US: CP65, TSCA, Packaging Act (TPCH), Battery Act China: China RoHS Other: Note: All materials must comply with the Shize Hazardous Substance Management Standards. If there is a conflict between Shize environmental requirements and regulatory requirements, the latest official version published by the country or local authorities shall prevail.

Special note: Shenzhen Zhize Technology Co., Ltd. (referred to as "Zhize") only tests a portion of the sample content. The samples sent by the supplier to Zhize should not only meet the requirements of the recognition letter, but also comply with national standards, industry standards, enterprise standards, safety certification requirements, and HSF environmental regulations of various countries. If there is inconsistency between the above standards, the higher standard shall prevail. If there is any inconsistency, the corresponding responsibility shall be borne by the supplier. Zhize's sample signing behavior cannot serve as a basis for suppliers to exempt themselves from responsibility for the quality of supplied products and HSF environmental issues.

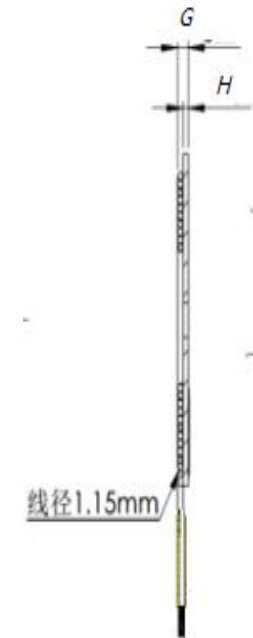
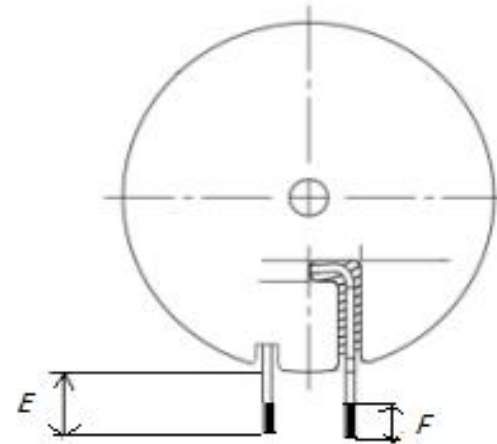
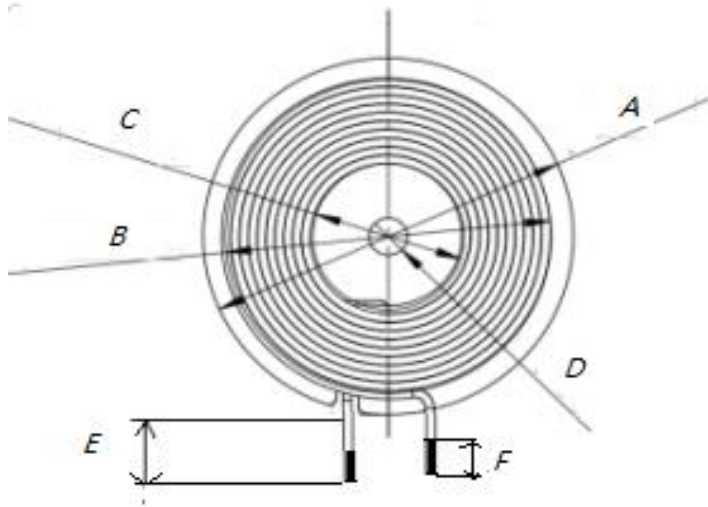
Final recognition result: Compliant Conditional recognition Non compliant

Remarks:

Address: (Supplier's Address) No. 1165 Guanguan Road, Guanlan Street, Longhua District, Shenzhen

Tel: 18688713269

Email: 1330470898@qq.com

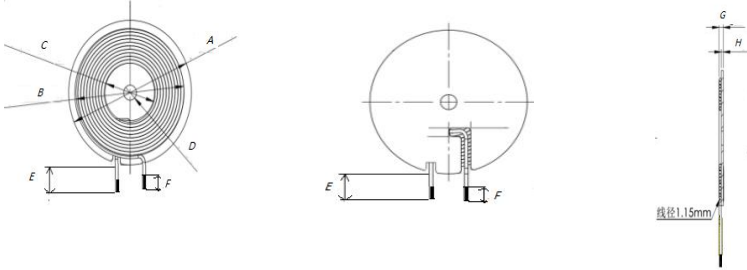


Note: Wrap 6MM (Min) high-temperature adhesive tape around the coil outlet position

STD	A	B	C	D	E	F	G	H	
STD	50.0 ± 1	42.5 ± 1.5	20.5 ± 1.5	5 ± 0.5	20 ± 2	2-5	2.6Max	1.0 ± 0.15	

Shenzhen Shengguang Electronic Technology Co., LTD

Sample inspection report

Product name and specifications		SG-A11-6.3UH		Sampling inspection	Sampling date	2022-8-27		Shipment determination	OK/NG
standards and	Testing standards			MIL-STD-105E-II		Judgment criteria		CR=0 MA=0.25 MI=0.65	
	Key points of size inspection			Within the tolerance range required by the drawing					
	Key points of appearance inspection			1. Copper tubes are smooth and surface electroplated. 2. Plastic edge, surface, color difference. 3. Copper shavings. 4. Have you made any mistakes.					
	Measurement instruments and standards			1. High voltage tester: High voltage withstand voltage tester AC500V, leakage current of 0.5MA for one minute without any abnormalities. Insulation tester: Insulation impedance test 100M Ω without any abnormalities. 2. Meets GP ROHS requirements.					
									
Number	Checked		Inspection tools	Test results					determine
	project	specifications		1	2	3	4	5	
1	A	50 ± 1	Centimeter card	49.84	49.88	49.96	49.87	49.85	OK
2	B	42.5 ± 1.5	Centimeter card	42.71	42.78	42.74	42.71	42.66	OK
3	C	20.5 ± 1.5	Centimeter card	20.53	20.63	20.57	20.73	20.63	OK
4	D	5 ± 0.5	Centimeter card	5.48	5.39	5.37	5.41	5.39	OK
5	E	20 ± 2	Centimeter card	21.01	21.02	20.03	20.02	20.00	OK
6	F	2-5	Centimeter card	3.61	3.59	3.58	3.60	3.61	OK
7	G	2.6Max	Centimeter card	2.54	2.53	2.56	2.55	2.55	OK
8	L (uH)		CH1068	6.44	6.41	6.48	6.46	6.44	OK
9	DCR (m Ω)		502BC	38.40	38.20	38.00	38.23	38.60	OK
10	High voltage resistance AC500V		Electricity meter	OK	OK	OK	OK	OK	OK
11	Insulation impedance DC500V		Electricity meter	OK	OK	OK	OK	OK	OK
12	exterior		Visual inspection	OK	OK	OK	OK	OK	OK
13	Does it meet GP ROHS requirements			<input checked="" type="checkbox"/> Yes <input type="checkbox"/> No					
Inspector		Duan Jiawang				ratify		Xie Xiaozai	