

Wireless charging coil

Specifications

一、 Summary:

Item : Coil;

Model Name: A11+NTC+PET 6.7uH;

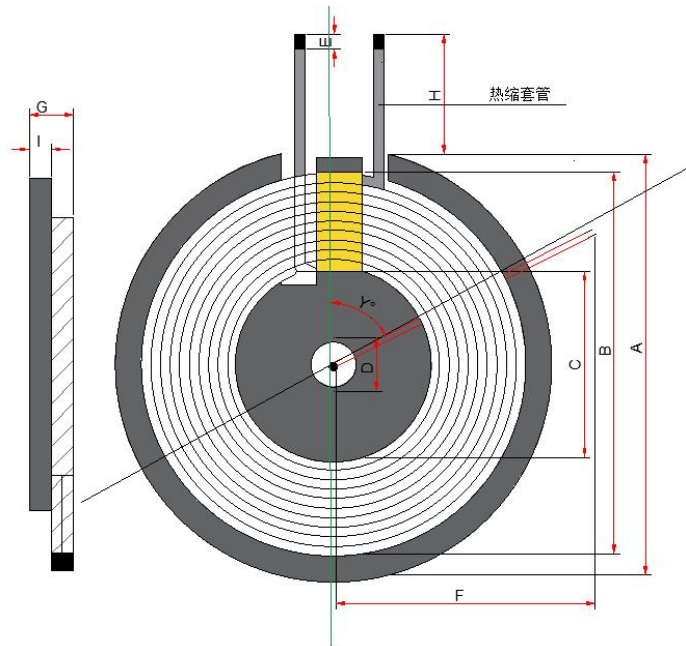
Inductance: 6.7UH +/-10%;

Impedance: 45m Ω Max;

Quality Value: 70 Min;

Test Frequency: 100KHz,1V;

二、 Drawing:



Care: Y: NTC:B3950 10K 1%

STD	A	B	C	D	E	F	G	H	I	Y
	50.0±1	42.5±1.5	20.5±1.2	5±0.5	2-5	35-40	2.6Max	6.5±1.5	1.0±0.15	75°--85°

Unit: mm