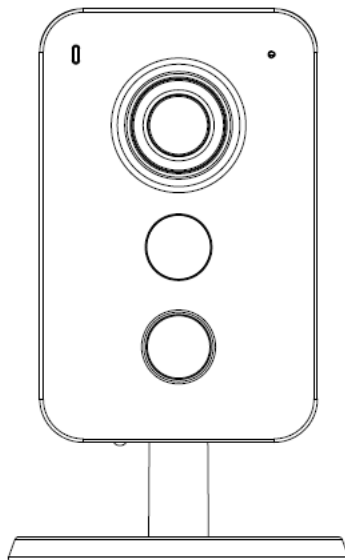




Quick Start Guide
Digital IP Camera
Model ID: EN-CCUC-002a



Information for Users on Collection and Disposal of Old Equipment and used Batteries within the European Union



These symbols on the product's, packaging or accompanying documents indicate that used electrical and electronic products and batteries should not be disposed together with household waste.

For more information about collection and recycling of old products and batteries, please contact your dealer, point of sale or local municipality. In accordance with national legislation, penalties may be applicable for incorrect disposal of this waste.

Information for disposal in Countries outside the European Union

This symbol is only applicable in the European Union. When discarding these items please contact your dealer or local authorities for further information regarding the correct method of disposal.

Eagle Eye Networks, declares that this equipment is in compliance with the essential requirements and relevant provisions.

Declarations of Conformity for the relevant products described in this manual are available by sending a written request to:

Eagle Eye Networks B.V.
Hoghilweg 19
1101 CB, Amsterdam
The Netherlands



Note:

- This quick start guide is for reference only.
- All designs shown are subject to change without prior written notice.
- All trademarks and registered trademarks mentioned are the properties of their respective owners.
- Please visit our website www.EagleEyeNetworks.com or contact your local service engineer for further information.
- This equipment complies with FCC radiation exposure limits set forth for an uncontrolled environment. This equipment should be installed and operated with minimum distance 20cm between the radiator & your body.

1

Technical Specifications

Video	
Pixels	4 Mega Pixel
Resolutions	2560x1440/2304x1296/1920x1080/ 640x280/640x260/320x240 @25FPS
Lens	2.8mm
Night Vision	IR LEDs with up to 14m range (45.9ft)
Field of View	97°(H), 52°(V), 115°(D)
Dynamic Range	Wide Dynamic Range, Highlight Compensation, Backlight Compensation
Applications	Best for small indoor areas: hallways, entrances, and modest sized rooms.
Image Sensor	1/3" progressive scan CMOS
Iris	Fixed
Shutter Speed	1/3s to 1/100,000s
Min Illumination	Color 0.165Lux; IR ON 0 Lux
Digital Capabilities	
Video Compression	H.265, H.264 and MJPEG
Audio Compression	AAC; G.711a; G.711Mu
Image Settings	Rotation, Saturation, Brightness, Contrast, Sharpness
Interface	
Ethernet	RJ-45 Female 10/100 Base-T
Audio	Microphone & speaker
Wifi	IEEE802.11b/g/n
Edge Storage	Micro SD/SDHC/SDXC slot, Max 265GB
Physical/Power	
Power	DC12V
Power Consumption	Basic consumption: 2.56W (12V DC) Max. consumption: 3.3W (12V DC)
Operating Temperature	-10°C to +45°C
Operating Humidity	0% - 95% RH

Approvals	CE, FCC
Dimensions	Φ78.5 mm × 90.5 mm × 127.8 mm
Weight	360 gram
Housing	Plastic, sleek & modern appearance

2

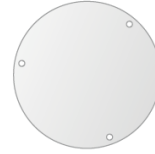
Packing List



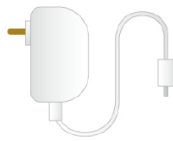
Camera ×1



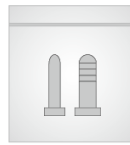
QSG ×1



Positioning Map ×1



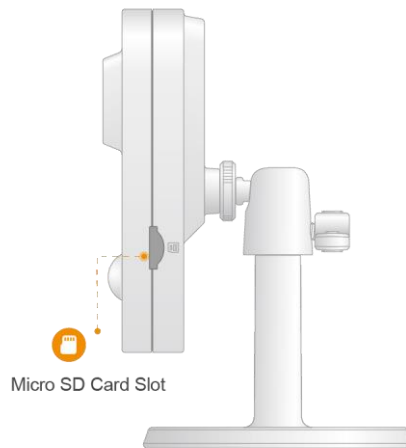
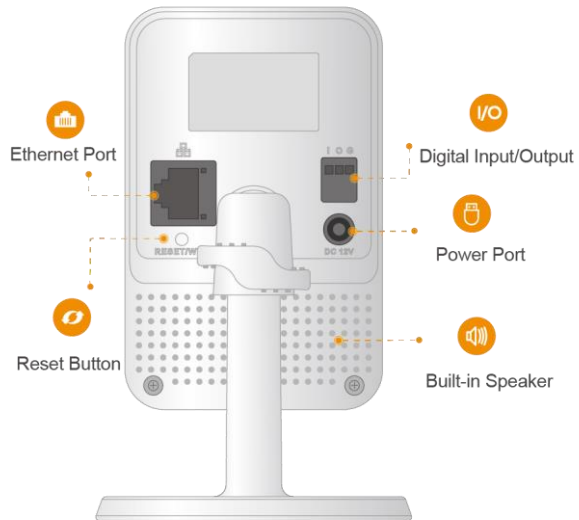
Power Adapter ×1



Screw Package ×1

3

Product Appearance



Note:

For reset, press and hold for 10 seconds until the light turns off.

Please refer to the following sheet for more details about the status of the indicator light.

Indicator light status	Device status
Red light on	Booting or Device malfunction
Green light flashing	Booting completed, awaiting Wi-Fi config
Green light on	Normal operation
Red light flashing	Network connection failed
Green and red light flashing alternately	Firmware upgrading

4

Device Installation

Important

Before the installation, please make sure the installation environment can support at least 3 x weight (0.31Kg (0.68lb)) of the camera. See data sheet for further information.

