

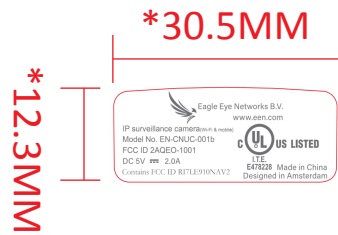
CONFIDENTIAL: This drawing is confidential and proprietary to Aztech.
 Reproduction in whole or in part is prohibited without the written consent of Aztech.

1.0	16-Jul-2018	RELEASE FOR MANUFACTURING
REV. NO.	DATE	REMARKS

All material used shall comply with the RoHS Directive, 2002/95/EC

Remark:

- 1) Keyline does not print
- 2) Scale 1:1
- 3) Adhesive : Permanent Adhesive
(贴于塑胶壳上)
- 4) Packaging Method: 片装
- 5) Tolerance: ±0.2mm



Marked with "*" as the key size
 Material: 50# 白亮龙 (普通底)
 Printing color: PANTONE Cool Grey 11C

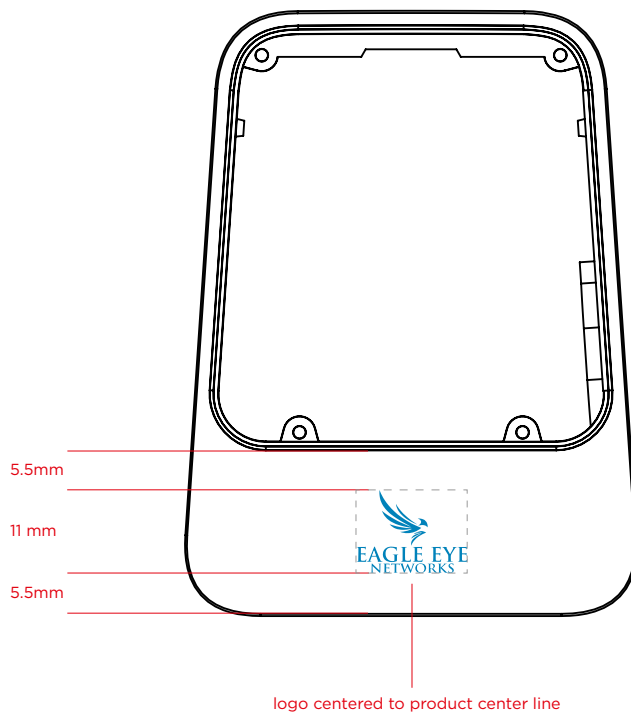
RELEASE NO. _____

Aztech	DESCRIPTION		STKR EN-CNUC-001B 30.5X12.3MM US V1.x
	PREPARED BY	CHECKED	APPROVED
REFERENCE TO MECHANICAL SPEC P/N:			PART/DWG NO.



Scale 1:1 50mm

SLIMDESIGN



CHANGE

- New Logo inserted

REMARKS

-

PART

2169.001
Main Enclosure

COLOUR

Alternative:
PANTONE 640 EC

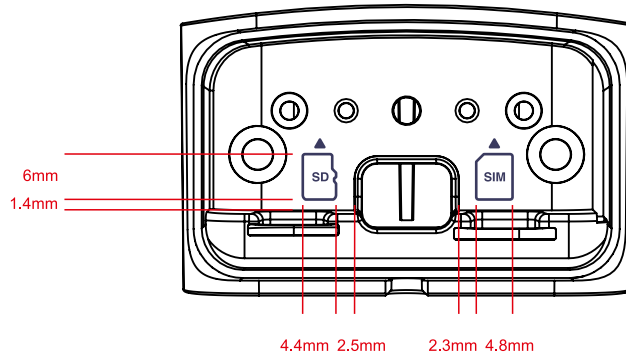
TECHNIQUE

Pad Printed



Scale 1:1 50mm

SLIMDESIGN



CHANGE

REMARKS

PART

2169.001
Main Enclosure

COLOUR

Pantone Solid Coated
PMS 5265 C

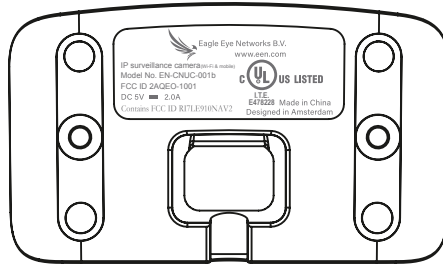
Finish

Pad Printed



Scale 1:1 50mm

SLIMDESIGN



Graphics PMS Coolgrey 4C

CHANGE

- Updated due to Eagle Eye Networks input

REMARKS

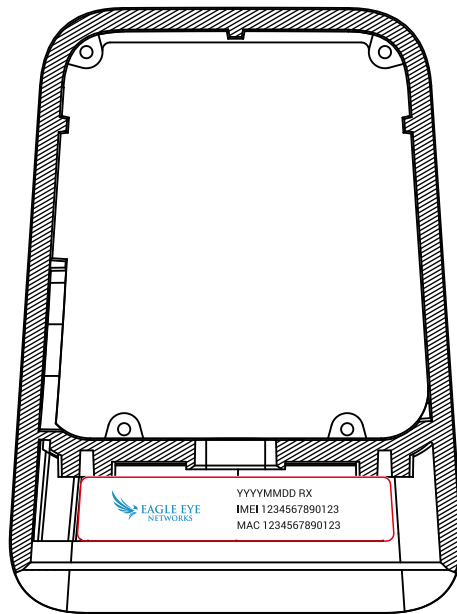
EU version

PART	COLOUR	Finish
2169.006 Bottom Cover	Pantone Solid Coated PMS Cool Grey 4 C	Sticker White (Matt)



Scale 1:1 50mm

SLIMDESIGN



Eagle Eye logo PANTONE 640C

Date, IMEI & MAC printed in black

CHANGE

- Updated due to Eagle Eye Networks input

REMARKS

PART

2169.001
Main Enclosure

COLOUR

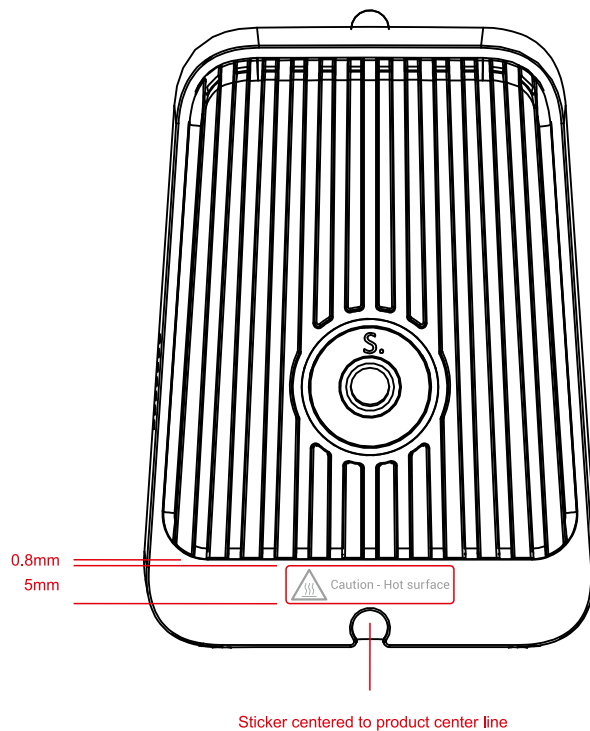
PANTONE 640 EC

Finish

Sticker
White (Matt)

Scale 1:1 50mm

SLIMDESIGN



Sticker:
Size 22.2x5mm
Corner radius R 0.5mm
Material Polyester
Graphics PMS Coolgrey 4C

CHANGE

- Updated due to Eagle Eye Networks input

REMARKS

-

PART

2169.001
Main Enclosure

COLOUR

Pantone Solid Coated
PMS Coolgrey 4C

Finish

Sticker
Transparent (High Gloss)