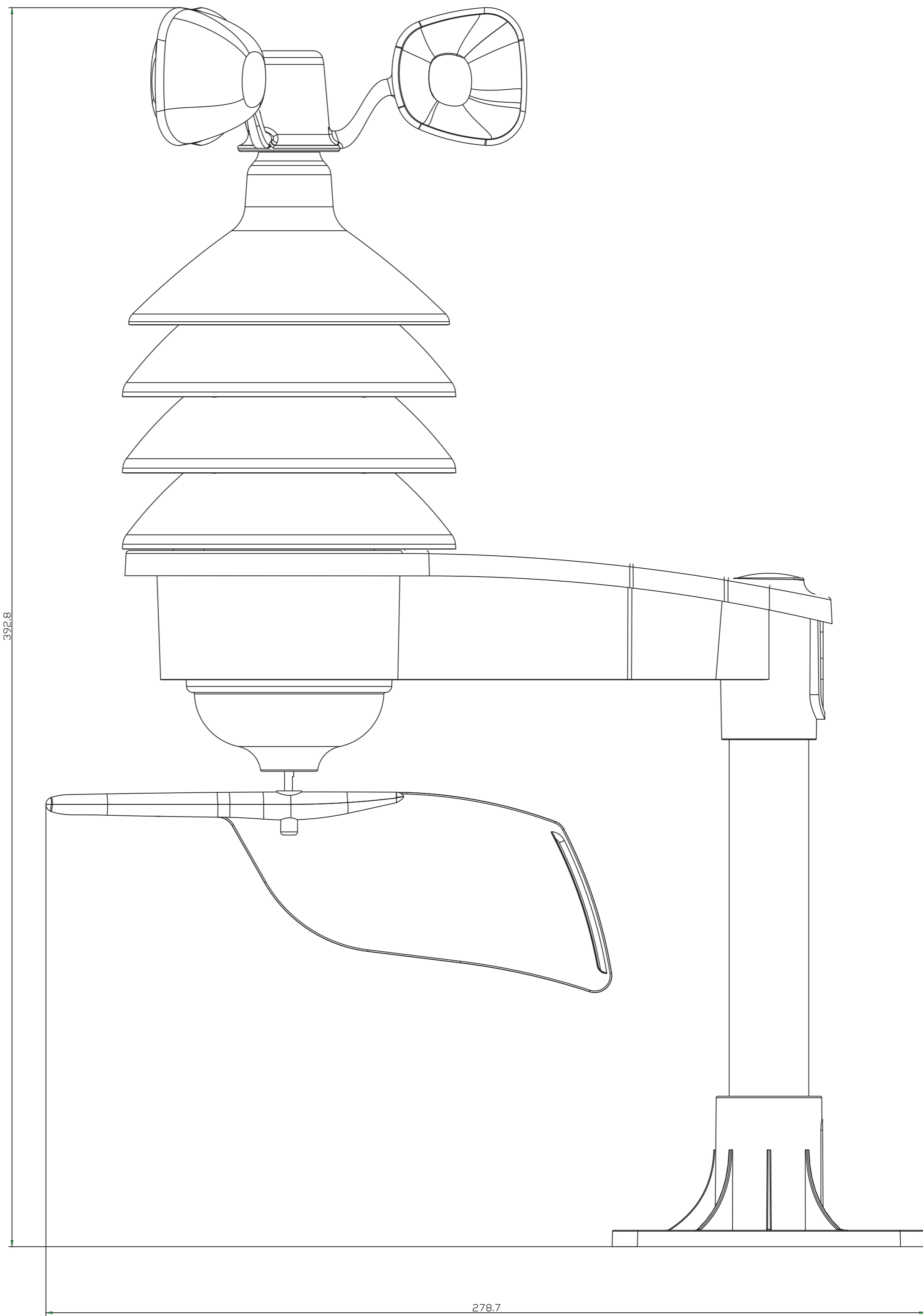
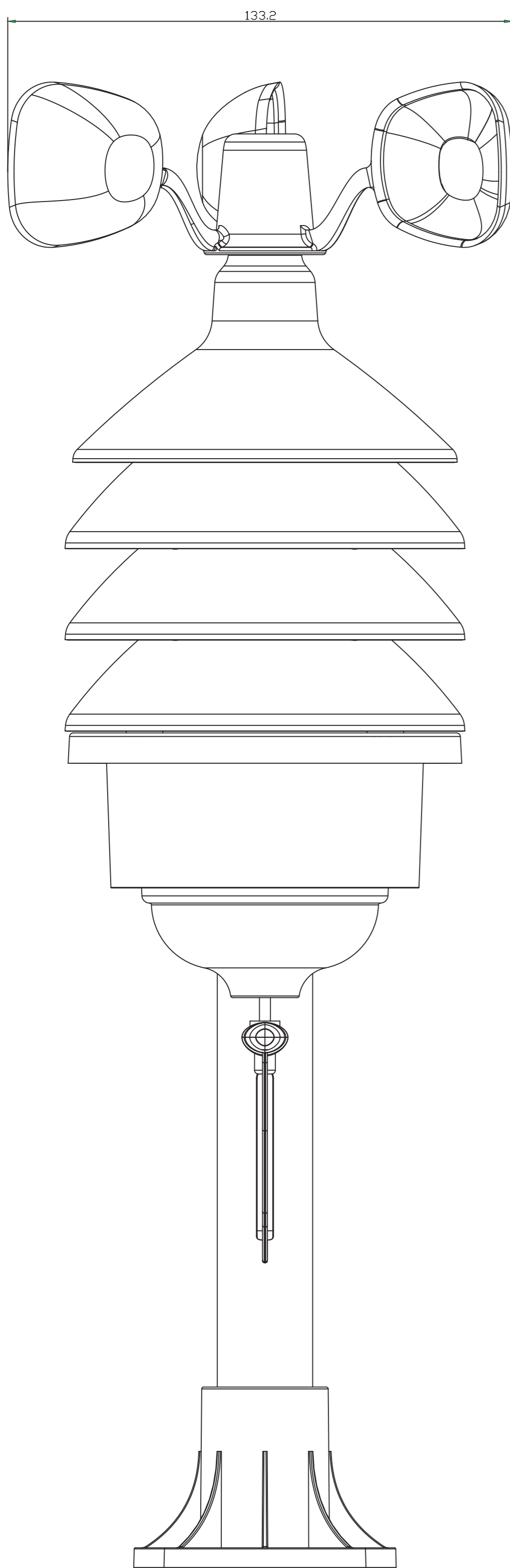



FCC ID: ZAQBDR45  
 MODEL: R45  
 ANEMOMETER WITH  
 TEMPERATURE AND HUMIDITY  
 SENSOR  
 Backup battery: 4 x 1.5V AA  
 MADE IN CHINA

This device complies with Part 15 of the FCC Rules. Operation is subject to the following two conditions:  
 (1) this device may not cause harmful interference, and  
 (2) this device must accept any interference received, including interference that may cause

丝印一道黑色



型号	R45	设计制作	经理核准	结构核准	电子核准	业务核准	日期	版本	页码	 <b>福建友通实业有限公司</b>
物料代码		陈裔					2018.08.28	00	01	