

ZENITH

Portable Speaker

ZT-12GX

**PORTABLE ACTIVE SPEAKER
SYSTEM WITH TROLLEY**

MEMORY CARD INPUT PORTS
BT AUDIO STREAMING
FM RADIO RECEIVER
AUDIO LINE (AUX) INPUT
BASS AND TREBLE CONTROL
PRESET EQ FOR MEMORY CARD PLAYBACK
WIRED MICROPHONE INPUT
DIGITAL ECHO
LED DISCO LIGHTS
RECHARGEABLE BATTERY



**PORTABLE ACTIVE SPEAKER
SYSTEM WITH TROLLEY**

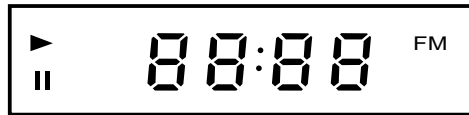
INSTRUCTION MANUAL

Before connecting, operating or adjusting the unit,
please read instructions carefully and completely.

Feature

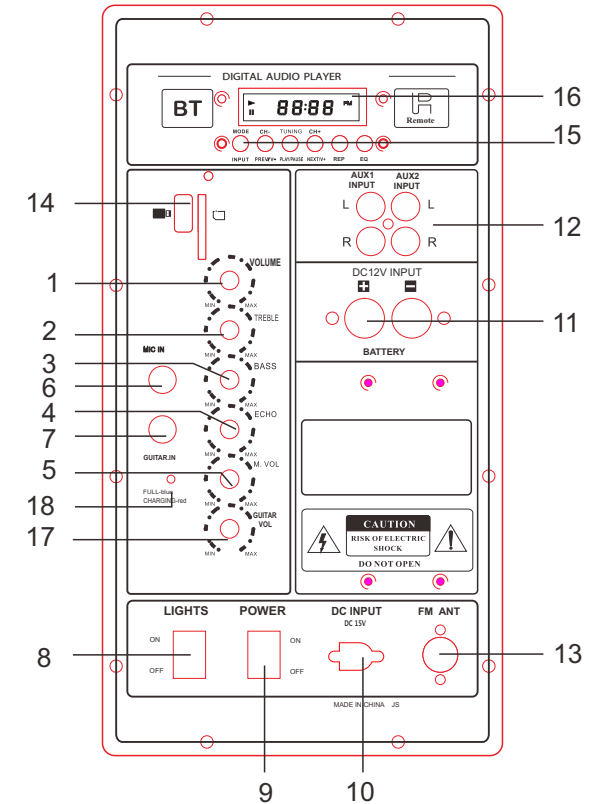
1. Stylish fashionable and elegant appearance
2. Strong bass , clear ang rich vocal
3. Music playing through BT , Memory Card and line in connection

Display Description



1. **Memory Card** : Read U disk display
2. **AUX** : External audio input
3. **BLUE** : Bt play
4. **FM** : FM player, according to the previous song or the next key, semi automatic search table, press the play button, the full automatic search and storage station

Panel Function



- | | |
|---------------------------|---|
| 1. Source Volume Control | 12. AUDIO Input Jacks |
| 2. Treble Control | 13. FM antenna |
| 3. BASS Control | 14. Memory Card Input port |
| 4. Echo Control | 15. Memory Card/FM/BT Playback Controls |
| 5. Mic Volume Control | a.MODE |
| 6. Mic1 Input Jacks | b.Previous/CH- Button |
| 7. Guitar Input Jacks | c.Next/CH+ Button |
| 8. Lights ON/OFF Switch | d.Play/Pause/FM SCAN Button |
| 9. Power ON/OFF Switch | e.Repeat Button |
| 10. DC INPUT:Charge Input | f. Equalizer button |
| 11. DC 15V Input | 16. Memory Card Function Display |
| | 17. Guitar Volume Control |
| | 18. Power management indicator light |

Function Description

General Function Description

- 1.Master Volume :Turnning to adjust master volume.
- 2.Treble Volume :Turnning to adjust volume.
- 3.Bass Volume :Turnning to adjust volume.
- 4.Echo Effect Volume :Turnning to adjust volume.
- 5.Mic Volume :Turnning to adjust volume.
- 6.mode:change to other mode when operating , sequence:
AUX-BLUE-FM-Memory Card .priority to play in Memory Card or micro Memory Card mode when insert Memory Card or micro Memory Card

Function Description

- 1.Memory Card : Playing when insert the Memory Card when save with music.
- 2.Micro Memory Card : Playing when insert the Micro Memory Card when save with music.
- 3.AUX:Playing when Plug in the AUX cable and connected with music device.
- 4.Play/Pause Button: In Memory Card mode , press to play or pause.
- 5.Skip -&+ Button: With playing music in Memory Card mode , short press to go back or forwatd music , long press to adjust volum

BT Function Description

- 1.pairing:press Mode Button To Blue Mode ,speaker Will Be Under Automatic Pairing Mode , led Display Shows "blue",pair The Bt Compatible Device By Selecting "zenith" From The Listed Devices, Speaker Wlil Call Out "connected" After Paired Successful, Blue Pairing System Will Be Off There Is No Device Connecting Afrer 5 Minutes.
- 2.Music Playing: press play/pause,Skip +/- Button to play music.

Charging function introduction

When charging the red light, when the blue light indicates that the battery is full, But also continue to charge, charging 5-6 hours to reach the battery Best state.

Remarks : Please charge the power when the power is off or the lower volume to avoid re charging when the sound is distorted.

FCC Warning:

This equipment has been tested and found to comply with the limits for a Class B digital device, pursuant to part 15 of the FCC Rules. These limits are designed to provide reasonable protection against harmful interference in a residential installation. This equipment generates, uses and can radiate radio frequency energy and, if not installed and used in accordance with the instructions, may cause harmful interference to radio communications. However, there is no guarantee that interference will not occur in a particular installation. If this equipment does cause harmful interference to radio or television reception, which can be determined by turning the equipment off and on, the user is encouraged to try to correct the interference by one or more of the following measures:

- Reorient or relocate the receiving antenna.
- Increase the separation between the equipment and receiver.
- Connect the equipment into an outlet on a circuit different from that to which the receiver is connected.
- Consult the dealer or an experienced radio/TV technician for help.

Caution: Any changes or modifications to this device not explicitly approved by manufacturer could void your authority to operate this equipment.

This device complies with part 15 of the FCC Rules. Operation is subject to the following two conditions: (1)This device may not cause harmful interference, and (2) this device must accept any interference received, including interference that may cause undesired operation.

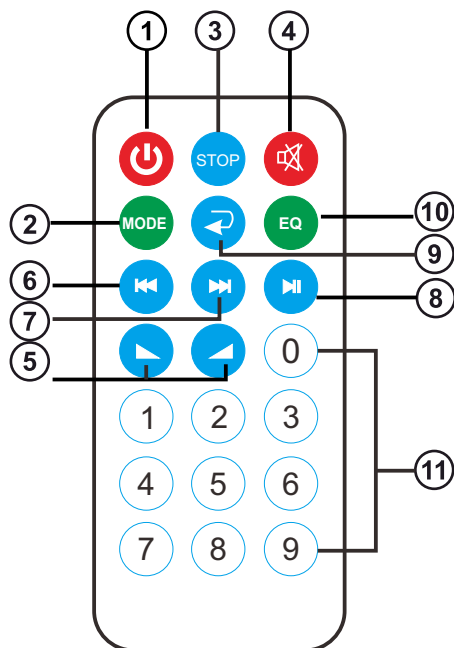
The device has been evaluated to meet general RF exposure requirement. The device can be used in portable exposure condition without restriction.

Lighting Function Decription



Light Flashing Alternately After Power On

FUNCIONES DE CONTROL REMOTO



1. ENERGIA: PARA CAMBIAR EL AUXILIAR, BT, TARJETA DE MEMORIA, FM DEL PRODUCTO PARA METERSE LISTO O MODO OPERACIONAL
2. MODO: PARA SELECCIONAR REPRODUCCION EN MODO DE ENTRADA AUX, BT, TARJETA DE MEMORIA OPERACION DE RADIO FM
3. DETENER: PARA DETENER TARJETA DE MEMORIA Y REPRODUCCION DE AUDIO
4. SILENCIAR: PARA CAMBIAR EL SONIDO A APAGAR O ENCENDER MIENTRAS O PARA DURANTE AUX, TARJETA DE MEMORIA O RADIO FM
5. VOLUMEN (+,-): PARA AJUSTAR EL VOLUMEN DIGITAL INTERNO DEL RECURSO DE ENTRADA DE AUDIO
6. ANTERIOR: PARA REPRODUCIR EL NUMERO DE PISTAS ANTERIORES DURANTE LA REPRODUCCION DE TARJETA DE MEMORIA U OTRAS OPERACIONE

CH- PARA SELECCIONAR ESTACIONES DE RADIO PROGRAMADA EN FM EN EL NUMERO DE CANAL DE MEMORIA

7. SIGUIENTE: PARA REPRODUCIR EL SIGUIENTE # DE PIDTS DURNTE TARJETA DE MEMORIA OPERACION BT

CH+ = PARA SELECCIONAR LA SIGUIENTE ESTACION DE RADIO PROGRAMADA PREVIAMENTE GRABADA EN LA MEMORIA.

8. REPRODUCIR/ PAUSA PARA PAUSAR O REPRODUCIR EL AUDIO DURANTE TARJETA DE MEMORIA, U OPERACION DE BT
9. REPETIR: PARA SELECCIONAR REPETIR DURANTE TARJETA DE MEMORIA U OPERACION DE REPRODUCCION DE AUDIO TARJETA DE MEMORIA. REPITA MODOS: ARCHIVOS, UNO, TODOS.
10. EQ: PARA SELECCINAR CUALQUIERA DE LAS GRABACIONES ESTABLECIDAS DE ACUERDO A SUS PREFERENCIAS DURANTE EL MODO DE REPRODUCCION TARJETA DE MEMORIA
11. BOTONES NUMERICOS: PARA ACCESAR DIRECTAMENTE A LOS NUMEROS DE PISTAS DESCARGADOS DURANTE, TARJETA DE MEMORIA O REPRODUCCION O ACCEDER DIRECTAMENTE A LOS NUMEROS DE LOS CANALES MEMORIA DE ESTACIONES DE RADIO FM.

INSTALACION DE BATERIA DE CONTROL REMOTO

PRESIONE Y EXTRAIGA LA TAPA DEL COMPARTIMIENTO DE LA BATERIA

COLOQUE 1 BATERIAS TAMAÑO CR2025 Y EMPATE LA POLARIDAD EN LA ILUSTRACION (+) A (-) Y SIGNOS (-) A (-).

Technical Specifications

POWERSOURCE -----	AC 110-240V~50/60Hz
BUILT-IN RECHARGEABLE BATTERY -----	12V/2.6A
POWER CONSUMPTION -----	40W(MAX)
TOTAL POWER OUTPUT -----	22W PMS @1KHZ,10% THD
WOOFER DRIVER -----	12",8 OHMS
TWEETER DRIVER -----	4",8 OHMS
FREQUENCY RESPONSE -----	45Hz-20kHz
TOTAL HARMONIC DISTORTION -----	0.3%@10W
CHANNEL SEPARATION -----	60dB
FM RADIO TUNING RANGE -----	87.5MHz to 108MHz
MEMORY CARD FORMAT COMPATIBILITY -----	FAT/FAT32 File system (NTFS file system is not supported)

Packing

- 1 × Speaker
- 1 × Charging cable
- 1 × User Manual