

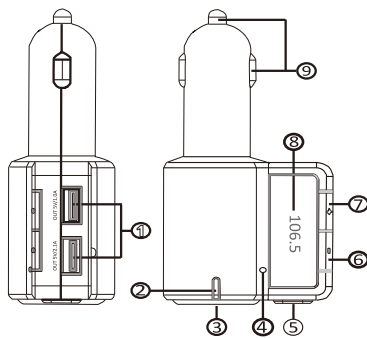
Operating Manual of Bluetooth Car Charger

Thanks for purchasing our product !Please read this operating manual carefully before using in order to ensure correct use and proper functions!

I .Introduction to the Product

This product is a special Bluetooth car charger that can switch the call to the hands-free stave via the professional Bluetooth module as long as the mobile phone is provided with the Bluetooth function. When the call is finished, it will be switched to the music play automatically. It can also send the music in your phone to your car sound wireless. You can enjoy the music and answer the call in hand-free mode without refitting your car, which ensure the driving safety while enjoying music.

II . Schematic Diagram of Appearance



Descriptions of the Schematic Diagram

- 1: Dual USB output with 5V/2.1A&5V/1.0A
- 2: Power indicator lamp
- 3: Cigar lighter port(12-24V) max 4A output, don't support cigar lighter function
- 4: Microphone
- 5: Play/pause/answer phone/ hang up/long press for Bluetooth switch on/power off
- 6: Short press for previous song/long press for frequency down
- 7: Short press for next song/long press for frequency up
- 8: LED display window
- 9: Power adaptor 9V-24V


III . Product Features

- 1: LED display window
- 2: Bluetooth hands-free
- 3: Bluetooth stereo music play
- 4: Call Echo Cancellation and Noise Reduction (CVC) technology
- 5: Dual USB output. total output 5V/3.1A
- 6: Bluetooth stereo and FM transmitter
- 7: Automatic memory function of power failure

IV .Operation Instructions

- 4.1.1 Plug the product into cigarette lighter socket and power on the car FM. Adjust the Bluetooth transmitter frequency same as the Car FM's, then the music in Bluetooth will turned be played from car audio.
- 4.1.2 Adjustment of transmitter frequency:
Long press CH+ and CH- to frequency modulation status, LED will show the frequency point.
Then press CH+ and CH- to adjust the frequency from

the point 88 to 108MHZ

4.1.3 Long press  for 3 seconds, Bluetooth will be off/on.

4.2 Pairing of Bluetooth hands -free and mobile phone if your phone is connected to Bluetooth hand-free for the first time, match connection is required. Please refer to the match manual of mobile phone and Bluetooth for the detail operation.

1. Enable the Bluetooth function of your phone while the Bluetooth hands-free is on and search the "Car kit" device, which will display on your phone.
2. Select "Car kit" device
3. Select "Car kit" in the menu of mobile phone, Select Hands-free device as connection in authorized equipment.
4. After power on, Bluetooth hands-free will automatically connect the device paired with in last time

Notice: some phones can automatically connect with Bluetooth car charger with recharging , but some phones may need to confer authority for each connection. You can set " automatically connection". For the detail, please refer to the user's manual of moible phone.


4.3 using hands-free calls


(When your Bluetooth hands-free is idle or playing music)

4.3.1 Making a call


Dial the number by pressing the phone number under connection state and the sound will be given out from car audio.

4.3.2 Answering a call

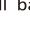
If there is an incoming call under the connection state, press  key to answer the call. In answering the call,

press CH+ and CH-key to switch talking between mobile phone and Bluetooth. Short Press  to hang up.

4.3.3 Rejecting a call

For the call you do not want to answer, you may long press  key to reject.

4.3.4 Callback

Press  key twice under connection state to call back the last call.

4.4 Play music in your phone

This Product supports A2DP function, which allows you to paly music in your phone. Music will be transmitted to your car audio via FM function of the product so that you can enjoy music with higher quality.

4.4.1 According to the mobile phone operation manual, set Bluetooth stereo output as music play mode.

4.4.2 After setting, the music played in mobile phone will be turned to Car audio by FM transmitter.

V. Technical Parameters

Rated working voltage	12V
Limit working voltage	9~26V
USB output	5V/3.1A
Working temperature	0~50°C
SNR	>60dB
Degree of distortion	<0. 1%
Frequency response	20Hz-15Khz
Resolution of right and left channel	> 60dB
Bluetooth version	Version 2.1
Bluetooth sound	A2DP(Advance Audio Distribution
Bluetooth transmission distance	10M

Effective distance of Bluetooth microphone	0.5 ~2M
FM frequency	88 ~108Mhz
FM Mode	Stereo digital PLL frequency locking

VI. Attentions

1. The transmitter volume of this device is fixed, pls adjust it mobile and car audio.
2. A built-in antenna is provided for the product, so please avoid using the broadcasting station frequency that is with strong signal so as to get berrer sound effect.
3. The method to operate the Bluetooth may differ due to the difference of the phones applied
4. Some phones may not support automatic connection if they are powered on afre the power failure. If so, please connect them by hand.
5. This product is compatible with more than 95% phones on the market but some are still incompatible. Please pay attention to it when purchasing our product.
6. The volume should be proper during the call to avoid affecting the other party.
7. Do not use this product in the environment with high temperature, dusts or moisture.
8. Avoid dropping the product to prevent damage to the surface or the body.
9. Please don't dissemble the device by yourself, just contact the agency for any questions.
10. Without notice when there is any improved performance and function

VII. Trouble shooting

No work or no display when power is on	·Check if the connection is well between device and cigar lighter and cigarette socket is heavy rusty
Playing failure	·Please ensure the setting of volume of mobile phone and car audio is 0
Muting but not voice	·If player is on "PAUSE" state ·If volume is on "0" or very low oosition
Bluetooth function failure	If mobile telephone has been connected with the player
No sound from car audio	·Confirm the device is on transmitting state. ·If transmit frequency is same with receiving frequency
Transmit effect is not good, with noise	Check if the preset channel has strong signal, try to change the channel without signal interference

VIII. Accessories attached

1. Operating Manual
2. Device
3. Package

FCC Warning

Any Changes or modifications not expressly approved by the party responsible for compliance could void the user's authority to operate the equipment.

This device complies with part 15 of the FCC Rules. Operation is subject to the following two conditions: (1) This device may not cause harmful interference, and (2) this device must accept any interference received,

Note: This equipment has been tested and found to comply with the limits for a Class B digital device, pursuant to part 15 of the FCC Rules. These limits are designed to provide reasonable protection against harmful interference in a residential installation. This equipment generates uses and can radiate radio frequency energy and, if not installed and used in accordance with the instructions, may cause harmful interference to radio communications. However, there is no guarantee that interference will not occur in a particular installation. If this equipment does cause harmful interference to radio or television reception, which can be determined by turning the equipment off and on, the user is encouraged to try to correct the interference by one or more of the following measures:

- Reorient or relocate the receiving antenna.
- Increase the separation between the equipment and receiver.
- Connect the equipment into an outlet on a circuit different from that to which the receiver is connected.
- Consult the dealer or an experienced radio/TV technician for help.

FCC Radiation Exposure Statement:

This equipment complies with FCC radiation exposure limits set forth for an uncontrolled environment .

This transmitter must not be co-located or operating in conjunction with any other antenna or transmitter.

This equipment should be installed and operated with minimum distance 20cm between the radiator &you body.