



SG30智能眼镜产品说明书

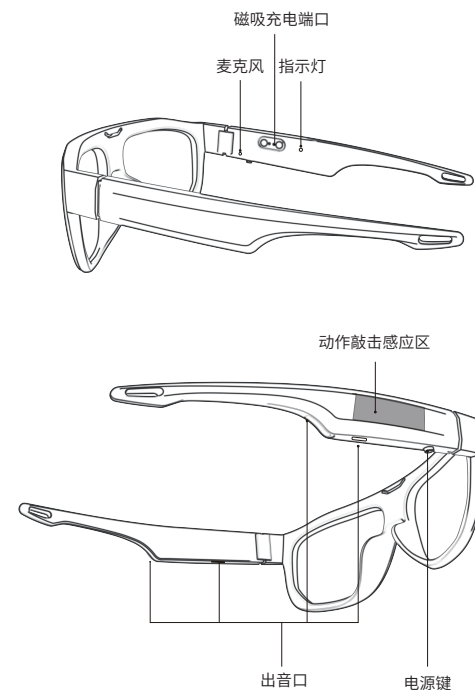
产品包含：SG30智能眼镜、充电线x1
眼镜布x1、包装盒x1、产品说明书x1

www.318sports.com

support@luckysonics.com

东莞市松山湖北部工业区总部二路2号
光大WE谷A1栋801-802室

SG30智能眼镜,基于先进的定向音频技术,让您享受到高品质的立体声音频,同时不会阻碍耳朵接收周围环境音,保障运动的安全。



镜片维护

- 请使用温和皂液定期清洁镜片和镜框。
- 使用出厂提供的微纤维镜片布擦拭镜片。

镜片护理禁忌

- 请勿使用纸巾、卫生纸或餐巾纸擦拭镜片。
- 请勿使用织物柔软剂洗涤过的毛巾擦拭镜片。
- 请勿向镜片吐唾沫。
- 请勿将眼镜置于热源上。
- 请勿使用洗涤剂类产品清洗眼镜。

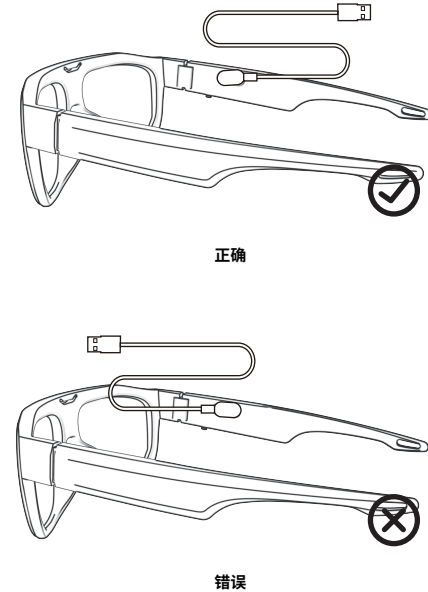
产品充电

- 请使用随附的USB充电线为设备充电,只需将充电端磁吸到设备的充电端口,另一端插入USB适配器或其他USB电源。

- 充电过程中红灯常亮,充满电后绿灯常亮。

注意

请按图示方向充电,切勿将充电针强制反插,以免眼镜短路损伤。



故障排除

无法开机

1. 请保证眼镜电量充足。
2. 连接充电器,等待红色或者绿色指示灯亮起,拿掉充电线,再次开机。

其他故障

1. 请长按电源键5秒以上关机,等待30秒,再次开机。
2. 连接充电器,等待红色或者绿色指示灯亮起,断开充电线,再次开机。

SG30智能眼镜产品维修卡

保修条例

SG30智能眼镜售后服务承诺:严格按照《中华人民共和国消费者权益法》、《中华人民共和国产品质量法》实行售后三包服务,服务内容如下:

- 1.自购买日起7日内,产品出现《产品性能故障表》所列性能故障情况经吉声技术售后服务中心检测确定,依照您的选择,免费办理退货、换货或者修理等服务。
- 2.自购买日起8-15日内,产品出现《产品性能故障表》所列性能故障情况经吉声技术售后服务中心检测确定,依照您的选择,免费办理换货或者修理等服务。
- 3.自购买日起12个月内,产品出现《产品性能故障表》所列性能故障情况经吉声技术售后服务中心检测确定,依照您的选择,免费进行修理。

非保修条例

- 1.未经授权维修、误用、滥用、改动、不正确的使用本产品;
- 2.已超过三包有效期;
- 3.因不可抗力造成的损坏;
- 4.不符合《产品性能故障表》中所列性能故障情况
- 5.人为原因导致产品及其配件产生《产品性能故障表》中所列性能故障。

产品性能故障表

名称	性能故障
SG30 智能眼镜	因结构或材料因素造成的外壳、镜片裂纹。 不能正常开机。 相关指示灯不亮。 按键功能失效。 磁吸充电口无法充电。 蓝牙无法连接。

基本操作

开关机/配对操作说明

开机

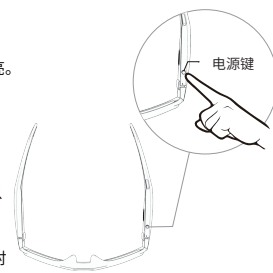
长按电源键2秒以上,直到绿色指示灯点亮。

配对

方法一:首次开机时,绿色指示灯快闪烁,进入配对状态。

方法二:关机状态下长按电源键5秒以上,绿色指示灯快闪烁,进入配对状态。

方法三:开机状态下快速配对,与已配对手机断开蓝牙连接后,短按电源键1-2秒同时有提示音:Pairing,直接进入配对状态。



打开手机的蓝牙,在列表中选择“SG30_LuckySonics”,完成配对。

关机

长按电源键5秒以上,直到红色指示灯点亮。

自动关机

眼镜没有连接手机,5分钟后会自动关机。没有佩戴眼镜时,静止放置30分钟后会自动关机。

产品电量低时,喇叭会发出“嘟-嘟-嘟”的提示音。此时需尽快充电。

电话操作说明

接听电话

方法一:连续敲击动作感应区2次。

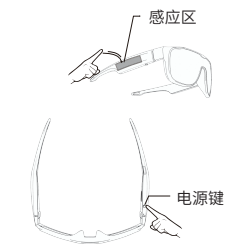
方法二:短按电源键。

拒接电话

长按电源键1秒以上。

挂断电话

短按电源键。



音乐操作说明

音乐播放/暂停

方法一:短按电源键。

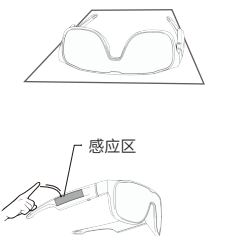
方法二:将眼镜倒放静置既可自动暂停。

音乐下一首

连续敲击动作感应区2次。

音乐上一首

连续敲击动作感应区3次。



配套APP使用

微信扫描下方二维码下载“318骑行”APP,或者在安卓、iOS应用平台搜索“318骑行”



售后服务公众号

微信扫描下方二维码关注“318运动”公众号

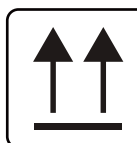


技术规格

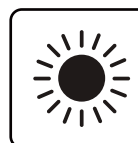
重量	47克
有效距离	10米
输入电压/电流	DC5.0V/0.5A
持续工作时间	4-6小时
防水等级	IPX4
工作温度	-10°C - 40°C
手机系统	安卓 5.0 或者 5.0 以上; iOS 10.0 或者 10.0 以上



小心轻放



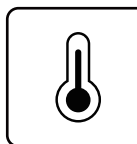
水平放置



不要高温存放



保持干燥



室温存放



可回收的



GRIFFIN AUDIO GLASSES USER MANUAL

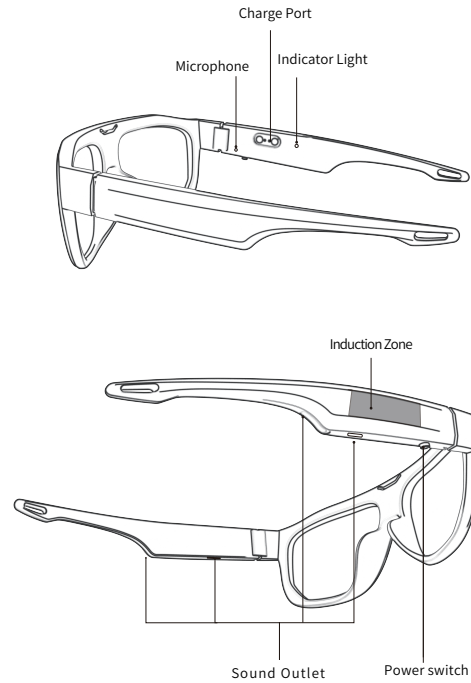
Accessories included in box: GRIFFIN glasses x1, Charging cable x1, Glasses cleaning cloth x1, Product manual x1

www.318sports.com

support@luckysonics.com

300 Delaware Avenue, Suite 210-A,
Wilmington, DE 19801, County of New Castle.

Griffin is a sunglasses with directional audio. Integrated with latest bluetooth V5.0 audio technology, with the exclusive customized speaker design and acoustic adjustment, you can enjoy high-quality stereo audio with open-ear, the surround voice can get you also.



LENS MAINTENANCE

- Please use mild soap to clean the lenses.
- Use the microfiber lens cloth to wipe the lens softly.

PROHIBITION

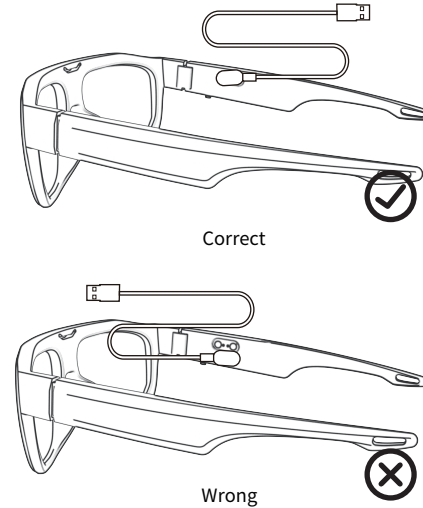
- Do not use paper towels, napkins to wipe the lenses.
- Do not use fabric softener to wipe the lens.
- Do not spit on the lens.
- Do not place the glasses on a heat source.
- Do not use detergent products to clean the glasses.

PRODUCT CHARGE

- Please use the attached USB charging cable to charge the device, just magnetically adsorb the charging end to the charging port of the device, and plug another end into a USB adapter or other USB power source.
- The red light is on during charging, the green light is on when fully charged.

⚠ NOTE

The cable must operate correctly during charge, DO NOT rudely switch the contact pins of charge cable which will damage the device.



TROUBLE SHOOTING

Can not power on the device

- 1 Normally just charge the device one time to reset it. When the charging indication led (red or green) is lit, remove the charge cable, press the power button to restart.
- 2 Sometimes the battery is out of power, we need charge the device for a while, then restart again.

Other failures

- 1 Press the power button for more than five seconds to power off the device, waiting for 30 seconds again, then restart the device.
- 2 Charge the device to reset it. When the charging indication led (red or green) is lit, remove the charge cable, press the power button to restart.

OPERATION

Power on

Press and hold the power button about two seconds, the green indicator light is on, then prompt "power on" from device, now the device is powered on.

Pairing

Method 1: When initial power on the device, the green indicator flashes quickly, now the device is under pairing status.

Method 2: When the device is off, press down the power button five seconds, the green indicator flashes quickly, then prompt "pairing" from device, now the device is under pairing status.

Enable the bluetooth in the setup of mobile phone, search and select "SG30_LuckySonics" in the found device lists, then follow the information prompted in the phone to complete the pairing.

Power off

Press and hold the power button for about five seconds until the red indicator light is on.

Automatic power off

The device will shut down automatically if disconnect with phone for five minutes, or keep motionless without operation for thirty minutes.

When low battery in the device, it will prompt "du-du-du" sound, please charge it in time.

PHONE CALL

Method 1: Click on the induction zone twice continually to answer the phone.

Method 2: Press down the power button one time to answer the phone.

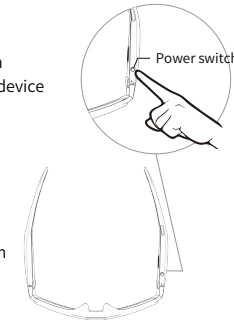


PHONE CALL REJECT

To reject the phone call, press down and hold the power button more than one second.

PHONE CALL OFF

When phone call is over, press down the power button one time to turn off the phone.



Music Play/Pause

- During music play, press down the power button one time to pause the music, press down the power button one more time to continue the play again;
- Make the device upside down as below instruction to pause the play also.

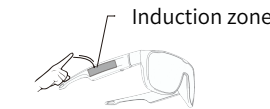


Next song

Click on the induction zone twice continually during music play, switch to next song.

Previous song

Click on the induction zone three times continually during music play, switch to the previous song.



Technical specifications

Weight	47g
Effective distance	10 m
Input voltage/current	DC5.0V/0.5A
Continuous working time	4-6hours
Waterproofing grade	IPX4
Operating temperature	-10°C - 40°C
Mobile phone system	Android 5.0 or above; iOS 10.0 or above

FCC Caution:

Any Changes or modifications not expressly approved by the party responsible for compliance could void the user's authority to operate the equipment. This device complies with part 15 of the FCC Rules. Operation is subject to the following two conditions: (1) This device may not cause harmful interference, and (2) this device must accept any interference received, including interference that may cause undesired operation.

IMPORTANT NOTE:

Note: This equipment has been tested and found to comply with the limits for a Class B digital device, pursuant to part 15 of the FCC Rules. These limits are designed to provide reasonable protection against harmful interference in a residential installation. This equipment generates, uses and can radiate radio frequency energy and, if not installed and used in accordance with the instructions, may cause harmful interference to radio communications. However, there is no guarantee that interference will not occur in a particular installation. If this equipment does cause harmful interference to radio or television reception, which can be determined by turning the equipment off and on, the user is encouraged to try to correct the interference by one or more of the following measures:

- Reorient or relocate the receiving antenna.
- Increase the separation between the equipment and receiver.
- Connect the equipment into an outlet on a circuit different from that to which the receiver is connected.
- Consult the dealer or an experienced radio/TV technician for help.

FCC Radiation Exposure Statement:

This equipment complies with FCC radiation exposure limits set forth for an uncontrolled environment.



Handle with care



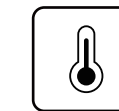
Horizontal arrangement



Don't store at high temperature



Keep dry



Room temperature storage



Recyclable