



# **User Manual**

Smart Air Purifier

Model: AP-H2016

# READ AND SAVE THESE INSTRUCTIONS

## Safety Instructions

- Only use Smart Air Purifier as described in this manual.
- Do not use without removing the plastic wrap from the filter. If not removed, the air purifier will not filter air, and may overheat, causing a fire hazard.
- Do not use the air purifier outdoors.
- Keep the air purifier away from water or wet, damp areas. Never place in water or liquid.
- Do not use in excessively humid areas.
- Keep the air purifier away from heat sources such as stovetops, ovens, or radiators.
- Do not use where combustible gases, vapors, metallic dust, aerosol (spray) products, or fumes from industrial oil are present.
- Keep 5 feet / 1.5m away from where oxygen is being administered.
- Supervise children when they are near the air purifier.
- Do not place anything into the openings of the air purifier.
- Do not place heavy objects on the air purifier.
- Keep the inside of the air purifier dry. To prevent moisture build up, avoid placing in rooms with major temperature changes or underneath air conditioners.
- Always unplug the air purifier before servicing (such as when changing the filter).
- Do not use the air purifier if it is damaged or not working correctly, or if the power cord or plug is damaged. Do not repair yourself. Contact Customer Support.
- **WARNING:** To reduce the risk of fire or electric shock, do not use this air purifier in combination with any 3rd party controls (such as a dimmer switch).
- Not for commercial use. Household use only.

# LIRE ET CONSERVER CES INSTRUCTIONS

## Consignes de sécurité

- Veuillez uniquement utiliser le Purificateur d'air intelligent comme décrit dans ce manuel.
- Veuillez retirer l'emballage plastique du filtre avant d'utiliser le purificateur d'air. Auquel cas, le purificateur d'air ne filtrera pas l'air, et provoquer une surchauffe, pouvant mener à un incendie.
- Veuillez ne pas utiliser le purificateur d'air en extérieur.
- Gardez le purificateur à l'abri de l'eau ou de zones humides ou mouillées. Veuillez ne pas placer le purificateur dans de l'eau ou du liquide.
- Veuillez ne pas utiliser le purificateur d'air dans des zones d'humidité excessive.
- Gardez le purificateur d'air à l'abri de sources de chaleur telles qu'une cuisinière, un four ou un radiateur.
- Veuillez ne pas utiliser le purificateur d'air en présence de gaz combustibles, vapeur, poussière métallique, produits aérosols (spray) ou fumées d'huiles industrielles.
- Maintenez 1,5 m (5 pieds) de distance avec l'entrée d'oxygène.
- Veuillez ne pas laisser des enfants à proximité du purificateur d'air sans surveillance.
- Veuillez ne pas placer d'objets dans les ouvertures du purificateur d'air.
- Veuillez ne pas placer d'objets lourds sur le purificateur d'air.
- Maintenez l'intérieur du purificateur d'air au sec. Afin d'éviter la création d'humidité, veuillez ne pas placer le purificateur d'air dans des pièces dont la température varie fortement ou sous des climatiseurs.
- Veuillez toujours débrancher le purificateur d'air avant maintenance (ex. : lors du changement du filtre).
- Veuillez ne pas utiliser le purificateur d'air s'il est endommagé ou ne fonctionne correctement, ou si le cordon d'alimentation ou la prise sont endommagés. N'effectuez pas de réparations vous-même. Veuillez contacter le Service client.
- AVERTISSEMENT : Afin de minimiser le risque d'incendie ou de choc électrique, veuillez ne pas utiliser le purificateur d'air avec des contrôleurs tiers (comme un variateur).
- À usage non commercial. Usage personnel uniquement.

## Package Includes

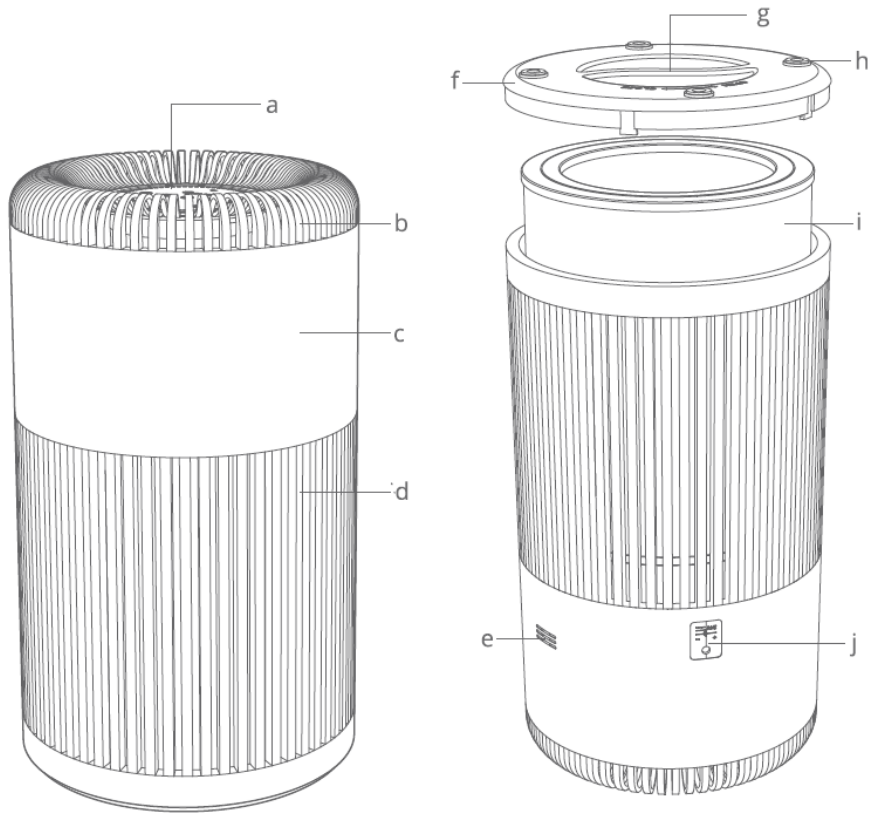
Item	Quantity
Smart Air Purifier	1
3-in-1 True HEPA Filter (Pre-Installed)	1
Quick Start Guide	1
User Manual	1
Power Adpater	1

## Specifications

Adapter Input	100~240V ~ 50/60Hz
Power Supply	24V $\overline{\text{---}}$ 1.5A
Purifier Rated Power	29W
Effective Range	527 ft <sup>2</sup> / 49 m <sup>2</sup> Note: Effective for larger rooms, but purification will take longer. Ideal Room Size is based on 5 air changes per hour (ACH).
CADR	240 CFM / 408 m <sup>3</sup> /h
Noise Level	24~52dB
Air Purifier Dimensions	9.9 x 9.9 x 17.3 in / 25.2 x 25.2 x 44 cm
Air Purifier Weight	7.7 lb / 3.5 kg
Operating Conditions	Temperature: 14° to 104°F / -10° to 40°C
	Humidity: < 85% RH

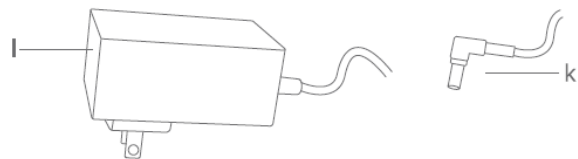
# Getting to Know Your Smart Air Purifier

- a. Panel
- b. Air Outlet
- c. Housing
- d. Air Inlet
- e. Dust Sensor
- f. Filter Cover
- g. Filter Cover Handle
- h. Non-slip Pads
- i. 3-in-1 True HEPA Filter
- j. DC Input Port
- k. Adapter Output Cable
- l. Power Adapter



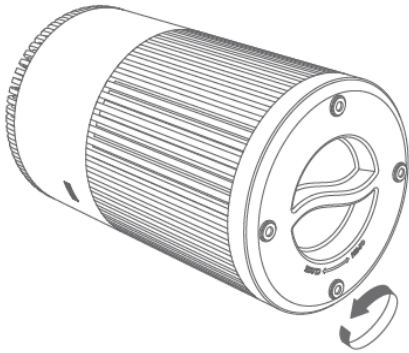
Front

Upside Down

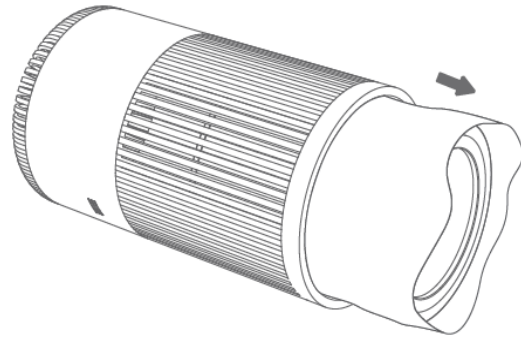


## Getting Started

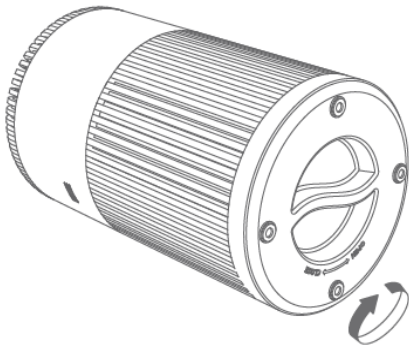
1. Rotate the bottom filter cover counterclockwise and take it out.



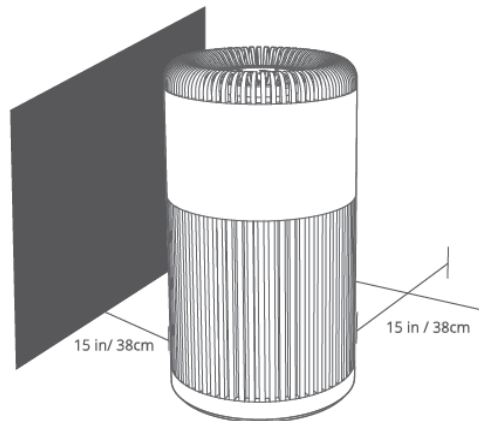
2. Remove the filter from its plastic packaging and place it back into the air purifier.



3. Reattach the filter cover and rotate clockwise to lock. The sound of "dah" indicates the filter cover is tightened up.



4. Place the air purifier on a flat, stable surface with the panel facing up. Allow at least 15 in / 38 cm of clearance on all sides of the air purifier. Keep away from anything that would block airflow, such as curtains and cabinet.



5. Insert the adapter output cable into the DC input port, then plug the power adapter into a 120V socket. Now your purifier is ready to use!

# Using Your Smart Air Purifier



**Note:** You could peel off the protective film on the panel before using.

## 1. Functions & Controls

### **On/Off Button**

Press to turn Smart Air Purifier on/off.

### **Fan Speed Button**

Press to cycle through fan speeds: I (low), II (medium), and III (high).

**Note:** Tapping the Fan Speed Button while the air purifier is in Auto Mode, Sleep Mode or Custom Mode (if the display is on) will exit that mode.

### **Timer Button**

Press to cycle through timer options: 2H, 4H, 8H, and cancel. The purifier will turn off automatically when the set timer has expired.

### **Sleep Mode Button**

Press to turn Sleep Mode on or off. When Sleep Mode is on, the air purifier will work in its lowest noise setting and the panel's brightness will dim for more comfortable use at night.

### **Auto Mode Button**

Press to turn Auto Mode on or off. The purifier will automatically adjust based on the environmental air quality.

### **Custom Mode Button**

Press to turn Custom Mode on or off. The fan speed can be steplessly adjusted in the app and this customized speed will be saved and used when Custom Mode is on.

### **Lock Button**

Press for 3 seconds to turn on Lock Mode. The panel buttons will be locked and cannot be triggered. Press for another 3 seconds to turn Lock Mode off. The Lock Mode Indicator will flash 3 times when any other button is pressed to remind that Lock Mode is still enabled.

## Filter Change Indicator Button

When the filter expires, its exchange indicator will light up in red. After replacing with the new filter, press the button for 3s. If the indicator flashes 3 times, the reset is completed.

### Note:

- After the filter is reset, its usage time will be recalculated.
- The exchange indicator can also be reset by pressing the button for 3 second even it does not light up.

## Memory Function

This air purifier will save its previous settings when powered off (such as speed, mode, and Wi-Fi connection), and when it is powered back on, the settings will resume.

## 2. LED Indicators

Indicator	Working Status	Light Status
I	Low Speed	Solid White
II	Medium Speed	Solid White
III	High Speed	Solid White
2H	Auto-off in 2 Hours	Solid White
4H	Auto-off in 4 Hours	Solid White
8H	Auto-off in 8 Hours	Solid White
	Sleep Mode is On	Solid White
	Auto Mode is On	Solid White
	Custom Mode is On	Solid White
	Locked	Solid White
	Unlock	Dim
	Locking Reminder	Triple Flashes
	Filter is Expired	Solid Red
	Filter Reset Successfully	Triple Flashes
	Ready for Wi-Fi Connection	Slowly Flashes White
	Wi-Fi is Connecting	Quickly Flashes White
	Wi-Fi is Connected	Solid White
	Powering On Air Purifier	Slowly breathes with green, blue, yellow, then red.
	Air Quality is Excellent	Green
	Air Quality is Good	Blue
	Air Quality is Moderate	Yellow
	Air Quality is Poor	Red



# Care & Maintenance

## Cleaning the Smart Air Purifier

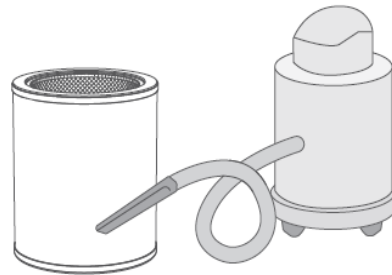
Do not clean with abrasive chemicals or flammable cleaning agents.

## Cleaning Steps

1. Unplug before cleaning.
2. Wipe the outside of the air purifier with a soft, dry cloth. If necessary, wipe the housing with a damp cloth, then immediately dry.
3. It is recommended to vacuum the inside of the purifier.

## Cleaning the Filter

Do not clean the filter with water or other liquids. The outer pre-filter should be cleaned every 2-4 weeks to increase its efficiency and extend its lifespan. The pre-filter should be cleaned by a soft brush or vacuum hose to remove hair, dust, and large particles.



Filter	When to Clean	How to Clean	When to Replace
Pre-Filter	Every 2-4 weeks	Use a soft brush or vacuum hose. Do not clean the filter with water or other liquids.	Does not require replacing
H13 True HEPA Filter	No clean	No clean	6 - 8 months
Activated Carbon Filter	No clean	No clean	6 - 8 months

**Note:** A 3-stage filter includes a Nylon Pre-Filter, True HEPA Filter, and Carbon Filter. The three parts of the filter should be replaced as a single unit.





## Filter Change Time Period

The filter should be replaced every 6–8 months. The exact date at which your filter may need to be changed may vary depending on how often you use your air purifier. Using your air purifier in an environment with relatively high pollution may mean you will need to replace the filter more often, even if the filter change indicator is off. The filter needs to be replaced in any following case:

- Increased noise
- Decreased airflow
- Unusual odors
- A visibly clogged filter

## Resetting Filter Change Indicator

When the Filter Change Indicator  lights red, it prompts to reset the filter service life.

- Press and hold  for 3 seconds.  will flash 3 times and then turn off once successfully reset.
-  will light up as a reminder to replace the filter. The indicator should turn on within 6–8 months, though this time period can be longer or shorter based on the actual usage. You may not need to replace your filter yet, but you should check it when  turns on and plan to replace it soon.
- Reset the Filter Change Indicator when you have replaced the filter.


## Storing



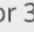




If not using the air purifier for an extended period of time, wrap both the air purifier and the filter in plastic packaging and store them in a dry place to avoid moisture damage.

# Troubleshooting

The troubleshooting section below is for solving frequently asked questions for the purifier unit. If your problem persists, please contact customer support.

## For Smart Air Purifier

Problem	Possible Solution
Air purifier will not turn on or respond to touch controls.	Plug in the air purifier.
	Check to see if the power cord is damaged. If so, stop using the air purifier and contact Customer Support.
	Plug the air purifier into a different outlet.
	The air purifier may be malfunctioning. Contact Customer Support.
Airflow is significantly reduced.	Make sure the filter is removed from its packaging and properly in place.
	Tap  to increase the fan speed.
	Make sure there are at least 15 inches / 38 cm of clearance on all sides of the air purifier.
	The pre-filter may be clogged by large particles, such as hair or lint, blocking air flow. Clean the pre-filter.
	Replace with a new filter.
Air purifier makes an unusual noise while the fan is on.	Make sure the filter is properly in place with plastic packaging removed.
	Make sure the air purifier is operating on a hard, flat, level surface.
	Replace the filter.
	The air purifier may be damaged, or a foreign object may be inside. Stop using the air purifier and contact Customer Support. Do not try to repair the air purifier.
Strange smell is coming from the air purifier or it has poor odor removal ability.	Clean the filter or replace if necessary.
	Make sure not to use your air purifier in an area with high humidity or while diffusing essential oils.
	Remove the filter and expose it to the sun, until the smell can be reduced from the activated carbon filter.

Poor air purification quality.	Tap  to increase the fan speed.
	Make sure no objects are blocking the sides or top of the air purifier (the inlet or outlet).
	Make sure the filter is fully removed from its packaging and is properly secured in place.
	Close doors and windows while using the air purifier.
	If the room is larger than 527 ft <sup>2</sup> / 49 m <sup>2</sup> , air purification will take longer. The air purifier may not be as effective in significantly larger rooms.
	Replace the filter.
Filter Change Indicator is still on after replacing the filter.	Press and hold  for 3 seconds.  will flash 3 times and turn off once successfully reset.
Filter Change Indicator has not turned on within 8 months.	 is a reminder for you to check the filter and will light up based on how frequently the air purifier has been used. If you don't use your air purifier often,  will take longer to turn on.
Filter Change Indicator turned on before 6 months.	 is a reminder for you to check the filter and will light up based on how long the air purifier has been used. If you run your air purifier frequently,  will turn on sooner.

## FCC Statement

This device complies with Part 15 of the FCC Rules. Operation is subject to the following two conditions:

- (1) this device may not cause harmful interference, and
- (2) this device must accept any interference received, including interference that may cause undesired operation.

Warning: Changes or modifications not expressly approved by the party responsible for compliance could void the user's authority to operate the equipment.

Note: This equipment has been tested and found to comply with the limits for a Class B digital device, pursuant to Part 15 of the FCC Rules. These limits are designed to provide reasonable protection against harmful interference in a residential installation.

This equipment generates uses and can radiate radio frequency energy and, if not installed and used in accordance with the instructions, may cause harmful interference to radio communications. However, there is no guarantee that interference will not occur in a particular installation. If this equipment does cause harmful interference to radio or television reception, which can be determined by turning the equipment off and on, the user is encouraged to try to correct the interference by one or more of the following measures:

- (1) Reorient or relocate the receiving antenna.
- (2) Increase the separation between the equipment and receiver.
- (3) Connect the equipment into an outlet on a circuit different from that to which the receiver is connected.
- (4) Consult the dealer or an experienced radio/TV technician for help.

## FCC Radio Frequency Exposure Statement

The device has been evaluated to meet general RF exposure requirements. The device can be used in fixed/mobile exposure condition. The min separation distance is 20cm.

# IC Statement

This device complies with Industry Canada licence-exempt RSS standard(s). Operation is subject to the following two conditions:

- (1) this device may not cause interference, and
- (2) this device must accept any interference, including interference that may cause undesired operation of the device."

Le présent appareil est conforme aux CNR d'Industrie Canada applicables aux appareils radio exempts de licence. L'exploitation est autorisée aux deux conditions suivantes:

- (1) l'appareil nedoit pas produire de brouillage, et
- (2) l'utilisateur de l'appareil doit accepter tout brouillage radioélectrique subi, même si le brouillage est susceptible d'en compromettre le fonctionnement.

This Class B digital apparatus complies with Canadian ICES-003.

Cet appareil numérique de la classe B est conforme à la norme NMB-003 du Canada.

IC RF Statement:

When using the product, maintain a distance of 20cm from the body to ensure compliance with RF exposure requirements.

Lors de l'utilisation du produit, maintenez une distance de 20 cm du corps afin de vous conformer aux exigences en matière d'exposition RF.

The Bluetooth® word mark and logos are registered trademarks owned by Bluetooth SIG, Inc. and any use of such marks by Shenzhen Intellirocks Tech. Co., Ltd. is under license.