

EXHIBIT A - FCC ID LABEL AND LOCATION




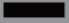
FCC ID Label

Govee
Smart RGB Floor Lamp

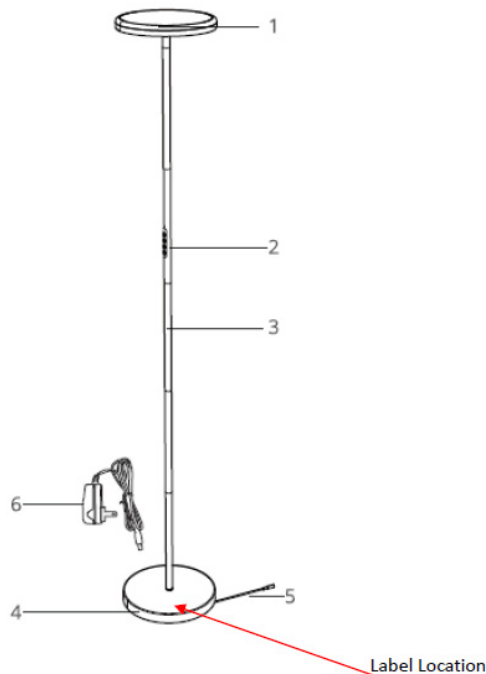
Model: H6073
HVIN: H6073
OUTPUT DC: 24V $\overline{\text{---}}$ 1A
Power: 24W
Color Temperature: 2200K-6500K
Luminous Flux: 2000lm
FCC ID: 2AQA6-H6073
CAN ICES-005(B)/NMB-005(B)

Manufacturer:
Shenzhen Intellirocks Tech Co. Ltd.
Address:
No.2901-2904, 3002, Block C, Section 1, Chuangzhi Yuncheng Building, Liuxian Avenue, Xili Community, Xili Street, Nanshan District, Shenzhen

This device complies with Part 15 of the FCC Rules. Operation is subject to the following two conditions:
(1) This device may not cause harmful interference, and
(2) This device must accept any interference received, including interference that may cause undesired operation.

    **MADE IN CHINA**

FCC ID Label Location Information



The label shown shall be permanently affixed at a conspicuous location on the device and be readily visible to the user at the time purchase (Labeling requirements per 2.925)