

# Antenna test report

Test Laboratory:	Dongguan Yijia Electronic Co., LTD
Laboratory address:	No. 59 Muyu Road, Shatou Community, Chang 'an Town, Dongguan City, Guangdong Province
Contact:	Mr. Gan 13823198410
Test item:	H605CA

## 1. Test procedures (test standards);

### 3.1 Test standard

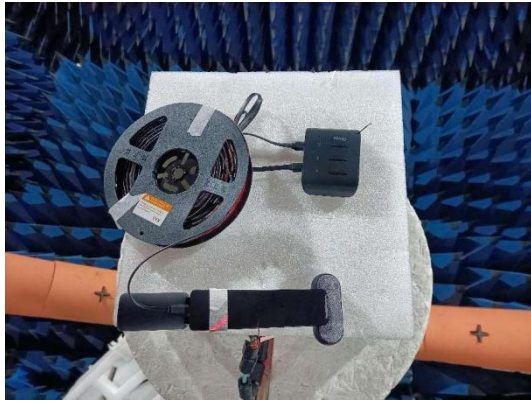
Name	Parameter	Method	Standard no.
Mobile communication antenna	VSWR	Generic specification for antennas used in the mobile communications	GB/T 9410-2008
	Antenna gain		
	Radiation pattern		
Antenna	Radiation efficiency	IEEE Standard Test Procedures for Antennas	ANSI/IEEE Std 149-1979

## 2. Equipment list;

### 1.3 Test equipment

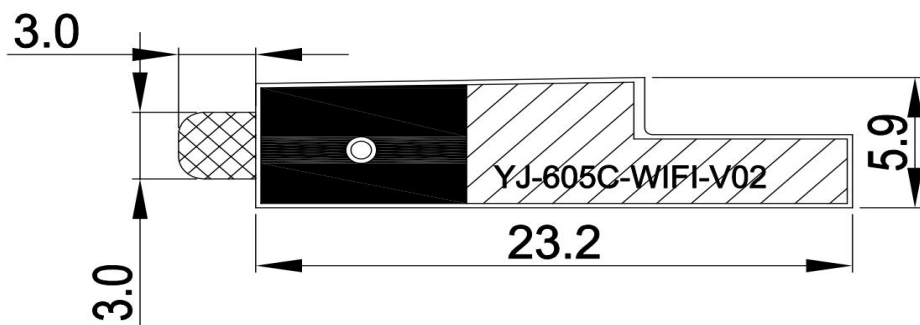
Equipment	Model No.	Serial No.	Manufacturer	Calibration date	Next calibration date
16 probe microwave chamber	3*3*2.5	RFI-LAB-RF-A00	SUNYIELD	2021.3.15	2023.3.14
Network Analyzer	E5071C	RFI-LAB-RF-A02	Agilent	2022.4.29	2023.4.28
Network Analyzer	E5071C	RFI-LAB-RF-C02	KEYSIGHT	2022.4.29	2023.4.28

## 3. Test setup diagram;



#### 4. Test data

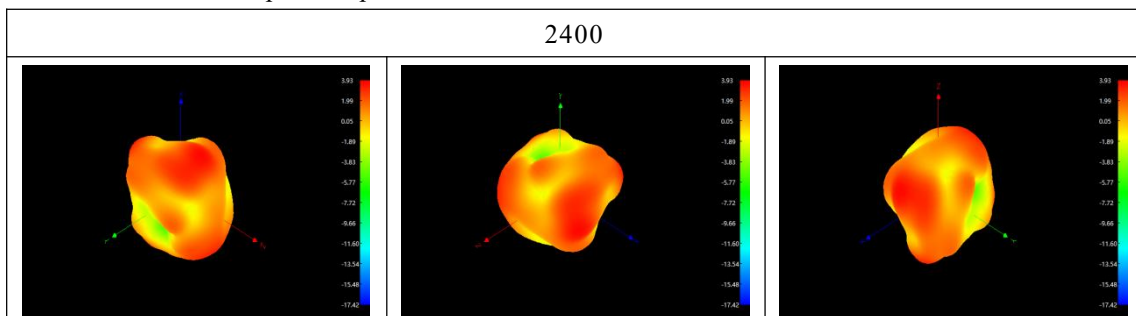
##### 4.1.1 WIFI Antenna physical size



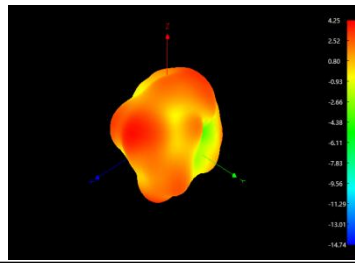
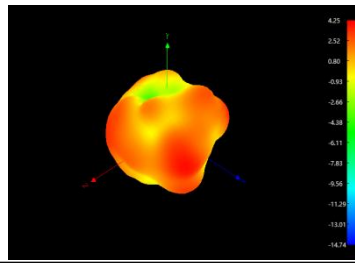
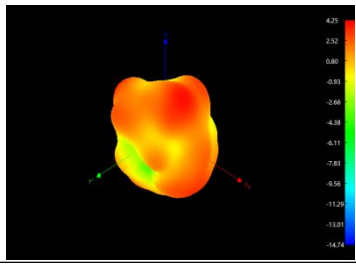
##### 4.1.2 WIFI Antenna type: PCB antenna

Frequency / MHz	Gain/ dBi
2400	3.93
2410	4.07
2420	4.02
2430	4.07
2440	3.9
2450	4.25
2460	4
2470	4.14
2480	4.18
2490	4.2
2500	3.96

##### 4.1.3 WIFI antenna pattern pictuter



2450



2500

