

# Shenzhen Intellirocks Tech. Co., Ltd.

Date

Federal Communications Commission  
Equipment Authorization Branch  
7435 Oakland Mills Road  
Columbia, MD 21046

Request of Class II Permissive Change

**Company name: Shenzhen Intellirocks Tech. Co., Ltd.**

**FCC ID: 2AQA6-H5181**

**FCC Part 15 Certification**

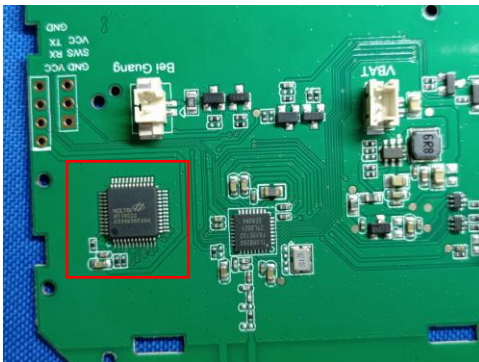
Gentlemen,

This is to request a Class II Permissive Change for FCC ID: **2AQA6-H5181** originally granted on 11/24/2020

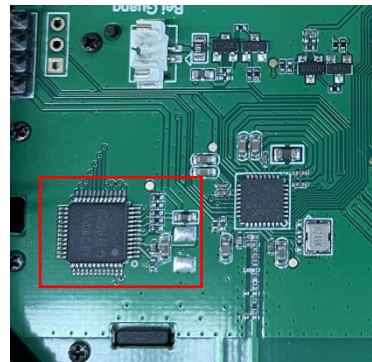
The major change filed under application is:

(1) Changing the Master chip “HT16C22” to “AIP31620E” .

Original H5181



New H5181



The changes are not related with the other RF parameters, only Spurious Emissions and Power of H5181 were retested, other data were referred to the original report.

If you have any questions regarding this application, please feel free to contact

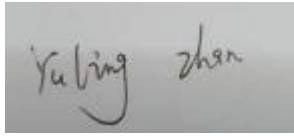
Contact name: Yuling zhan

Position: Manager

Phone No.: + 86-13652441319

Company name: Shenzhen Intellirocks Tech. Co., Ltd.

Sincerely,

A rectangular box containing a handwritten signature in black ink. The signature reads "Yuling zhan" in a cursive, lowercase style.