

## Justification statement for Antenna

To: Federal Communication Commission  
Equipment Authorization Branch  
7435 Oakland Mills Road  
Columbia, MID 21046

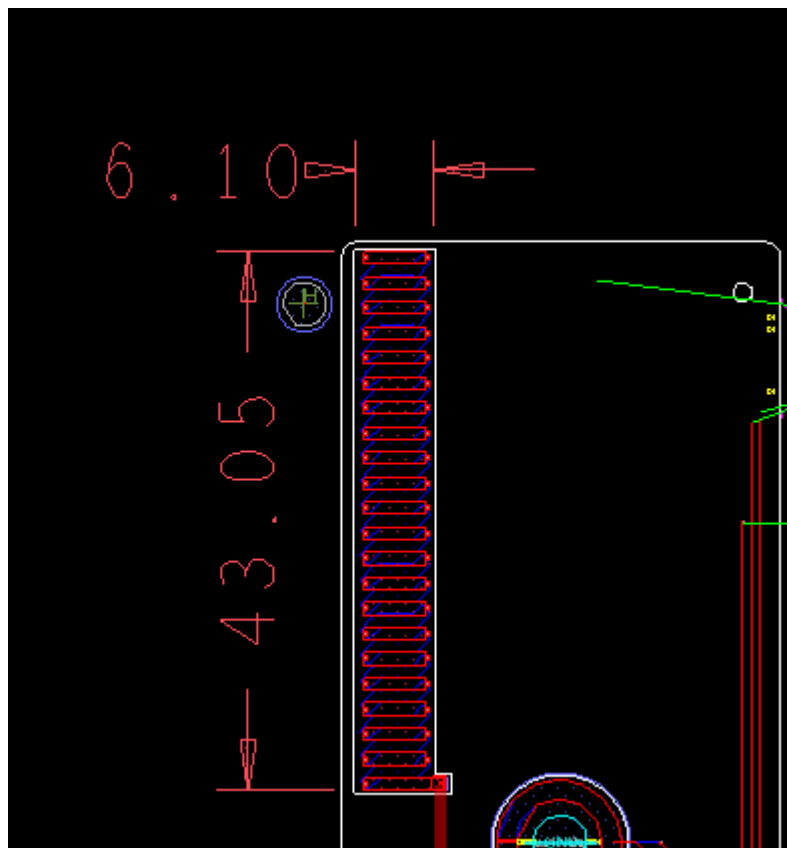
**Regarding:** FCC ID: 2AQ9VN3XRCU

Dear Sir/Madam,

Only radiated measurements are used for EUT with *FCC ID: 2AQ9VN3XRCU* to show compliance with FCC limits for fundamental and spurious emissions. All measurements were performed radiated and therefore additional antenna gain documentation is not required.

The detailed information for antenna as below shows:

Design Specifications	Typical
Antenna Type	PCB Antenna
Working Frequency	433 MHz
Overall Dimensions	Show as below



Unit: mm