

Technical Document

Type: SLR1100

Version: V1.02

Product No.: 2013072401

Confidential type:

Prepared by: Zhu, Xuemin; Zhou, Weisong

Verification:

Authorization:

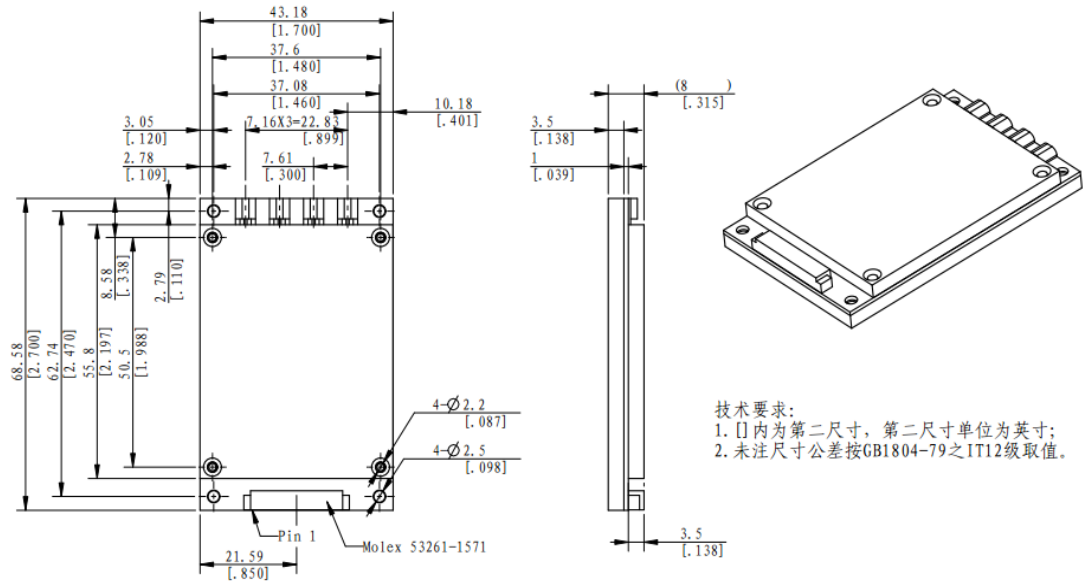
Date: 20130724

Revising Record

Date	Revising Version	Revising Chapter	Revising Description	Author
130624	V1.01			Zhu, Xuemin
130724	V1.02		Specify parameters	Zhu, Xuemin

1. SLR1100 dimension:

Length:68.58MM Width:43.18MM Height:8MM.



2. SLR1100 Module Connector: Antenna Connector & Communication Connector

- (1) Antenna Connector: 4 MMCX-LR-SMT (MMCX)
- (2) Communication Connector: MOLEX53261-1571 (15 PIN 1.27mm distance)

Pin Defination:

No.	Defination
1	GND
2	GND
3	VCC+5V±0.25V
4	VCC+5V±0.25V
5	Digital Output1 (GPIO)
6	Digital Output2 (GPIO)
7	Digital Input1 (GPIO)
8	Digital Input2 (GPIO)
9	RX (UART DATA INPUT, TTL level)
10	TX (UART DATA OUTPUT, TTL level)
11	NC
12	NC
13	NC
14	SHUTDOWN(power failed at high electric level, electric level should be greater than VCC-0.3V) (pins can be suspended when the function is not used)
15	nRST(reset, reset at lower level) (pins can be suspended when the function is not used)

3. GPIO and Serial Port Electronic Characteristic

Input:

Logic low <0.8 V minimum 0V

Logic high >2V maximum 3.3V

Output:

Logic low maximum 0.4V

Logic high minimum 2.9V, maximum 3.3V

Maximum output current is 5mA at IO port.

FCC Caution

§ 15.19 Labeling requirements.

This device complies with part 15 of the FCC Rules. Operation is subject to the following two conditions: (1) This device may not cause harmful interference, and (2) this device must accept any interference received, including interference that may cause undesired operation.

§ 15.105 Information to the user.

Note: This equipment has been tested and found to comply with the limits for a Class B digital device, pursuant to part 15 of the FCC Rules. These limits are designed to provide reasonable protection against harmful interference in a residential installation. This equipment generates uses and can radiate radio frequency energy and, if not installed and used in accordance with the instructions, may cause harmful interference to radio communications. However, there is no guarantee that interference will not occur in a particular installation. If this equipment does cause harmful interference to radio or television reception, which can be determined by turning the equipment off and on, the user is encouraged to try to correct the interference by one or more of the following measures:

- Reorient or relocate the receiving antenna.
- Increase the separation between the equipment and receiver.
- Connect the equipment into an outlet on a circuit different from that to which the receiver is connected.
- Consult the dealer or an experienced radio/TV technician for help.

§ 15.21 Information to user.

Any Changes or modifications not expressly approved by the party responsible for compliance could void the user's authority to operate the equipment.

This equipment complies with FCC radiation exposure limits set forth for an uncontrolled environment. This equipment should be installed and operated with minimum distance 20cm between the radiator & your body.

The modular can be installed or integrated in mobile or portable devices. This modular complies with FCC RF radiation exposure limits set forth for an uncontrolled environment. This transmitter must not be co-located or operating in conjunction with any other antenna or transmitter.

If the FCC identification number is not visible when the module is installed inside another device, then the outside of the device into which the module is installed must also display a label referring to the enclosed module. This exterior label can use wording such as the following: Contains FCC ID: 2AQ9M-SLR1100