

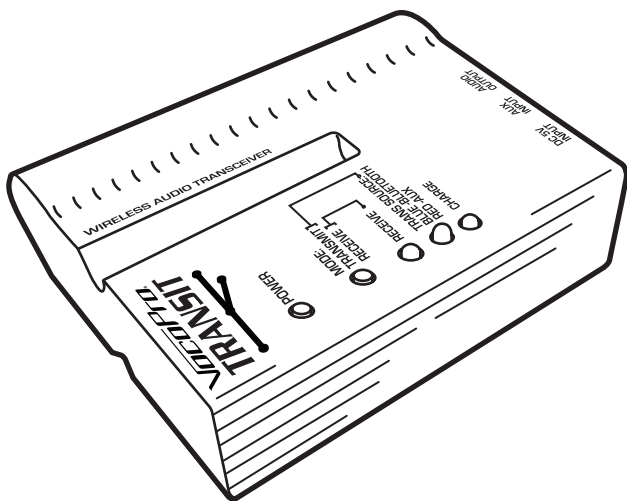
Test model: TRANSIT

# VocoPro®

PROFESSIONAL VOCAL SYSTEMS™

---

# Transit



**Wireless Audio Transceiver**

---

owner's manual

# ***WELCOME***

---

And thank you for purchasing TRANSIT from VocoPro. VocoPro is a leading manufacturer of pro audio equipment. All our products offer solid performance and sound reliability, and to maintain our commitment to customer satisfaction, we have customer service and technical support professionals ready to assist you with your needs. We have provided some contact information for you below.

## Contact Information

VocoPro is located at-  
1728 Curtiss Court  
La Verne, CA 91750

Toll Free: 800-678-5348  
TEL: 909-593-8893  
FAX: 909-593-8890

## Customer Service & General Information

info@vocopro.com  
Tech Support  
tech-support@vocopro.com

Be sure to visit the VocoPro website [www.vocopro.com](http://www.vocopro.com) for the latest information on new products, packages and promos.



## CAUTION RISK OF SHOCK



**CAUTION:** To reduce the risk of electric shock, do not remove cover (or back). No user-serviceable parts inside. Only refer servicing to qualified service personnel.

## Explanation of Graphical Symbols



The lightning flash & arrowhead symbol, within an equilateral triangle, is intended to alert you to the presence of danger.



The exclamation point within an equilateral triangle is intended to alert you to the presence of important operating and servicing instructions.

**WARNING:** To reduce the risk of fire or electric shock, do not expose this unit to rain or moisture.

1. Read Instructions - All the safety and operating instructions should be read before the appliance is operated.
2. Retain Instructions - The safety and operating instructions should be retained for future reference.
3. Heed Warnings - All warnings on the appliance and in the operating instructions should be adhered to.
4. Follow Instructions - All operating and use instructions should be followed.
5. Attachments - Do not use attachments not recommended by the product manufacturer as they may cause hazards.
6. Water and Moisture - Do not use this unit near water. For example, near a bathtub or in a wet basement and the like.
7. Carts and Stands - The appliance should be used only with a cart or stand that is recommended by the manufacturer.
- 7 A. An appliance and cart combination should be moved with care. Quick stops, excessive force, and uneven surfaces may cause an overturn.



8. Ventilation - The appliance should be situated so its location does not interfere with its proper ventilation. For example, the appliance should not be situated on a bed, sofa, rug, or similar surface that may block the ventilation slots.

9. Heat - The appliance should be situated away from heat sources such as radiators, heat registers, stoves, or other appliances (including amplifiers) that produce heat.

10. Power Sources - The appliance should be connected to a power supply only of the type described in the operating instructions or as marked on the appliance.

11. Grounding or Polarization - Precautions should be taken so that the grounding or polarization means of an appliance is not defeated.

12. Power-Cord Protection - Power-supply cords should be routed so that they are not likely to be walked on or pinched by items placed upon or against them, paying particular attention to cords at plugs, convenience receptacles, and the point where they exit from the appliance.

13. Cleaning - Unplug this unit from the wall outlet before cleaning. Do not use liquid cleaners or aerosol cleaners. Use a damp cloth for cleaning.

14. Power lines - An outdoor antenna should be located away from power lines.

15. Non-use Periods - The power cord of the appliance should be unplugged from the outlet when left unused for a long period of time.

16. Object and Liquid Entry - Care should be taken so that objects do not fall and liquids are not spilled into the enclosure through openings.

17. Damage Requiring Service - The appliance should be serviced by qualified service personnel when:

- The power supply cord or plug has been damaged; or

- Objects have fallen into the appliance; or

- The appliance has been exposed to rain; or

- The appliance does not appear to operate normally or

- exhibits a marked change in performance; or

- The appliance has been dropped, or the enclosure damaged.

18. Servicing - The user should not attempt to service the appliance beyond that described in the operating instructions. All other servicing should be referred to qualified service personnel.

Note: To CATV system installer's (U.S.A.): This reminder is provided to call the CATV system installer's attention to Article 820-40 of the NEC that provides guidelines for proper grounding and, in particular, specifies that the cable ground shall be connected as close to the point of cable entry as practical.

1. **IMPORTANT NOTICE: DO NOT MODIFY THIS UNIT!:** This product, when installed as indicated in the instructions contained in this manual, meets FCC requirements. Modifications not expressly approved by Vocopro may void your authority, granted by the FCC, to use this product.

2. **IMPORTANT:** When connecting this product to accessories and/or another product use only high quality shielded cables. Cable(s) supplied with this product **MUST** be used. Follow all installation instructions. Failure to follow instructions could void your FCC authorization to use this product in the U.S.A.

3. **NOTE:** This product has been tested and found to comply with the requirements listed in FCC Regulations, Part 15 for Class "B" digital devices. Compliance with these requirements provides a reasonable level of assurances that your use of this product in a residential environment will not result in harmful interference with other electronic devices. This equipment generates/uses radio frequencies and, if not installed and used according to the instructions found in the owner's manual, may cause interference harmful to the operation of other electronic devices. Compliance with FCC regulations does not guarantee that interference will not occur in all installations. If this product is found to be the source of interference, which can be determined by turning the unit "Off" and "On", please try to eliminate the problem by using one of the following measures:

Relocate either this product or the device that is being affected by the interference.

Use power outlets that are on different branch (circuit breaker or fuse) circuits or install AC line filter(s).

In the case of radio or TV interference, relocate/reorient the antenna. If the antenna lead-in is 300-ohm ribbon lead, change the lead-in to coaxial type cable.

If these corrective measures do not produce satisfactory results, please contact your local retailer authorized to distribute Vocopro products. If you can not locate the appropriate retailer, please contact Vocopro, 1728 Curtiss Court, La Verne, CA 91750.

#### **CAUTION:**

#### **READ THIS BEFORE OPERATING YOUR UNIT**

1. To ensure the finest performance, please read this manual carefully. Keep it in a safe place for future reference.

2. Install your unit in a cool, dry, clean place - away from windows, heat sources, and too much vibration, dust, moisture or cold. Avoid sources of hum (transformers, electric motors). To prevent fire or electrical shock, do not expose to rain and water.

3. Do not operate the unit upside-down.

4. Never open the cabinet. If a foreign object drops into the set, contact your dealer.

5. Place the unit in a location with adequate air circulation. Do not interfere with its

proper ventilation; this will cause the internal temperature to rise and may result in a failure.

6. Do not use force on switches, knobs or cords. When moving the unit, first turn the unit off. Then gently disconnect the power plug and the cords connecting to other equipment. Never pull the cord itself.

7. Do not attempt to clean the unit with chemical solvents: this might damage the finish. Use a clean, dry cloth.

8. Be sure to read the "Troubleshooting" section on common operating errors before concluding that your unit is faulty.

9. This unit consumes a fair amount of power even when the power switch is turned off. We recommend that you unplug the power cord from the wall outlet if the unit is not going to be used for a long time. This will save electricity and help prevent fire hazards. To disconnect the cord, pull it out by grasping the plug. Never pull the cord itself.

10. To prevent lightning damage, pull out the power cord and remove the antenna cable during an electrical storm.

11. The general digital signals may interfere with other equipment such as tuners or receivers. Move the system farther away from such equipment if interference is observed.

**NOTE:** Please check the copyright laws in your country before recording from records, compact discs, radio, etc. Recording of copyrighted material may infringe copyright laws.

#### Voltage Selector (General Model Only)

Be sure to position the voltage selector to match the voltage of your local power lines before installing the unit.



**CAUTION:** The apparatus is not disconnected from the AC power source so long as it is connected to the wall outlet, even if the apparatus itself is turned off. To fully ensure that the apparatus is indeed fully void of residual power, leave unit disconnected from the AC outlet for at least fifteen seconds.



This device complies with Part 15 of the FCC rules. Operation is subject to the condition that this device may not cause harmful interference.

FCC license may be required

## CALIFORNIA PROP 65 WARNING

**⚠ WARNING:** Lithium-ion Batteries and/or products that contain Lithium-ion Batteries can expose you to chemicals including cobalt lithium nickel oxide, and nickel, which are known to the State of California to cause cancer and birth defects or other reproductive harm.

**For more information, go to [www.P65Warnings.ca.gov](http://www.P65Warnings.ca.gov)**



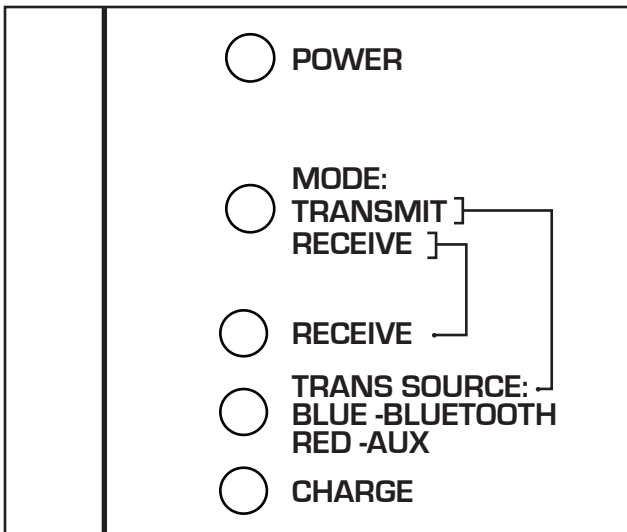
# WHATS IN THE BOX:

- Wireless Receiver
- Charge cable
- Audio cable

# TRANSIT Technical Specs:

- Power supply: 5V
- Power consumption: 0.4W
- Frequency Response: 20Hz - 20kHz
- Wireless Support Match: 1:1 /1:N
- Rechargeable Battery: 3.7V Li-ion, 1800mAh
- Aux 1/8" (3.5mm) Audio Jacks
- USB Power / Charge Port
- Connection LED Indicator Lights
- Charge Time: Approx 5 hours
- Working time:
  - TRANSMIT mode: Approx 6 hours after full charge
  - RECEIVE mode: Approx 16 hours+ after full charge
- Transmitting Distance:
  - 5.8G: Approx 150 feet line of sight
  - Bluetooth: Will vary depending on device, typically 50ft
- Wireless solution: 5.8G stereo audio transmitting/recieving and Bluetooth
- Unit size: 8.5 x 7.2 x 2.8cm





## CONTROL DESCRIPTIONS:

**POWER BUTTON:** Push to turn the unit on and off

**MODE BUTTON:** Push this button to switch between TRANSMIT and RECEIVE Mode.

**RECEIVE MODE LIGHT:** This light indicates that the unit is in receive mode, and is able to receive 5.8G signal from another Transit unit.

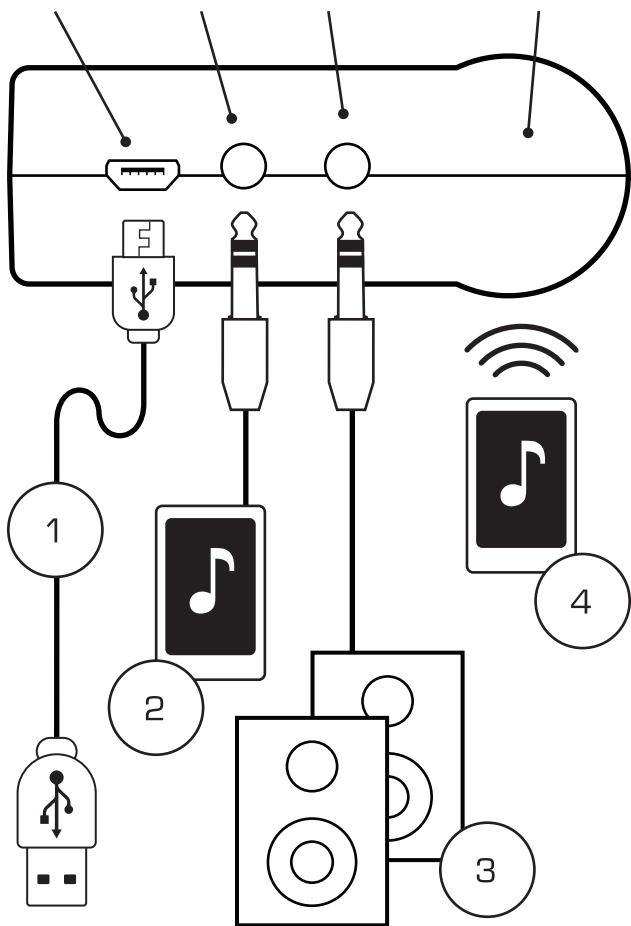
**TRANS SOURCE LIGHT:** This light indicates what audio source the Transit is sending when in TRANSMIT mode  
BLUE Indicates that it is using Bluetooth signal as the audio source

RED Indicates that it is using audio from the Aux input jack

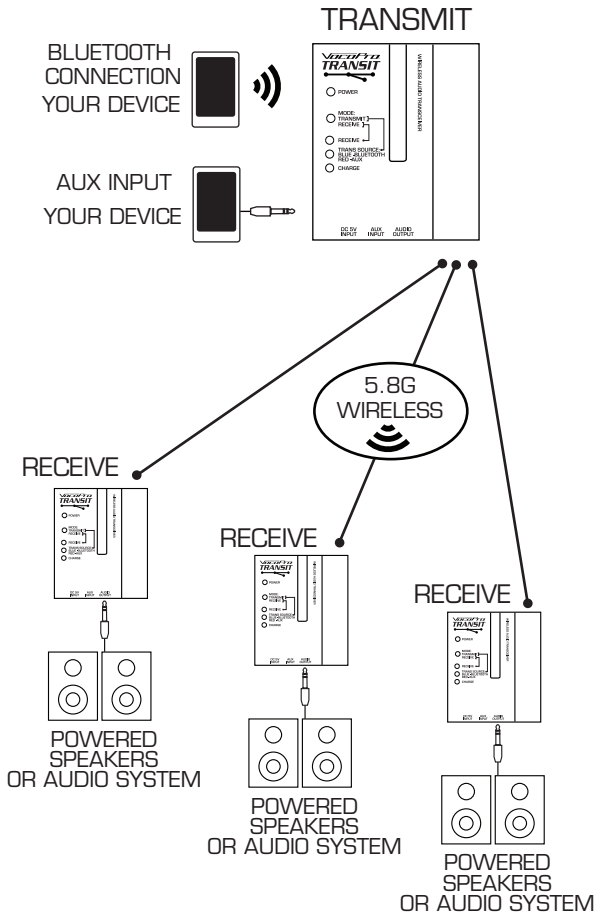
**CHARGE LIGHT:** Indicates the charge status of the unit.

## CONNECTING TO THE DEVICE:

**DC 5V    AUX    AUDIO    BLUETOOTH**



1. **USB CONNECTOR:** Use the USB input to charge the Transit battery. The Charge light will indicate the battery charge status.
  
2. **AUX INPUT:** When in TRANSMIT mode you can playback audio from a device that does not have Bluetooth connectivity using this 1/8" jack with an audio cable.  
**Note:** Plugging an audio cable into this jack will switch the transit to AUX input mode.
  
3. **AUDIO OUTPUT:** When the Transit is in RECEIVE mode, it will receive audio signal from another Transit unit that is in TRANSMIT mode, and output the audio via this audio output jack. Connect your audio system or powered speakers to this output using a 1/8" audio cable.
  
4. **BLUETOOTH CONNECTION:** When the Transit is in TRANSMIT mode, you can use a Bluetooth enabled device as your audio source.  
To connect your Bluetooth device:
  - a. Press the MODE button to put the Transit into TRANSMIT mode.
  - b. Make sure that an audio cable is not connected to the AUX input of the Transit.  
**Note:** Plugging an audio cable into the AUX input jack will switch the transit to AUX input mode.
  - c. The TRANS SOURCE light should begin blinking blue. Search for available devices on your Bluetooth enabled audio device (refer to your device's manual for more information) and connect.
  - d. Once connected, the TRANS SOURCE light will be solid blue. You can now begin playback from your audio device.



#### FCC Warning Statement

Changes or modifications not expressly approved by the party responsible for compliance could void the user's authority to operate the equipment. This equipment has been tested and found to comply with the limits for a Class B digital device, pursuant to Part 15 of the FCC Rules. These limits are designed to provide reasonable protection against harmful interference in a residential installation. This equipment generates uses and can radiate radio frequency energy and, if not installed and used in accordance with the instructions, may cause harmful interference to radio communications. However, there is no guarantee that interference will not occur in a particular installation. If this equipment does cause harmful interference to radio or television reception, which can be determined by turning the equipment off and on, the user is encouraged to try to correct the interference by one or more of the following measures:

- - Reorient or relocate the receiving antenna.
- - Increase the separation between the equipment and receiver.

-  
Connect the equipment into an outlet on a circuit different from that to which the receiver is connected.

- - Consult the dealer or an experienced radio/TV technician for help.

This device complies with part 15 of the FCC Rules. Operation is subject to the following two conditions: (1) This device may not cause harmful interference, and (2) this device must accept any interference received, including interference that may cause undesired operation.