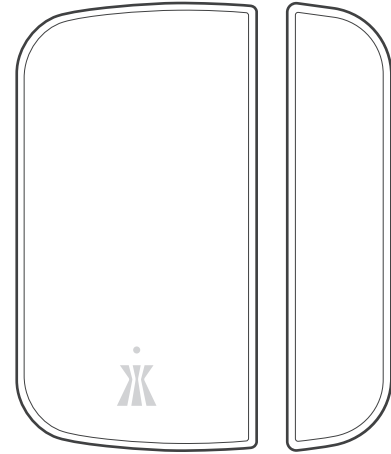


KAPTURE

Door Sensor



KAPTURE

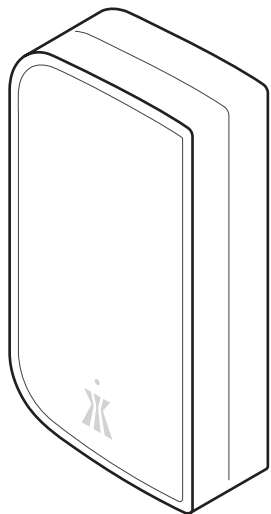
Door Sensor Installation

Model : KP1-DS

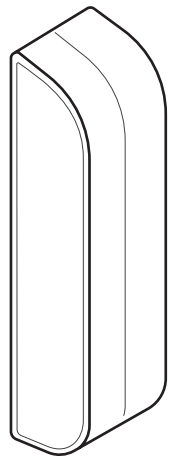
Table Of Contents

Inside the box	1
Installation Instructions	3
Light Indicator Chart	9
FCC statement	13

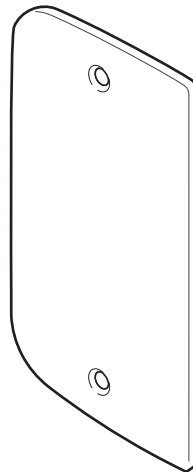
Inside the box



Sensor piece



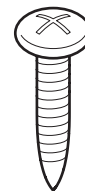
Magnet piece



Sensor Sticker



Magnet Sticker



4x

Screws

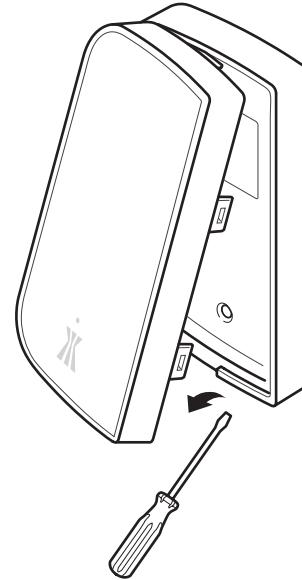
Installation Instructions

There are two installation ways, choose one or both.

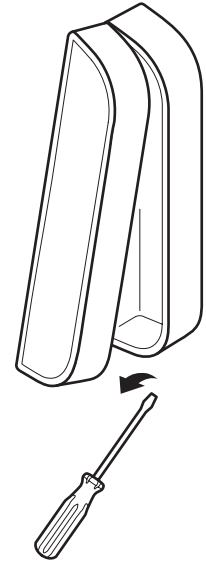
First Way - Install with Screws

Step1. Open Cover

You can use any tool to open the cover from the bottom of door sensor.



Open Sensor Piece

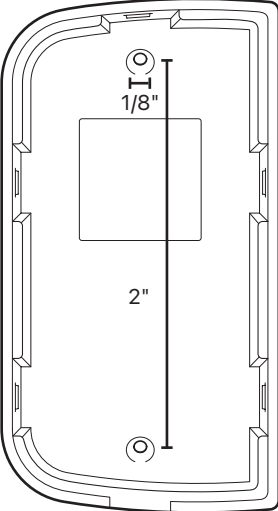


Open Magnet Piece

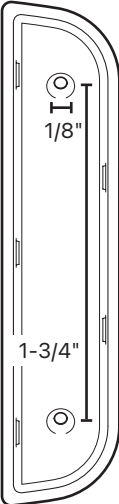
First Way - Install with Screws

Step2. Mark and drill hole location

Use the sensor/magnet mounting part to mark and drill the mounting holes.



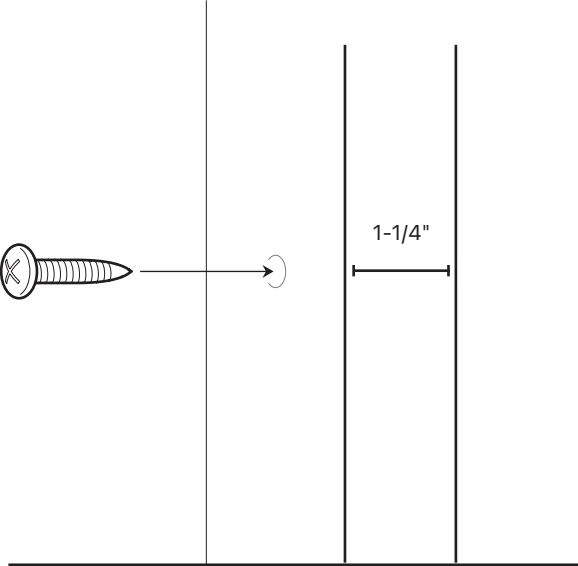
Sensor Mounting Part



Magnet Mounting Part

Notice

Please make sure the object thickness is no less than 1-1/4\"/>



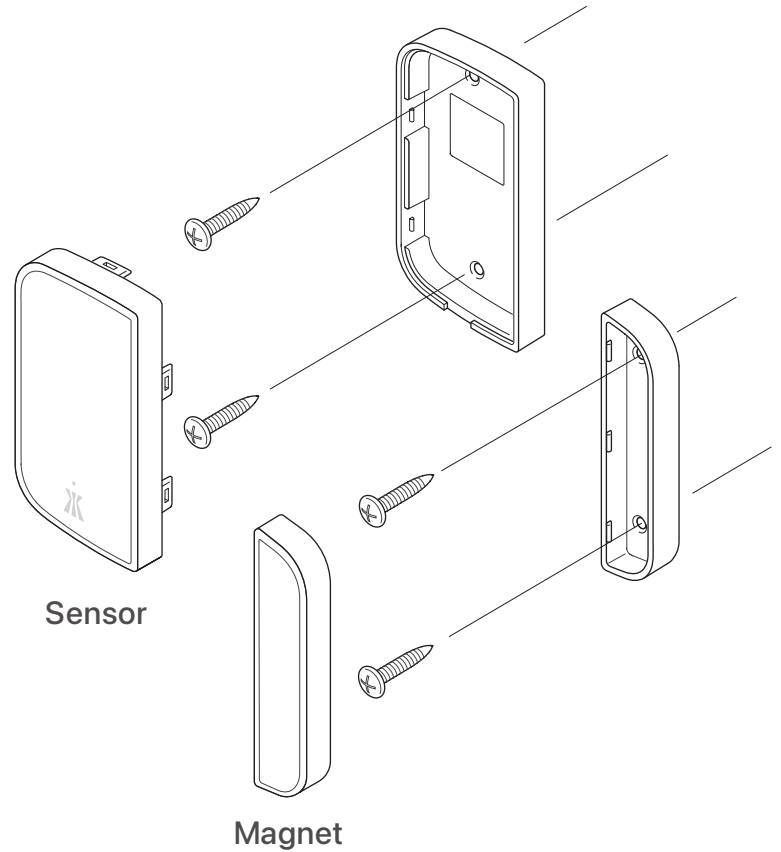
Side View

First Way - Install with Screws

Step3. Installation

After installing the screws, close the cover.

Note that not only the wall, you can also install it wherever you need it, such as a window, door...etc.

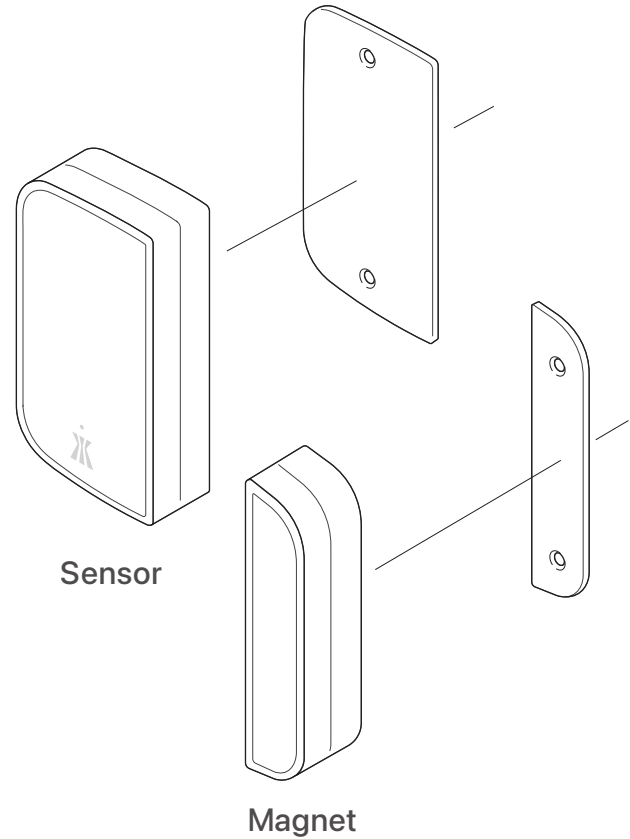


Second Way - Install with Stickers

Step1. Installation

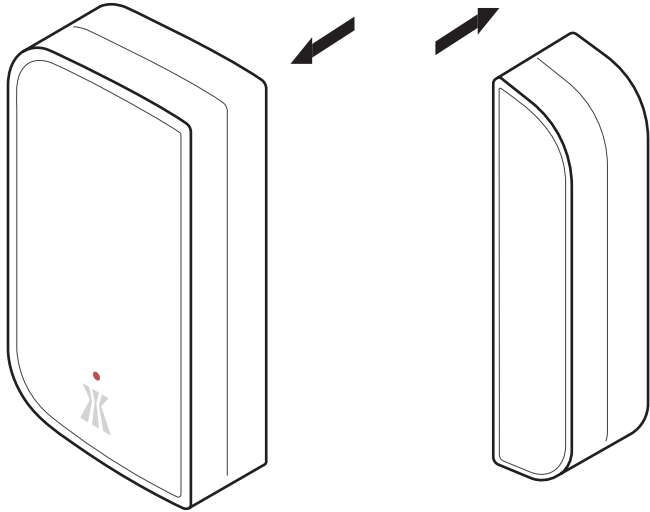
Only use stickers to fix door sensor.

Note that not only the wall, you can also install it wherever you need it, such as a window, door...etc.



Light Indicator Chart

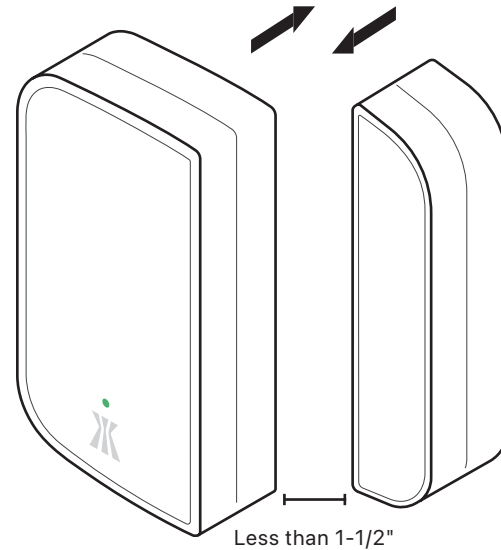
Door Sensor Away - Flash 1 Red LED ●



11

Door Sensor Connect - Flash 1 Green LED ●

Effective distance is less than 1-1/2".



12

FCC Statement

This device complies with part 15 of the FCC Rules. Operation is subject to the following two conditions :

- (1) This device may not cause harmful interference, and
- (2) This device must accept any interference received, including interference that may cause undesired operation.

NOTE: This equipment has been tested and found to comply with the limits for a Class B digital device, pursuant to part 15 of the FCC Rules. These limits are designed to provide reasonable protection against harmful interference in a residential installation.

This equipment generates, uses and can radiate radio frequency energy and, if not installed and used in accordance with the instructions, may cause harmful interference to radio communications. However, there is no guarantee that interference will not occur in a particular installation.

If this equipment does cause harmful interference to radio or television reception, which can be determined by turning the equipment off and on, the user is encouraged to try to correct the interference by one or more of the following measures :

- Reorient or relocate the receiving antenna.
- Increase the separation between the equipment and receiver.
- Connect the equipment into an outlet on a circuit different from that to which the receiver is connected.
- Consult the dealer or an experienced radio/TV technician for help.

Changes or modifications not expressly approved by the party responsible for compliance could void the user's authority to operate the equipment.

This device has been evaluated to meet general RF exposure requirement. The device can be used in portable exposure condition without restriction.

This equipment complies with FCC radiation exposure limits set forth for an uncontrolled environment.

This equipment should be installed and operated with a minimum distance of 20 cm between the radiator and a human body.

