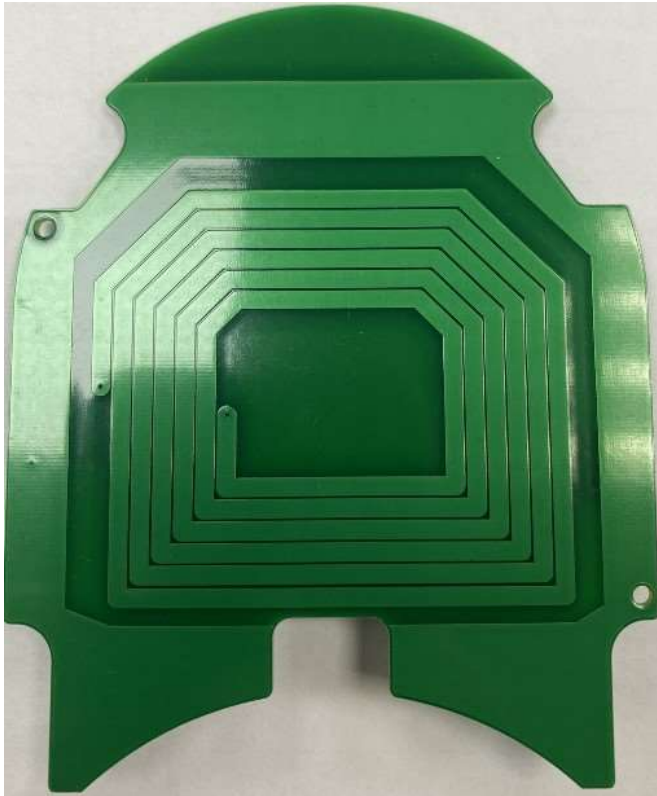


ALZK

安聯智能13.56MHz NFC Antenna



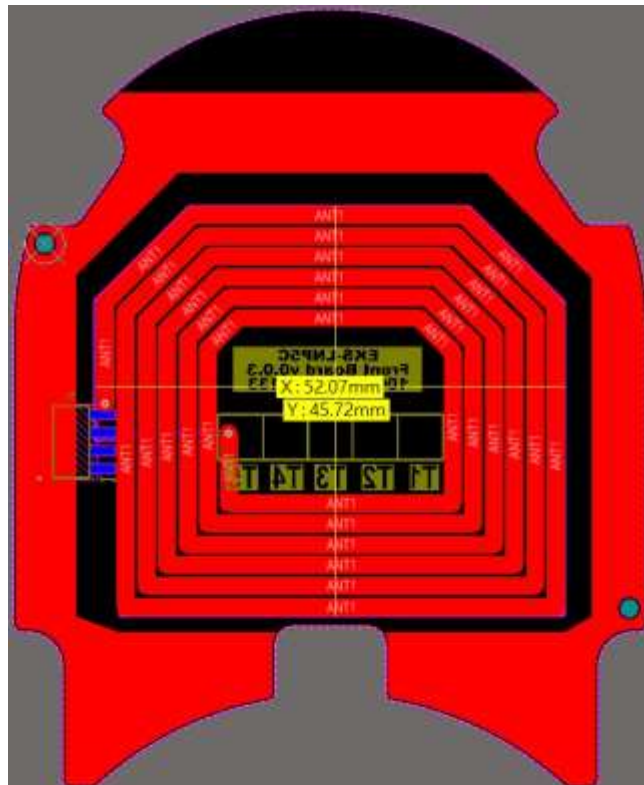
Brand Name : Alzk

Modle Name : Alzk-EKSLNP5C-NFC

Antenna Type: Loop PCB Antenna

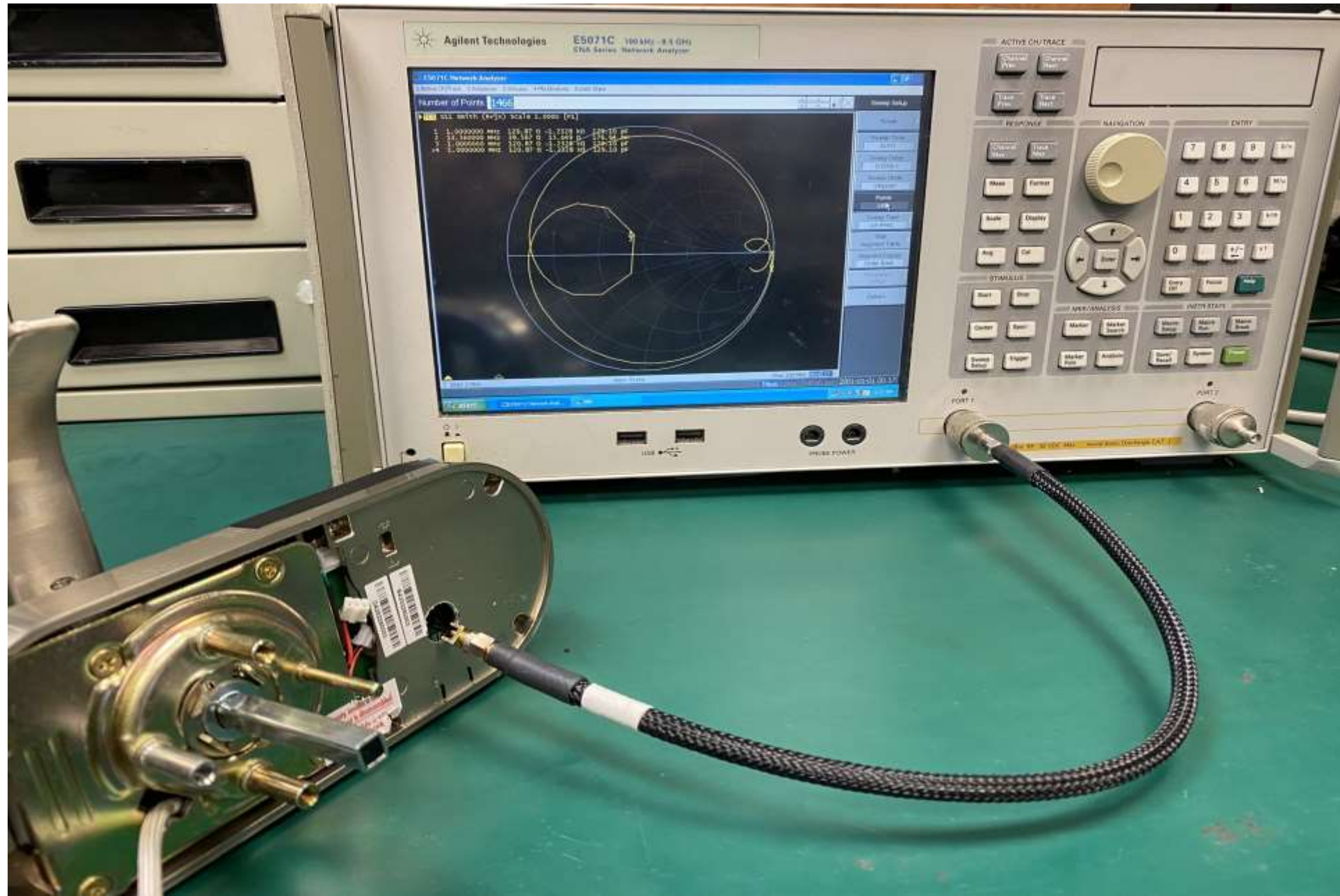
Electrical Specifications

Frequency [MHz]	13.56
Impedance [Ω]	50
NFC Antenna Type	Loop PCB
NFC Printed Antenna Inductance (μH)	1.9
Antenna Gain(dbi)	0

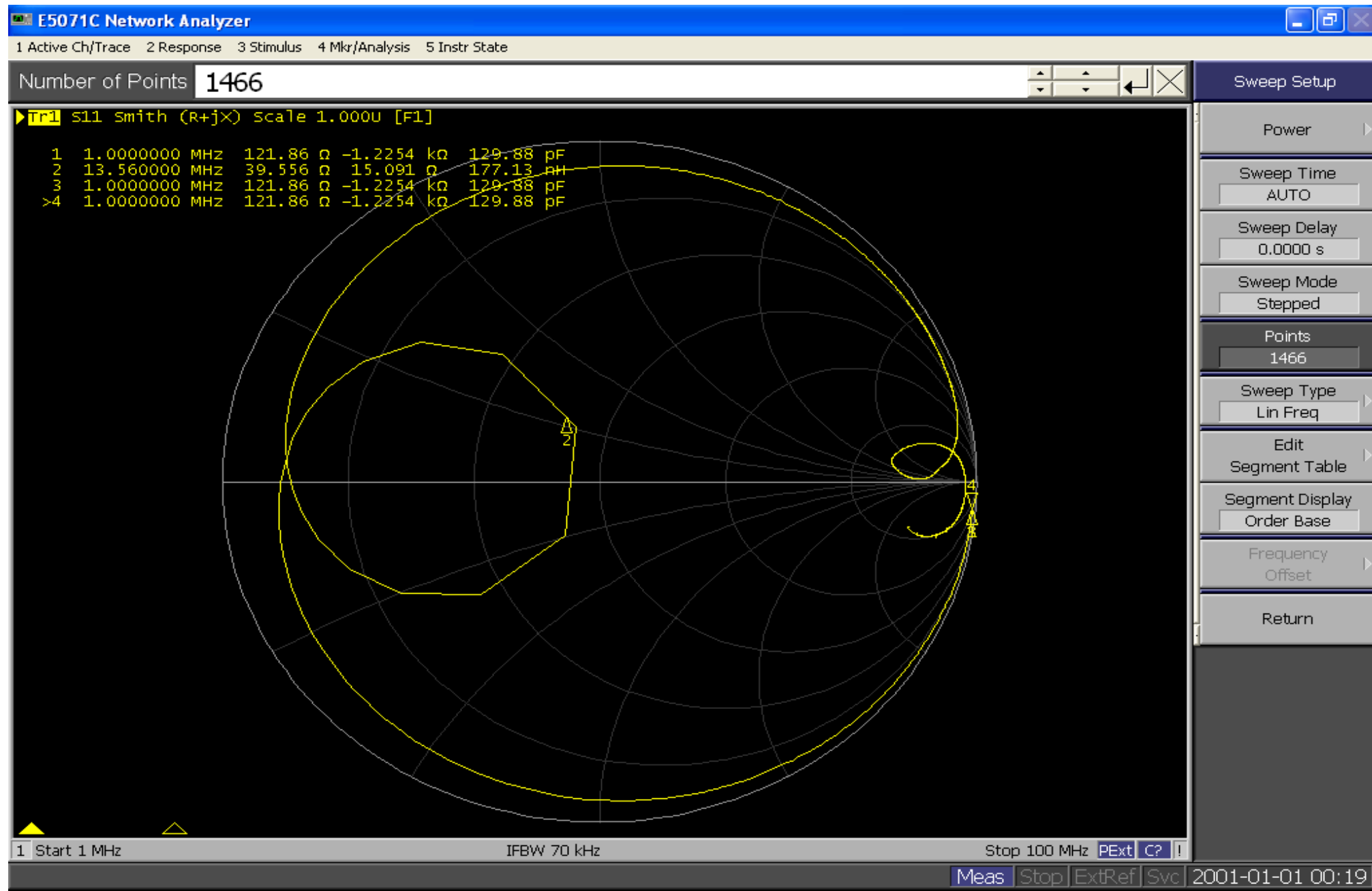


Dimensions(mm)	52 x 45
----------------	---------

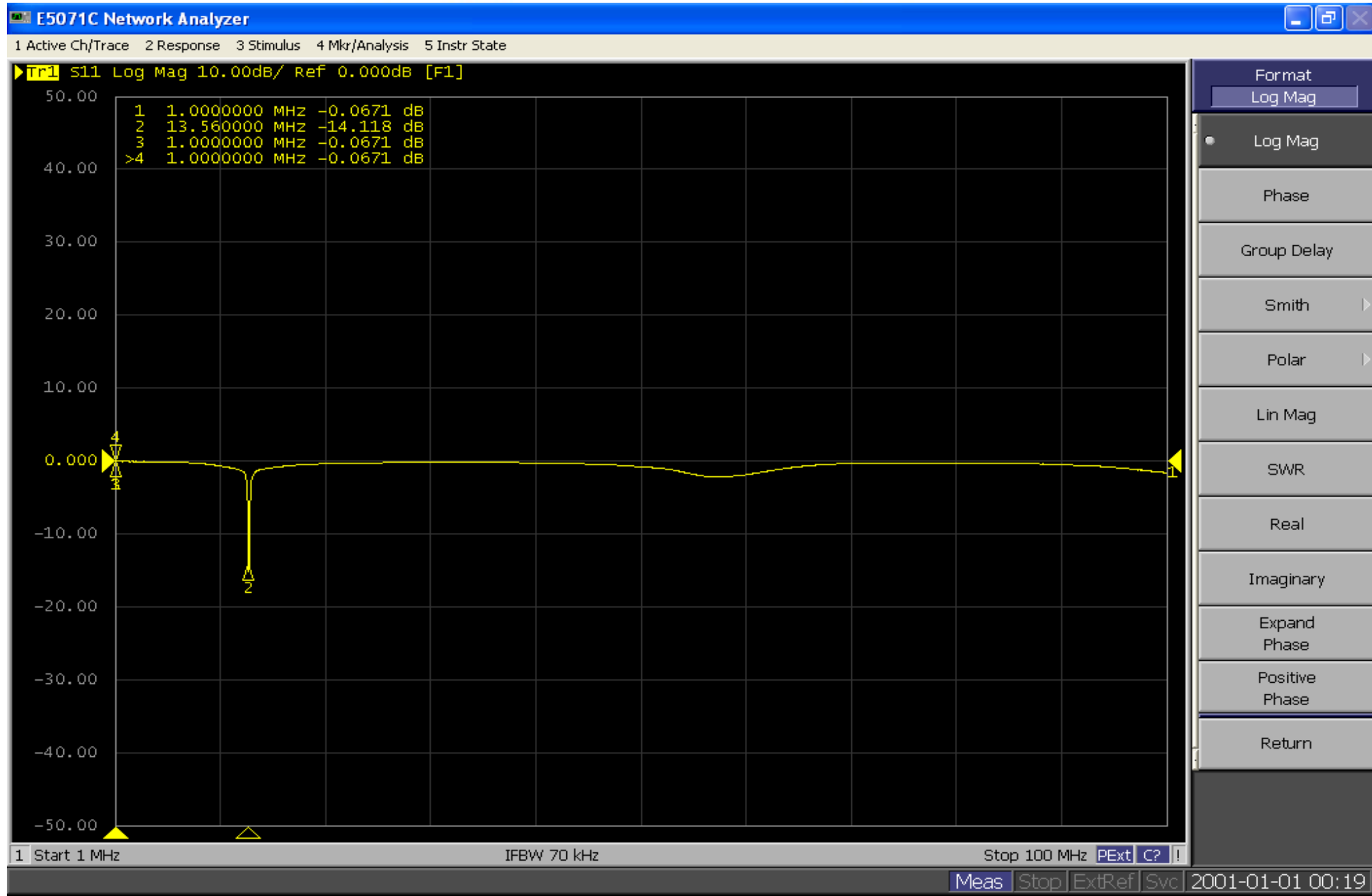
Environment



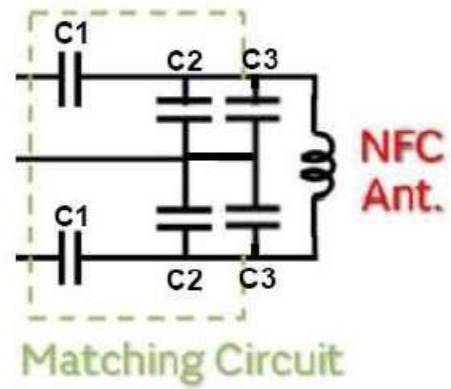
Antenna S11 smith



Antenna S11 RETURN LOSS



Matching Circuit



No.	C1	C2	C3
Description	47pF	200pF	15pF