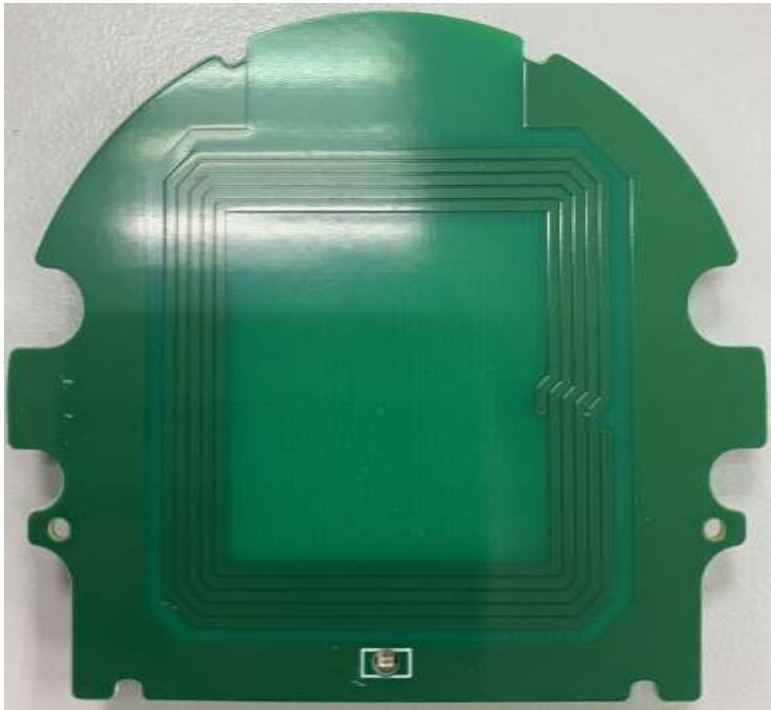


# ALZK

## 安聯智能13.56Mhz NFC Antenna



Brand Name : Alzk

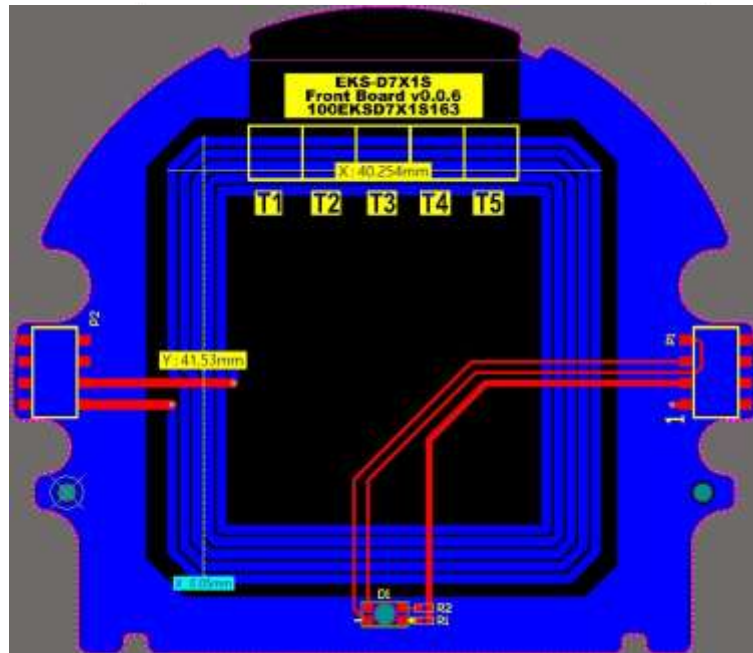
Model Name : Alzk-EKSD7X1S-NFC

Antenna Type: Loop PCB Antenna

# Electrical Specifications

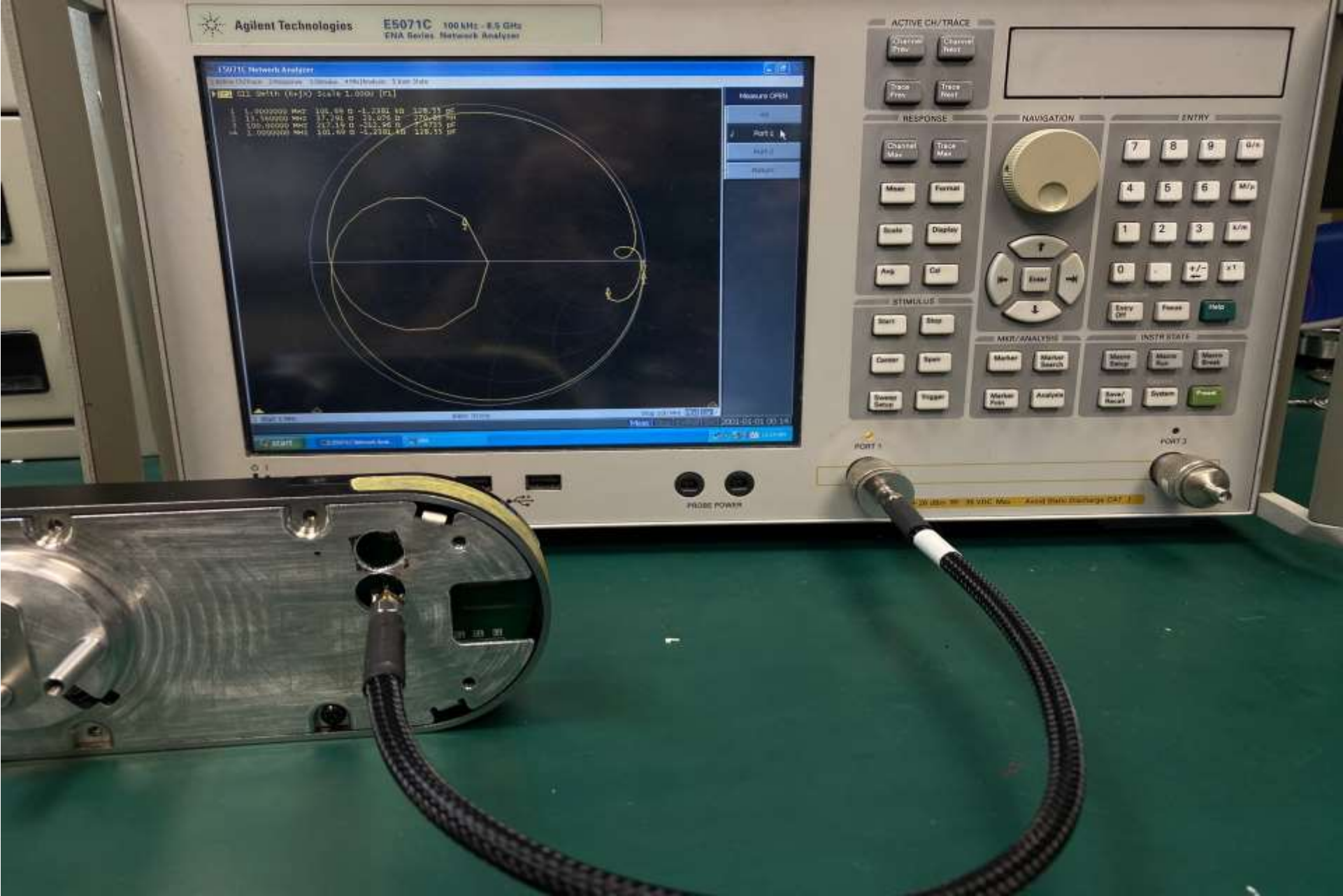
Frequency [MHz]	13.56
Impedance [ $\Omega$ ]	50
NFC Antenna Type	Loop
NFC Printed Antenna Inductance ( $\mu\text{H}$ )	1.36
Antenna Gain(dbi)	0

# Antenna Dimensions Specifications

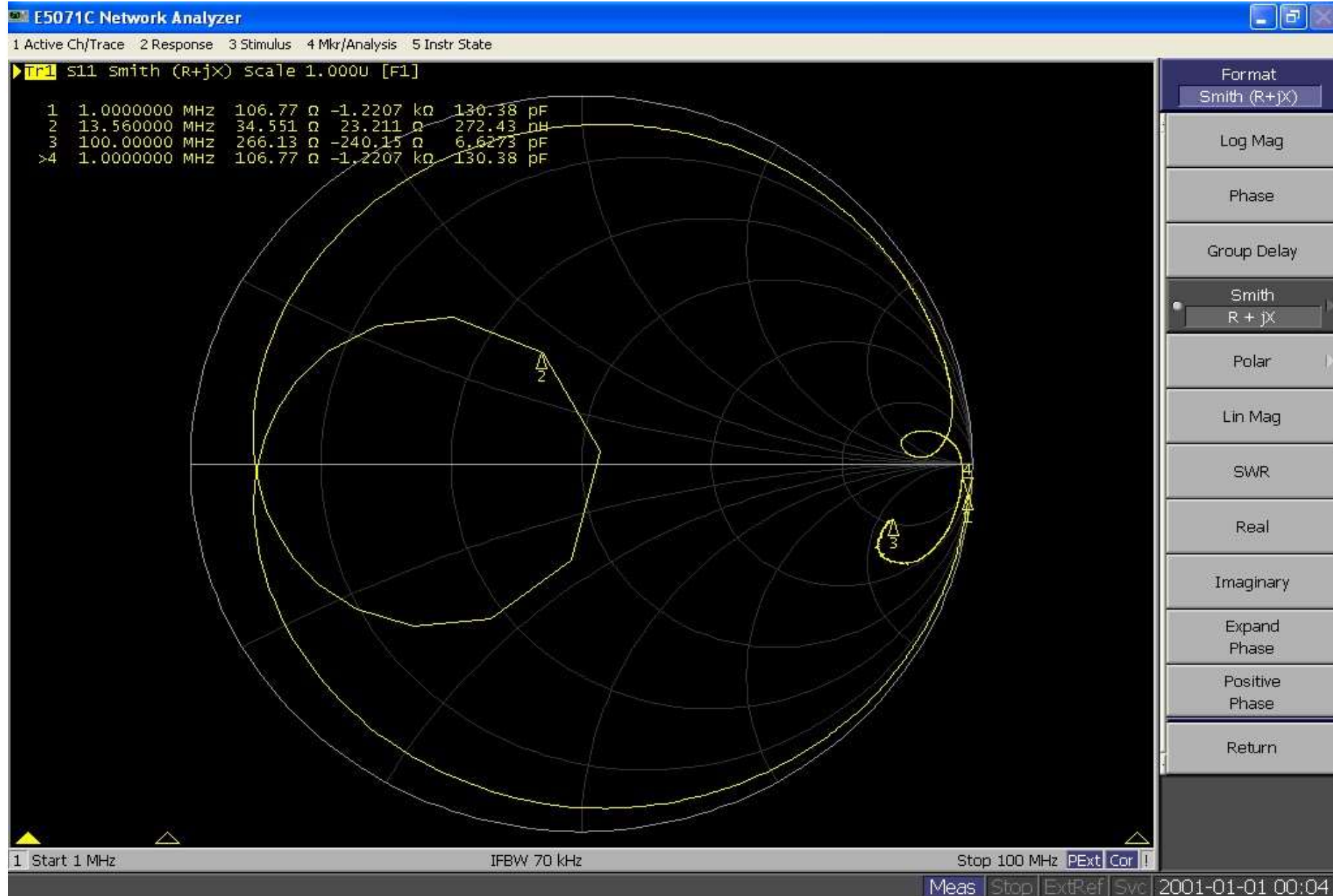


Dimensions(mm)	40.2 x 41.5
----------------	-------------

# Environment

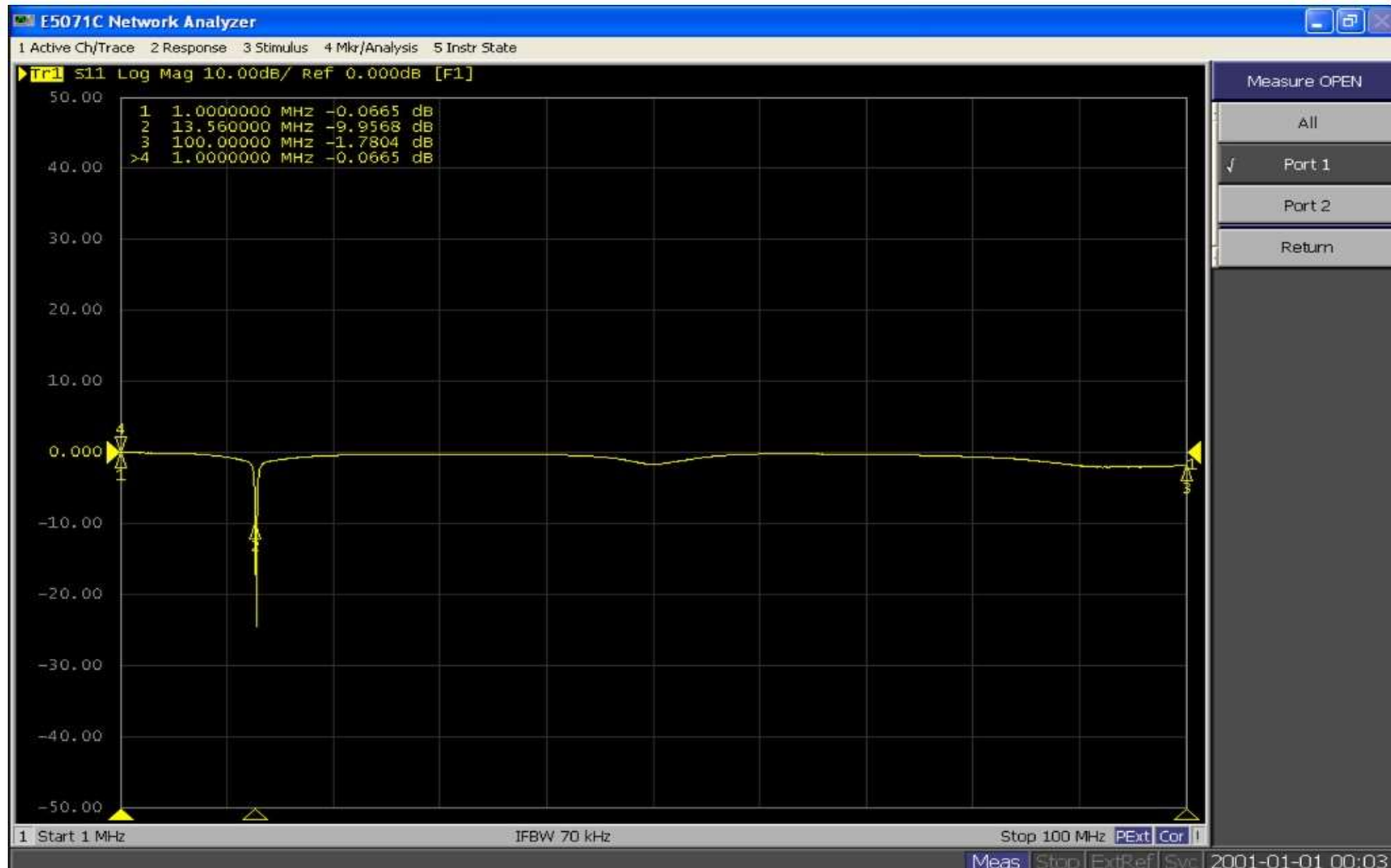


# Antenna S11 smith

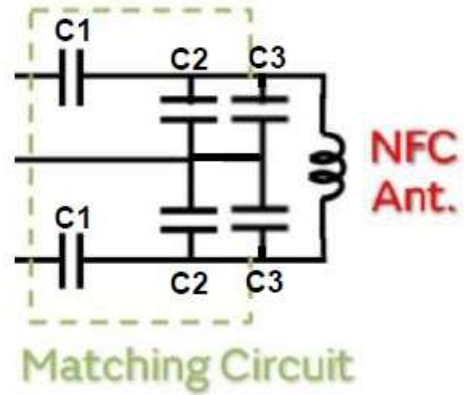




# Antenna S11 RETURN LOSS



# Matching Circuit



No.	C1	C2	C3
Description	18pF	150pF	12pF