

Thank you for purchasing and using **HOVR 1.0 2000 BT** laser rangefinder



Product standard configuration: host, battery, hang rope, lens cloth, manual, warranty card, quality certificate

Product Order Information

Measuring Range Maximum measuring range: 2000 meters

FCC ID: 2AQ86HOVR2000BT

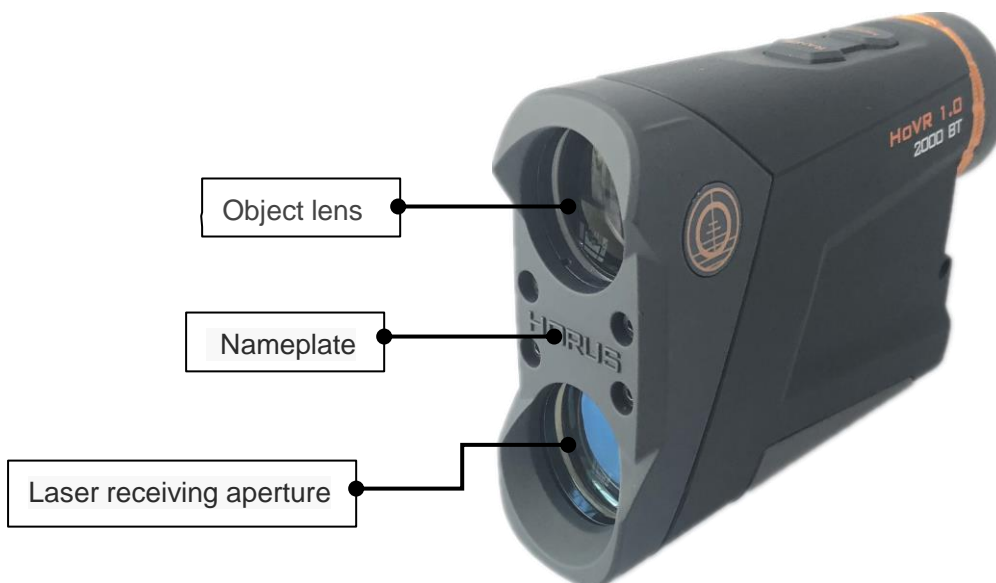
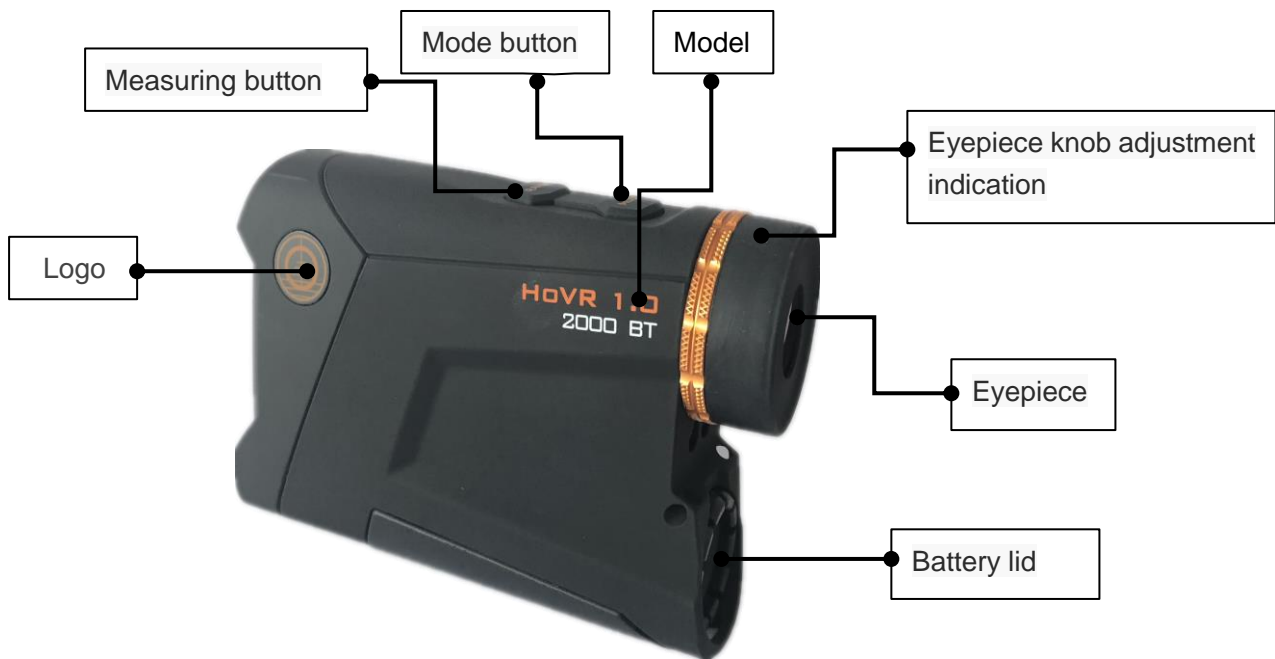
The following images display distance in filed measurement of different models



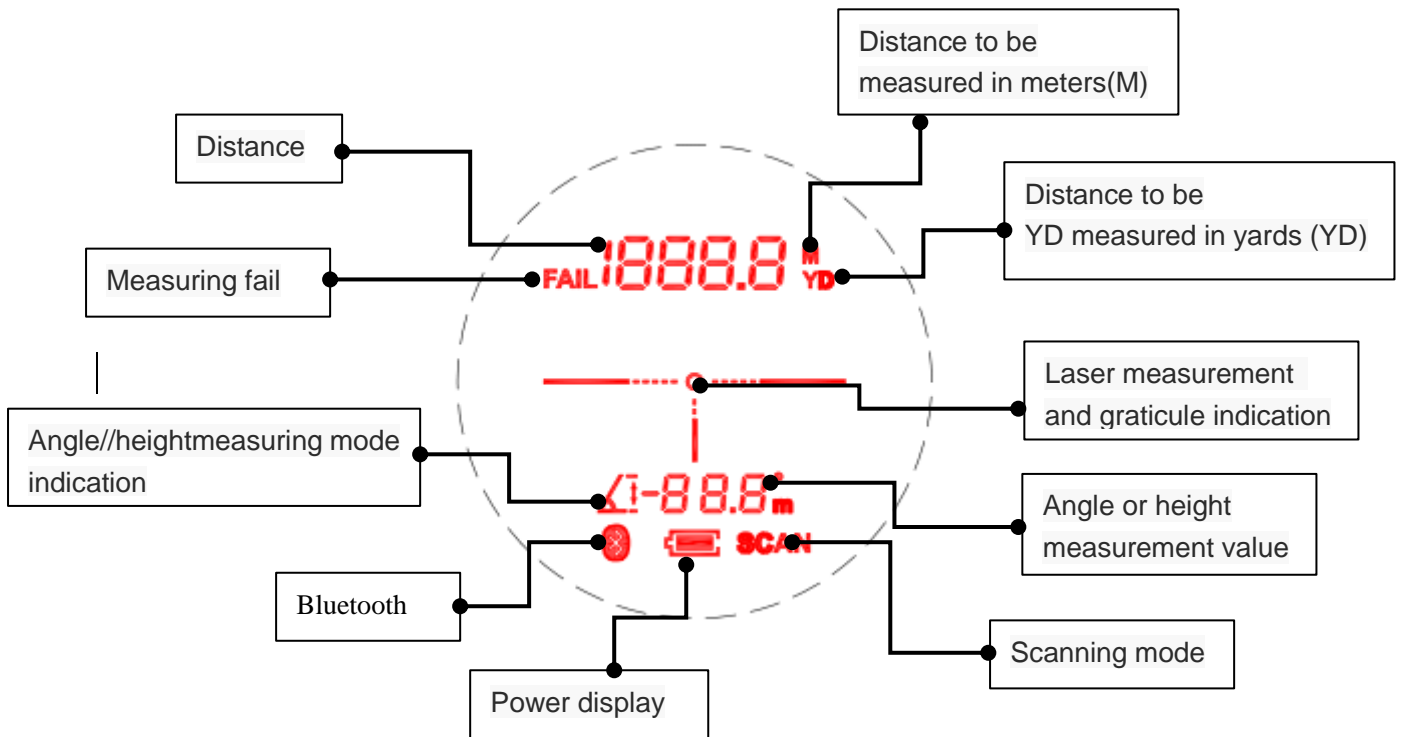
The measuring range of this series of rangefinders is defined under the following conditions:

- 1 Measuring target is of moderate reflectivity, such as building walls
- 2 Measuring targets' reflective surfaces are perpendicular to the laser
- 3 The weather for measuring should be sunny but not under direct sunlight
4. The size of reflective measuring surface should be no less than 2m*2m

Features:



LCD Display:



Applications and main product features

1. The product has a 6x optical viewing system fulfilling the measuring function. It can be customized according to customer requirements; for detailed information, please contact the local dealer.
2. The product is gracefully designed under the concept of human engineering
3. The product waterproof ability meets up with the class of IP54 (Not for underwater use)
4. The product has automatic shutdown function (8 seconds if unattended).

Measuring objects

The laser rangefinder is suitable for measuring high reflectivity objects (such as highway signs), moderate reflectivity objects (such as building walls) and low reflectivity objects (such as trees, golf flag etc). The measuring range will be shortened as reflectivity declines.



Moderate reflective object High reflective object Low reflective object

Other Considerations

1. Generally, the higher the reflectivity of the objects the better the ranging ability is. For example, for moderate reflectivity objects, the measuring range can be up to 1,500 meters. For high reflective objects, the measuring range is beyond 1800 meters. But for low reflectivity ones, the figure is 800 meters.
2. Under the same conditions, the ranging ability will be better if the measured object is vertical with the laser. In some extreme situations, it's possible that the measuring range cannot meet the ranging ability specified in the manual.
3. Under the same conditions, the size and shape of the objects may influence the ranging ability. If the surface measured is small, and behind it are other objects, the laser rangefinder will only get the range of the first reflective object.

Precautions:

Do not stare at the laser beam for a long time.

The product's safety meets up with FDA Class 1 on vision, which means that under the condition of ordinary use, there is no risk of staring at the laser. However like any other laser device, proper precautions should be taken during the operation. It is recommended that not to stare at the laser emission hole while operating. Using other optical instruments together with this product may injure the eyes.

Do not measure the sun.

Measuring the sun through this product may cause permanent eye injury.

Do not target directly at the sun.

The internal components of lens system will get permanent damage when lens is placed directly under the sunlight, even for a short time.

Do not place the eyepiece under direct sunlight.

Place the eyepiece under direct sunlight may damage the internal display.

Do not store or use the product in extreme temperature conditions.

The temperature range for using the product is -4° F to + 140° F (0 ° C to 50 ° C). Do not store or use the product beyond the above temperature conditions.

Specifications

Technical Data	Performance parameter
Models	HOVR 1.0 2000 BT
Measuring Range	0-2000M
Accuracy	±1M
Function of measuring height and angle	Yes

Angle measuring accuracy	±0.5°
Angular range	±90°
Bluetooth	Yes I
Scan Mode	Yes
The locking function	Yes
Laser Wavelength	905nm (laser class 1)
Telescope Magnification	6x
Eyepiece lens diameter	16mm
Object lens diameter:	26mm
Field angle	5°
Battery	CR2-3.0V
Weight	187g(exclude battery)
Waterproof	IP54
Dimensions	110mm*75mm*35mm
Operating Temperature	-10°C-50°C

Change units and measuring mod

Select the display unit (factory default unit: m)

1. Make sure the LCD is powered and displayed normally.
2. Press the MODE button and hold for more than 2 seconds, then you can activate the unit switch. (M is converted to YD), or (YD is converted to M)
3. After the mode button is released, you can switch and leave the settings.



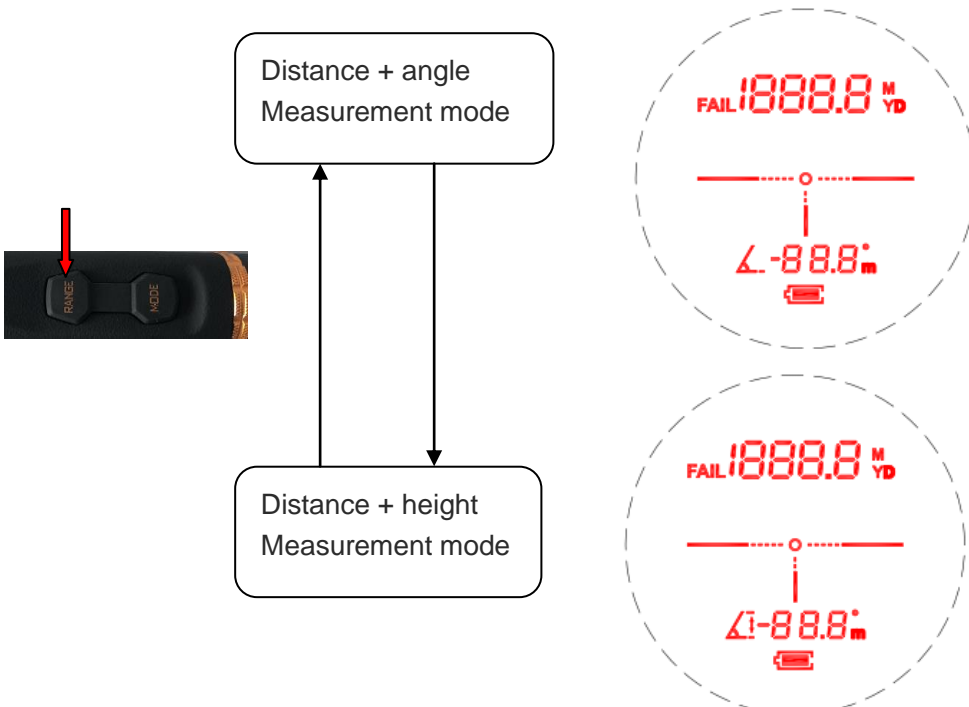
Function selection:

1. Single range mode

No mode conversion, press the measurement key to measure.

2. Ranging + angle + height measurement mode

Press the MODE button, the mode is switched in the following Order.



After the mode button is released, switch and keep the setting and press the measuring key to measure.

Range + Angle Measurement

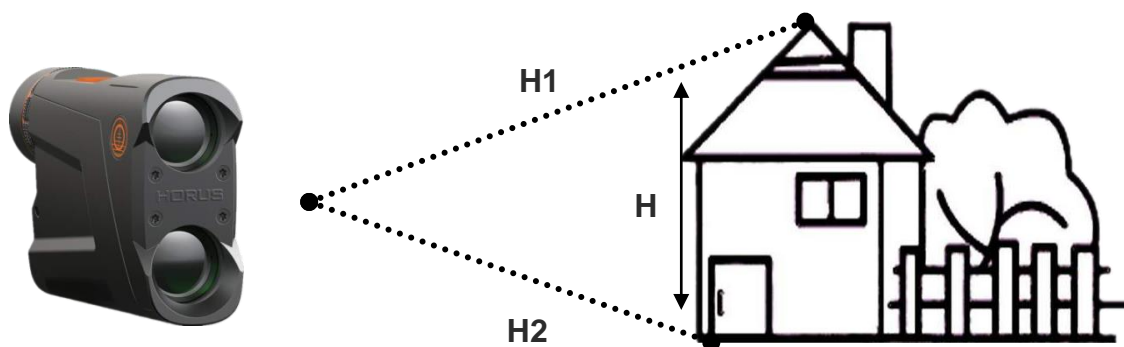
Press the Power button to start single measurement.

Range + Height Measurement

Press the Power button and aim at the object to measure H1;

Press the Power button and aim at the object to measure H2;

The Height H showed on the screen.



Outline instructions

1. Install the lithium batteries (refer to the operating instruction for more details)
2. This product can be used by users with or without glasses.
3. Turn the eyepiece for a clear image.
4. Measure (While the rangefinder is off)
5. Automatic shutdown after 8 seconds if unattended.



Battery Instructions

Specification: 3 v, CR2 lithium battery

Status;



Full power:

Battery runs out and needs to be replaced:

(When the battery indicator flickers, the product  **stops working)**

Replace Battery

Open the battery lid by turning it counterclockwise, remove the old battery and replace it with the new battery. Make sure that you insert the new battery in the right direction (otherwise, the product will not work). Close the battery lid by turning it clockwise.

Battery Service Life

Continuous operation times: 5000 times. The figure will change due to different conditions in terms of reflectivity of measured objects and the working temperatures.

Battery Cautions

1. If handled improperly, the battery may cause leakage leading to equipment corrosion or clothing stain.
2. The battery should be installed with the “+ , -” poles in right direction as labeled.
3. Please take out the battery if it runs out or not using it for a long time.
4. Please replace the battery with the same type.
5. Please don't put the battery together with metal such as keys and coins for it may cause overheating of short circuit of the battery.
6. Please don't charge the lithium battery or it may result in leakage or damage to the equipment.
7. Don't store the lithium battery in extreme temperature.

Remark:

Recommended to purchase special battery

Safe use

Please read the manual for safe considerations before using this product in order to avoid potential injury. Please place this manual where easy to refer to.

Product packaging and waste products should be treated or recycled follow the local law in a proper manner

Warnings

- Do not look at laser beam while using the product.
- Do not press the measuring button and mode button at the same time when lens aiming at object or checking optical system.



- Do not use other additional optical units to operate the product to avoid the risk of eye damage.
- Do not disassemble the product, otherwise the product will not be warranted by the manufacturer.
- Please put enough wrapping materials in the packing box to prevent goods' damages in transportation.
- Please remove the battery immediately and stop using the product if it falls onto the ground and generates abnormal sound.
- Please keep the product away from children. Don't put it on a high but uneven place to prevent goods' damages if it falls onto the ground.
- Do not place it in cars under direct sunlight or an environment with intense UV radiation

or near a heat source, otherwise the product will be damaged.

- If the product is used under rapid-changing temperatures; the lens surface will be covered by fog. Please don't use the product before the fog evaporates.
- With unclear exterior lens please use soft and clean cloth to clear it up. Never touch the lens with fingertips in order to protect the film on its surface.
- Considering service life, it is suggested not to measure objects within 20 meters too often or measure objects with high reflectivity too close or too often.
- Labelling requirements. This device complies with part 15 of the FCC Rules. Operation is subject to the following two conditions: (1) This device may not cause harmful interference, and (2) this device must accept any interference received, including interference that may cause undesired operation.
- Information to user.

Any Changes or modifications not expressly approved by the party responsible for compliance could void the user's authority to operate the equipment.

- Information to the user.

Note: This equipment has been tested and found to comply with the limits for a Class B digital device, pursuant to part 15 of the FCC Rules. These limits are designed to provide reasonable protection against harmful interference in a residential installation. This equipment generates uses and can radiate radio frequency energy and, if not installed and used in accordance with the instructions, may cause harmful interference to radio communications. However, there is no guarantee that interference will not occur in a particular installation. If this equipment does cause harmful interference to radio or television reception, which can be determined by turning the equipment off and on, the user is encouraged to try to correct the interference by one or more of the following measures:

- Reorient or relocate the receiving antenna.
- Increase the separation between the equipment and receiver.
- Connect the equipment into an outlet on a circuit different from that to which the receiver is connected.
- Consult the dealer or an experienced radio/TV technician for help.

- RF warning for Portable device:

The device has been evaluated to meet general RF exposure requirement. The device can be used in portable exposure condition without restriction.

