



D7 75" Product Guide

Packing List

1. DTEN D7 75" (Standard) X 1

2. Wall Mount Brackets X 1

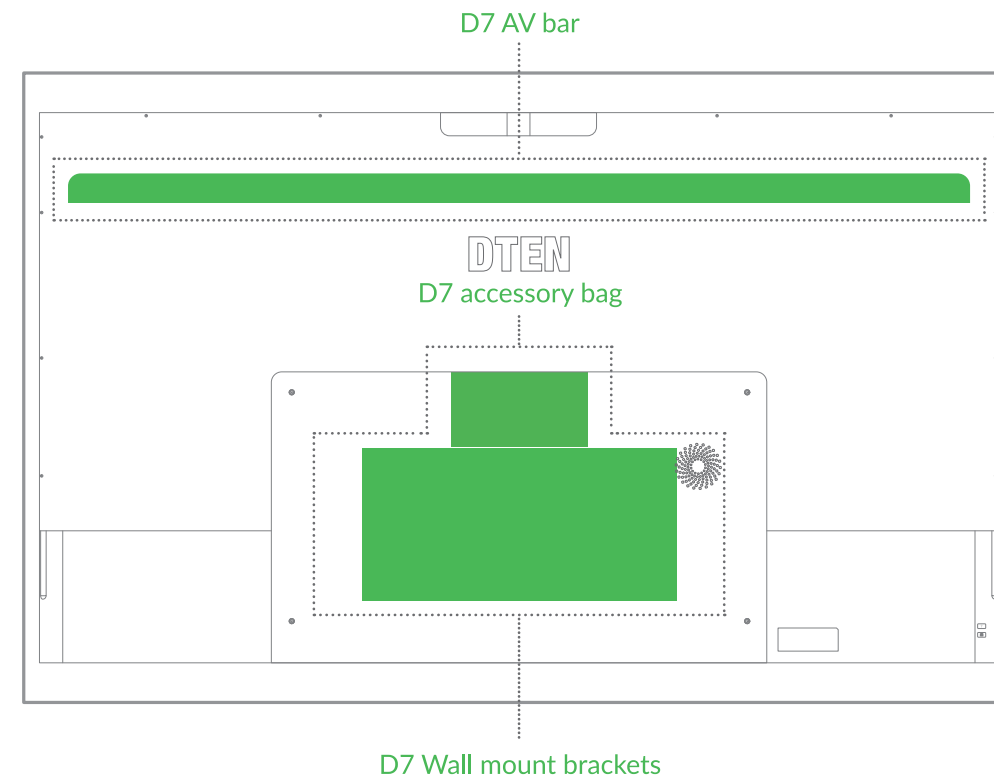
* The bracket pieces are stored at the bottom of the box (beneath the foam).

3. Stylus X 1

4. Power Cable (AC 100V-240V) X 1

⚠ Do not disassemble the D7 without the supervision of a DTEN technician. Improper use may be subject to voiding the warranty.

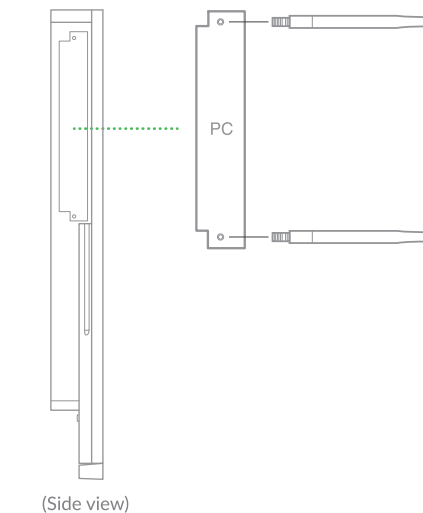
What's Inside



Quick Setup

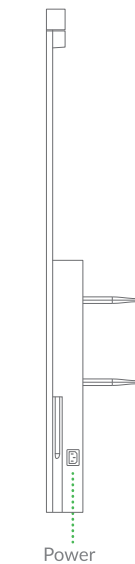
STEP 1

Install the antennas.



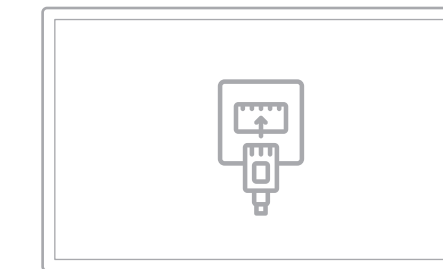
STEP 2

Plug in the power cord to the outlet.
The display will turn on.



STEP 3

Follow the instructions on-screen to set up the network.
Ethernet connection is preferred.



* For more info about the product, please visit dten.com

Zoom Rooms Setup

STEP 1 You need a Zoom Rooms account to sign in.

STEP 2 Select an existing room or create a new room.

* Please go to Zoom Help Center for more info

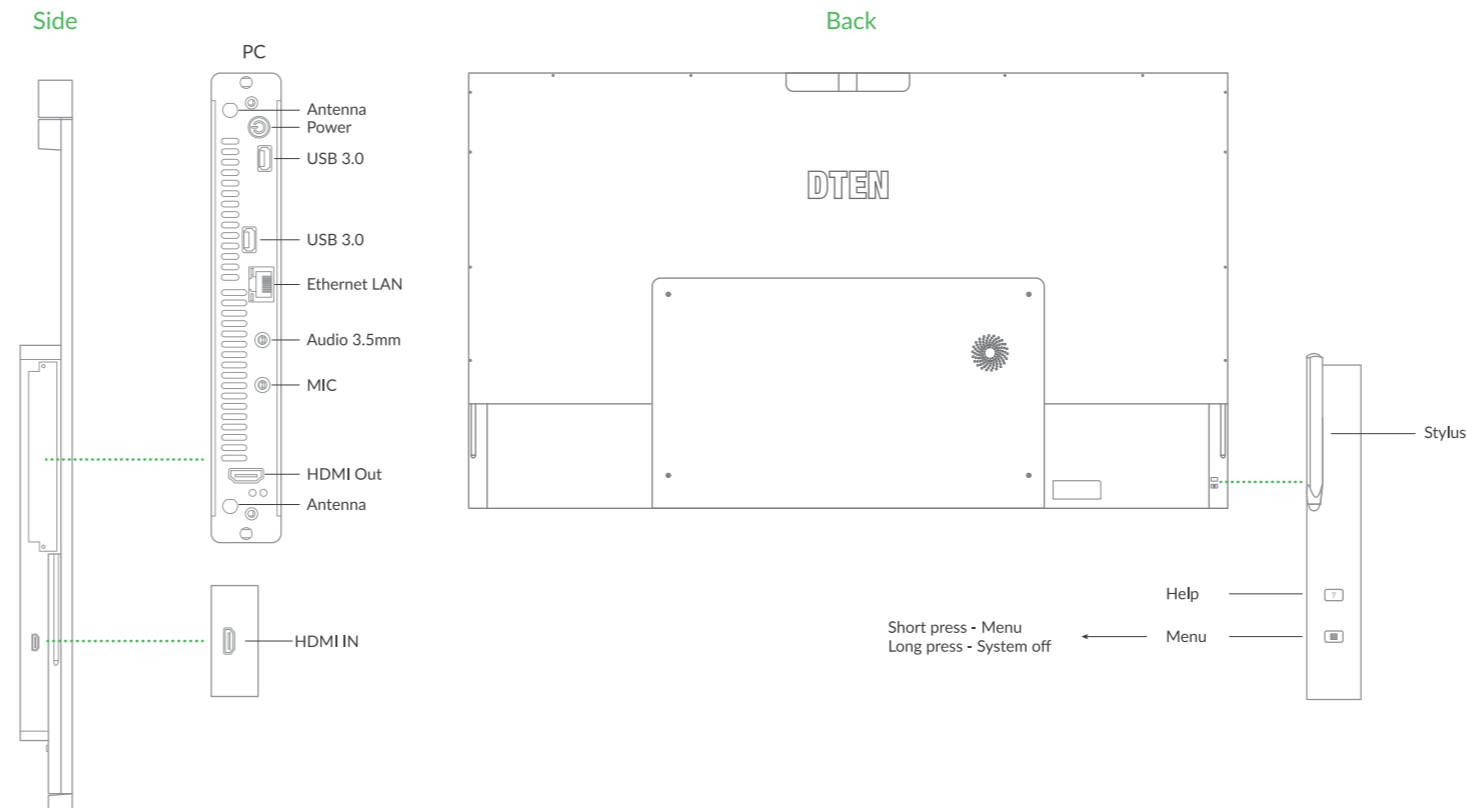
Tips

1. Ethernet connection is preferred for the best meeting experience.
2. To pair with the zoom rooms controller, please visit zoom.us.
3. Please do not disconnect the power without properly shutting down the system.
4. Do not disassemble the DTEN product without the supervision of a DTEN technician.

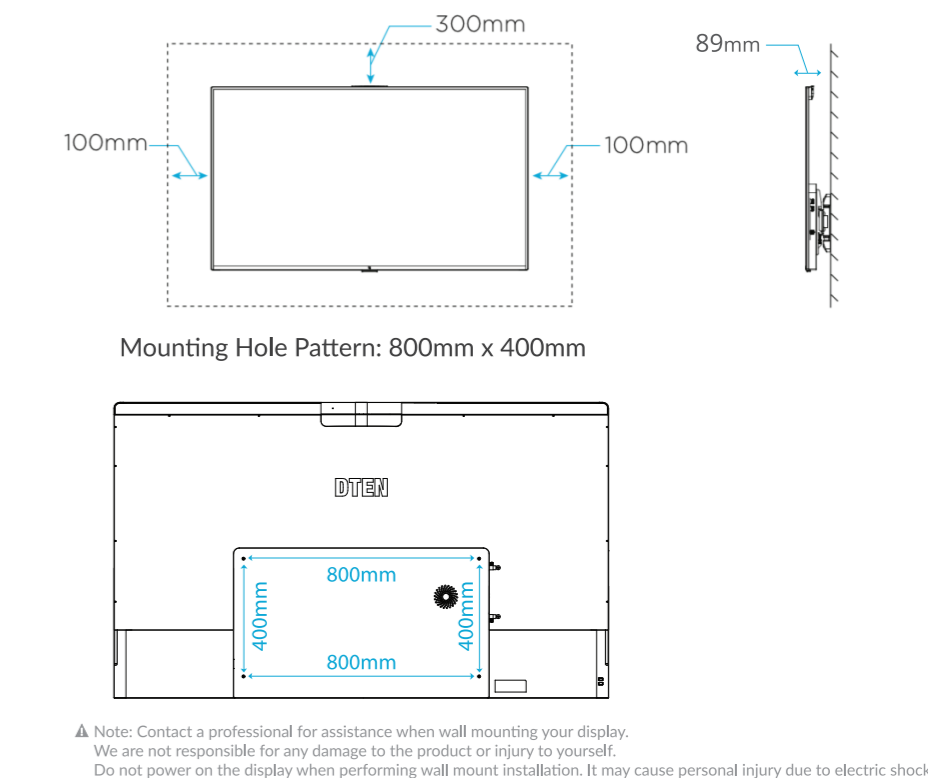
If you have any questions, feel free to contact us.

✉ SUPPORT@DTEN.COM ☎ +1.866.936.3836

Port Diagram



Wall Mount



FCC Warning

a、 § 15.19 Labeling requirements.

This device complies with part 15 of the FCC Rules. Operation is subject to the following two conditions: (1) This device may not cause harmful interference, and (2) this device must accept any interference received, including interference that may cause undesired operation.

b、 § 15.21 Changes or modification warning.

Any Changes or modifications not expressly approved by the party responsible for compliance could void the user's authority to operate the equipment.

c、 § 15.105 Information to the user.

Note: This equipment has been tested and found to comply with the limits for a Class B digital device, pursuant to part 15 of the FCC Rules. These limits are designed to provide reasonable protection against harmful interference in a residential installation. This equipment generates uses and can radiate radio frequency energy and, if not installed and used in accordance with the instructions, may cause harmful interference to radio communications. However, there is no guarantee that interference will not occur in a particular installation. If this equipment does cause harmful interference to radio or television reception, which can be determined by turning the equipment off and on, the user is encouraged to try to correct the interference by one or more of the following measures:

- Reorient or relocate the receiving antenna.
- Increase the separation between the equipment and receiver.
- Connect the equipment into an outlet on a circuit different from that to which the receiver is connected.
- Consult the dealer or an experienced radio/TV technician for help.

This equipment complies with FCC radiation exposure limits set forth for an uncontrolled environment. This equipment should be installed and operated with minimum distance 20cm between the radiator & your body.