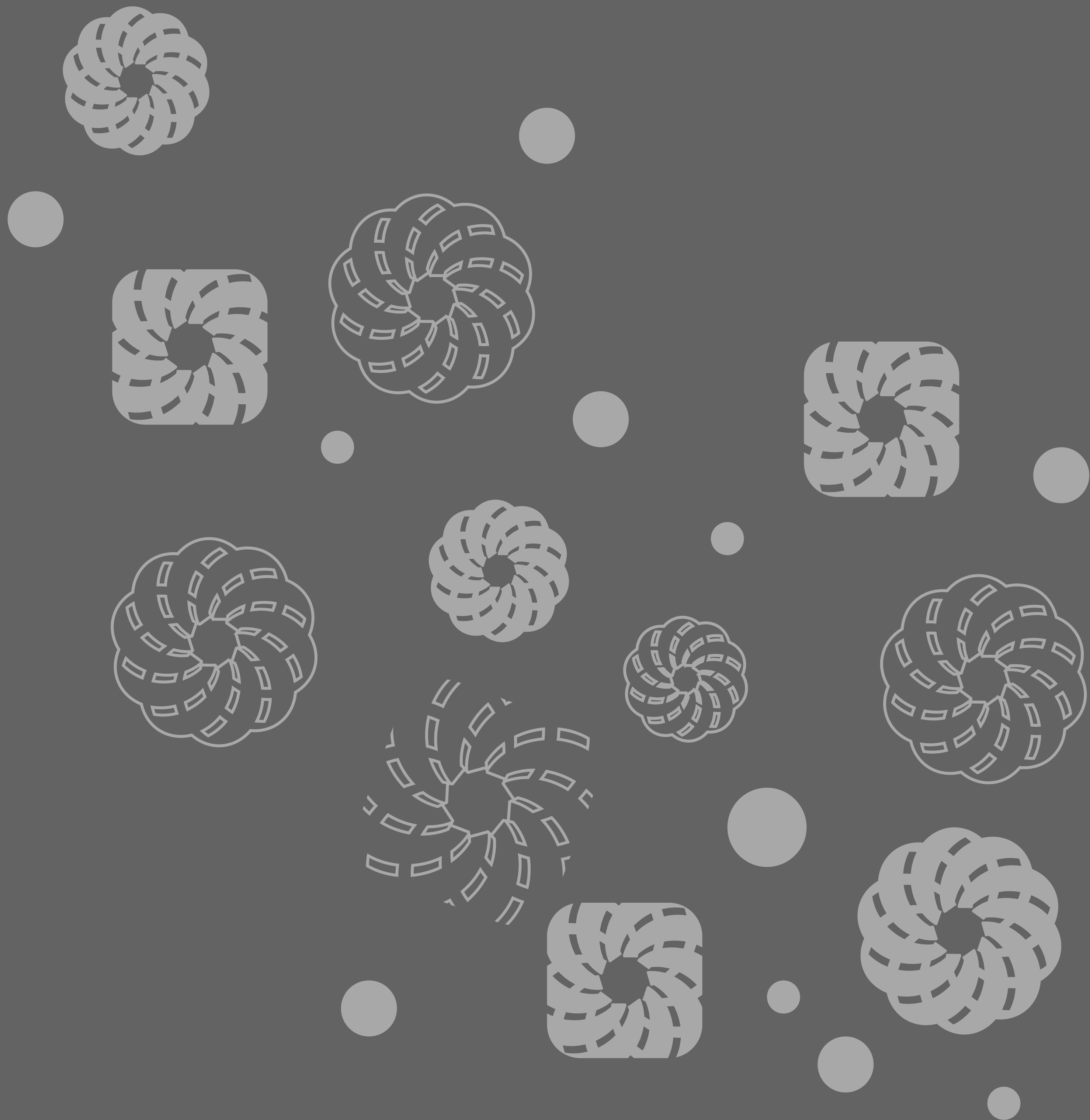


User Guide V1 Taro VR Bot – I

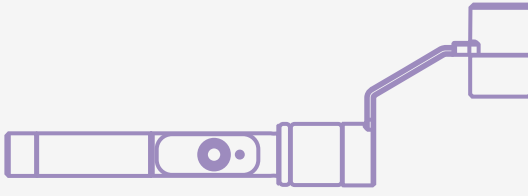
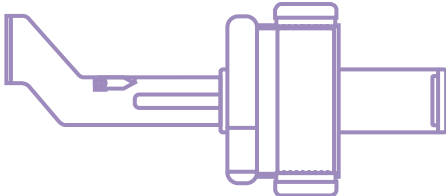
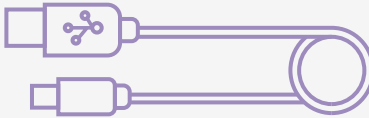

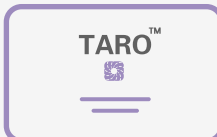
TARO





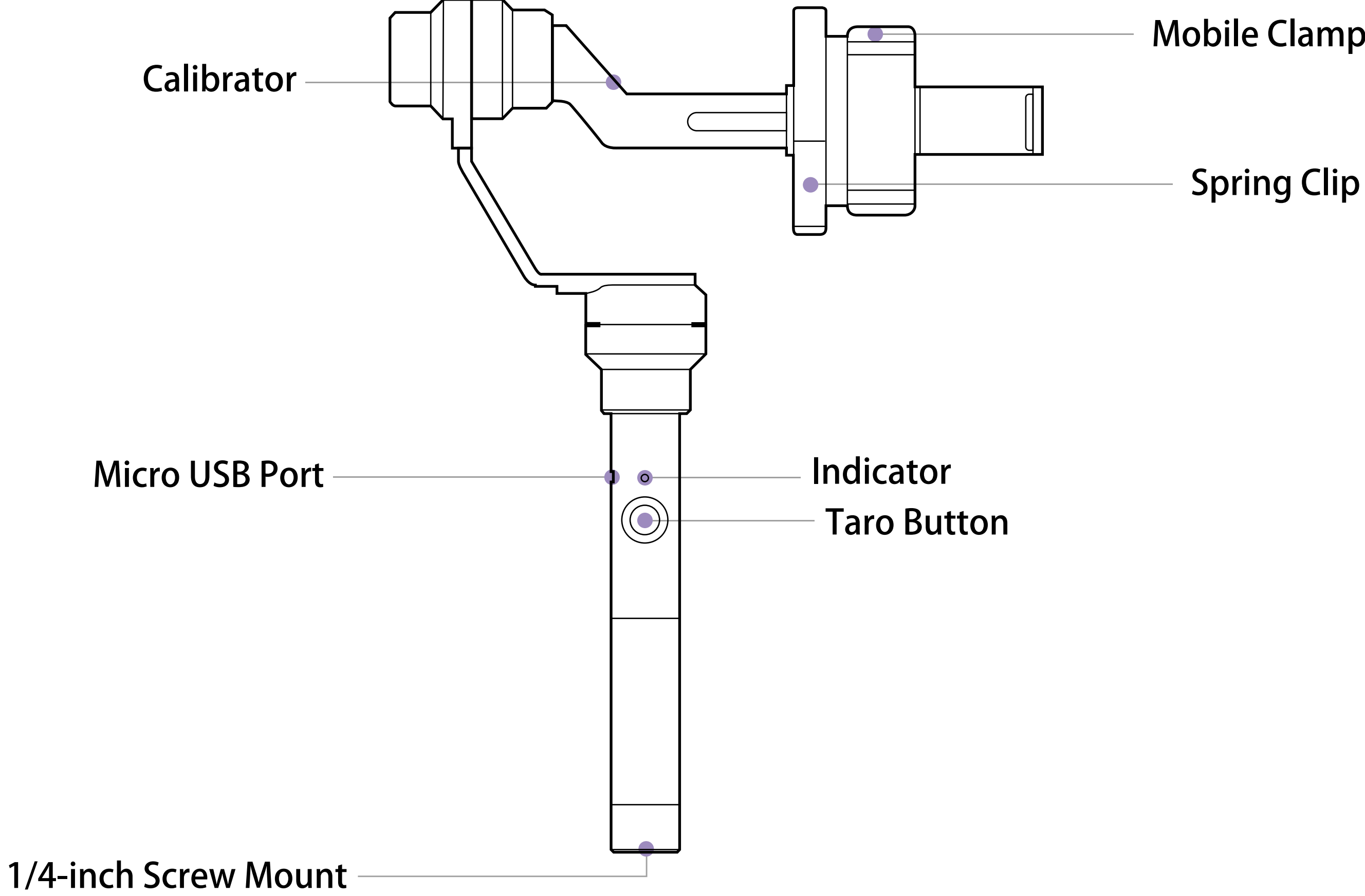
Packing List

The product package comes with the following items. In the event that any item is found missing, please contact Taro at www.tarovr.com/support

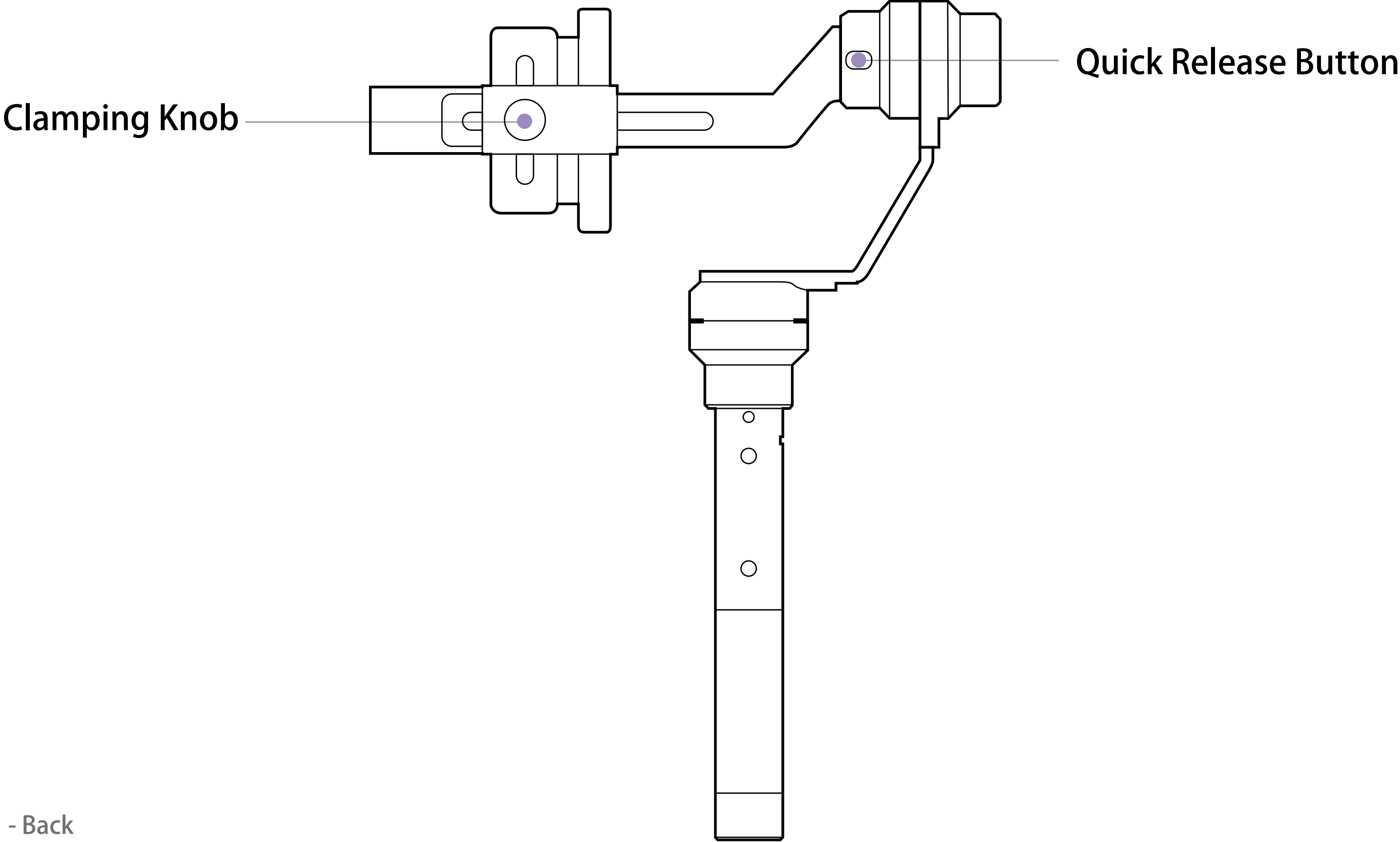
	Main Device (Bot)	1
	Mobile Clamp	1
	Micro USB Cable	1
	User Guide Book	1
	Activation Card	1

Getting to know the TaroVR Bot

Structure and Components






Structure and Components



- Back

1. Download APP



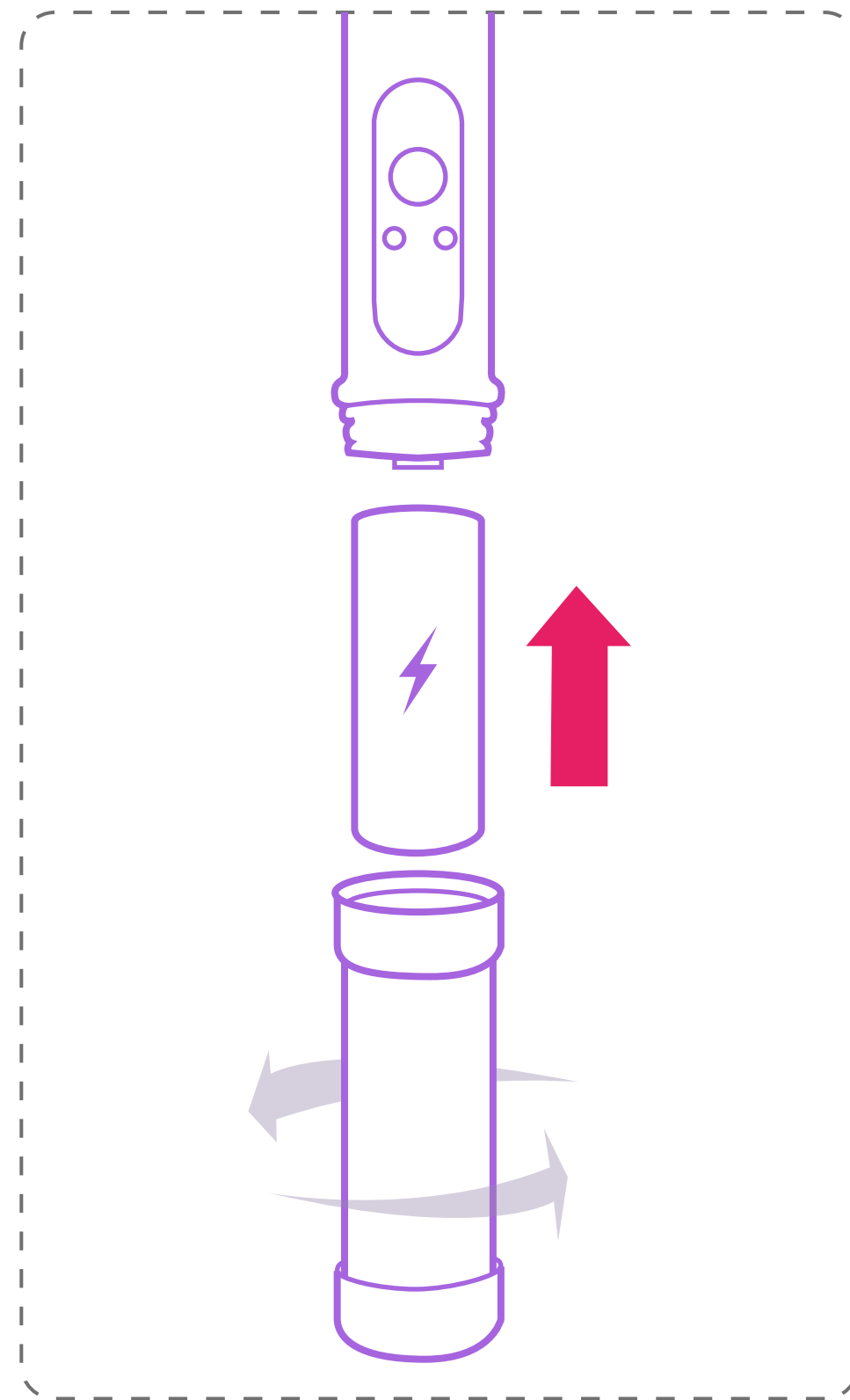
Google Play APP Store

Also you can also search for TaroVR Camera in Google Play and App store to install the APP.

Scan QR code
or visit the following website to download APP to your smartphone.
<http://www.tarovr.com/download/>

Start Up

2. How to install and remove the battery



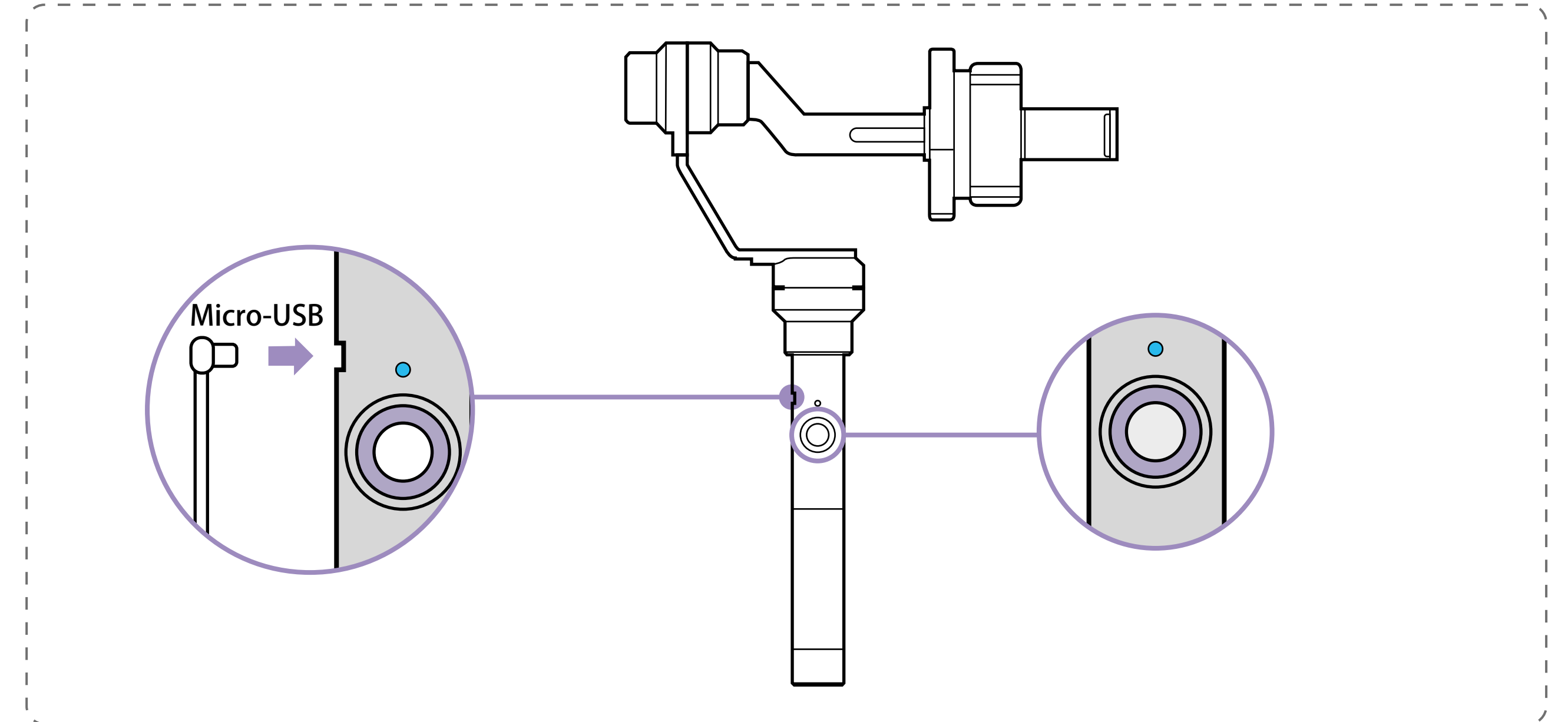
- Rotate to loosen the end cover, then install a 18650 Li-ion battery (with the positive pole heading in the same direction as the arrow above). Make sure to tighten the end cover properly after battery installation, or the Tarovr Bot cannot be turned on.

 Please use batteries provided or approved by TARO to prevent potential damage to the product.

Start Up


3. Charging.

Plug in the Micro-USB cable to side port to begin charging.
Note: Please fully charge the Tarovr Bot prior to the first use.



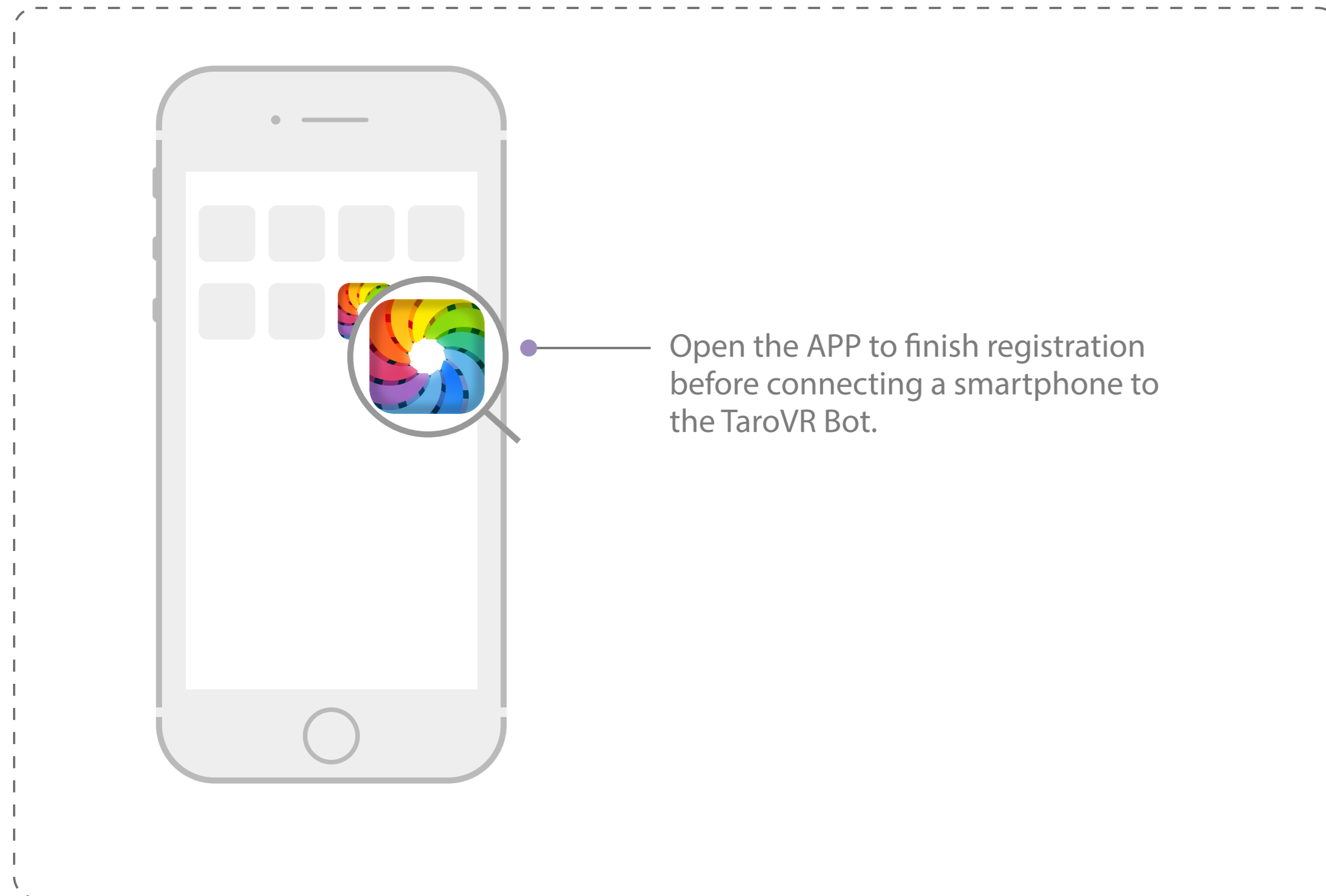
4. Indicator guidelines

Red light	Battery state	Blue light	Connection state
Blinking	Low battery	Blinking slowly	Waiting for connection
Constantly on	Charging	Blinking rapidly	Waiting for new connection
Off	Charging completed	Lighting constantly	Successfully connected

 Tarovr Bot is compatible with most USB chargers, however please note the charging limitations below:
Max. charging voltage: 9V/ Max. charging current: 2A
Exceeding these limits may cause damage to internal battery.

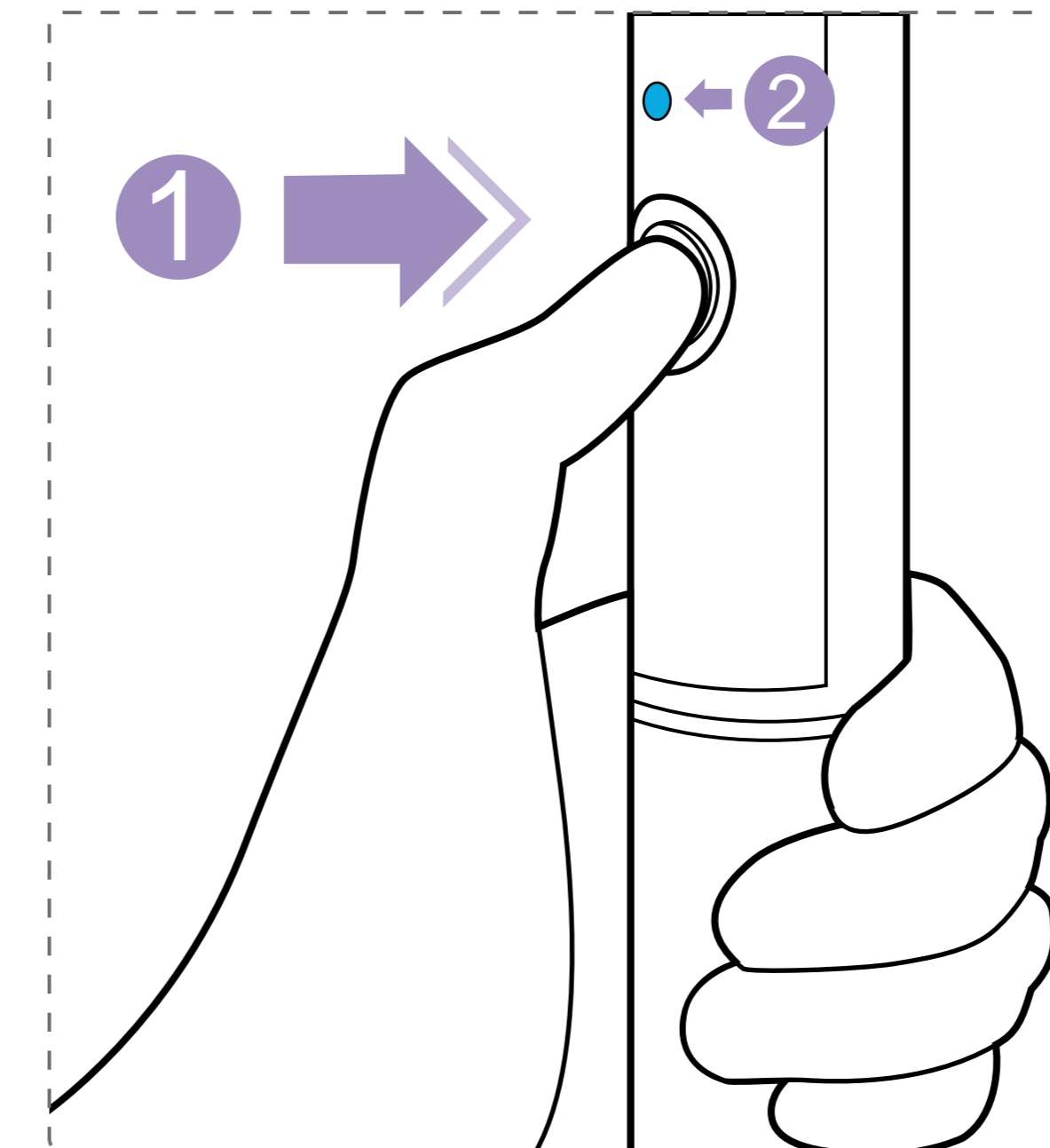
Start Up

5. Open application to finish registration



Start Up

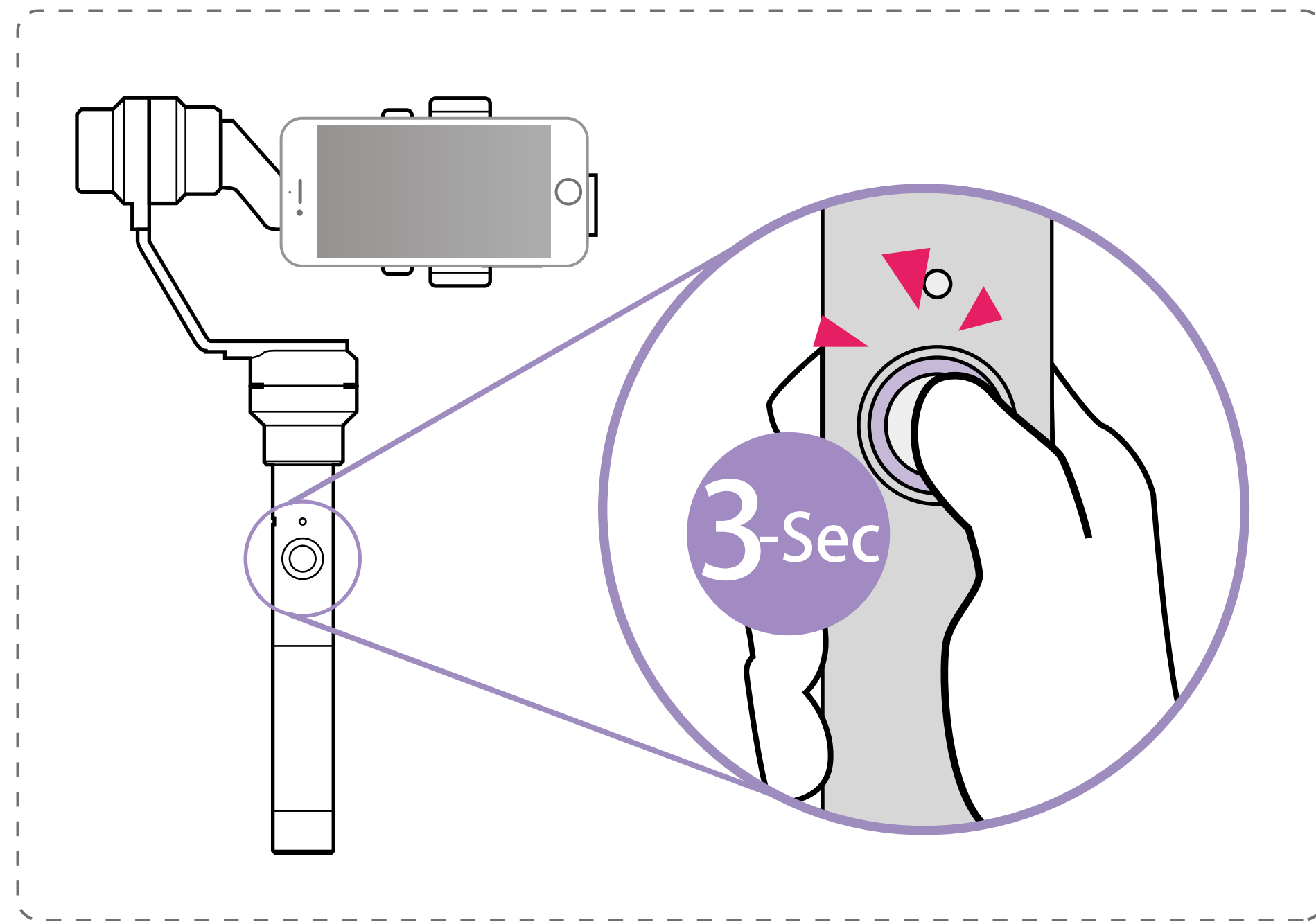
6. Pair the TaroVR Bot to smartphone



- Press the Taro button.
- The blue light will blink slowly while the TaroVR Bot starts up and waits for a connection.
- Load the APP, open the APP; and ensure that Bluetooth is turned on. The APP will automatically attempt to pair to the TaroVR Bot.
- The blue light will light continually when the pairing process has been completed and the smartphone is connected to the TaroVR Bot.

Start Up

7. Pair the TaroVR Bot to a different smartphone



Note: The TaroVR Bot can be connected with only one smartphone and APP at a time and it will remember the last phone that it was paired with.

If the TaroVR Bot is connected to a smartphone and you want to connect it to a different smartphone, follow the procedures below.

- Press and hold Taro button for at least 3 seconds.
- The blue light will blink rapidly indicating that it is waiting for new connection.
- Load the APP onto the other phone, open the APP; and ensure that Bluetooth is turned on. The APP will automatically attempt to pair with the TaroVR Bot.
- The blue light will light continually when the pairing process has been completed and the smartphone is connected to the TaroVR Bot.

Product Specifications

	Min.	Standard	Max.	Remarks
Input Vol.	3.6V		4.3V	Lithium-Ion 18650
Operation Current	30mA		360mA	
Charging Voltage		5V		
Charging Current	500mA	1A	2A	
Operating Temp.	33.8°F (-10 °C)	77° F (25 °C)	113 °F (45 °C)	
Operating Time	2h	3h	4h	Well-balanced with camera mounted
Tilt Angle Range		360°		Unlimited rotation
Pan Angle Range	-40°		+280°	
Weight	/	20.46 oz. (580g)	/	
Charging Time		1.5h		
Payload		5.29 oz. (150g)	7.05 oz. (200g)	
Mobile Width Support	1.06 in. (27mm)		3.35 in. (85mm)	1. Width for iPhone 7 Plus is 3.07 in. 2. Max. mobile length is 6.5 in.

Battery Safety Guidelines

Disclaimer

This Battery Safety Guidelines and all relevant documents are subject to change at the sole discretion of TARO. TARO reserves the right to make changes at any time without notice. For updated product information, please visit www.tarovr.com.

Glossary

- **WARNING:** Procedures, which if not properly followed, may incur property damage, grave accident, or serious injury.
- **CAUTION:** Procedures, which if not properly followed, may incur property damage and serious injury.

WARNINGS

Read the ENTIRE User Guide to become familiar with the features of this product before operating. Failure to operate the product correctly can result in damage to the product or personal property and cause serious injury. This is a sophisticated product. It must be operated with caution and common sense and requires some basic mechanical ability. Failure to operate this product in a safe and responsible manner could result in injury or damage to the product or other property. This product is not intended for use by children without direct adult supervision. DO NOT use with incompatible components or in any way otherwise as mentioned or instructed in the product documents provided by TARO. The safety guidelines herein contain instructions for safety, operation and maintenance. It is essential to read and follow all of the instructions and warnings in the User Guide, prior to assembly, setup or use, in order to operate the product correctly and avoid damage or serious injury.

Battery Safety Guidelines

Battery Use

1. A Lithium-Ion 18650 Battery is used in this product. Please prevent the batteries to come into contact with any kind of liquid. Do not leave batteries out in the rain or near a source of moisture. Do not drop the battery into water. If the inside of the battery comes into contact with water, chemical decomposition may occur, potentially resulting in the battery catching on fire, and may even lead to an explosion.
2. If the battery falls into water with the device during use, take it out immediately and put it in a safe and open area. Maintain a safe distance from the battery until it is completely dry. Never use the battery again, and dispose of the battery properly as described in the Battery Disposal section below.
3. If the battery catches fire, use water, water spray, sand, fire blanket, dry powder, or carbon dioxide fire extinguisher immediately to put out the fire. Please extinct the fire by applying the methods recommended above according to the actual situation.
4. Never use or charge swollen, leaky, or damaged batteries. Never use or charge if the battery smells, or overheats (exceeding maximum temperature of 160°F). If your batteries are abnormal, contact TARO or a TARO authorized dealer for further assistance.
5. The battery should be used within the temperature range from 14°F to 113°F. Use the battery in environments above 113°F can lead to a fire or explosion. Use of battery below 14°F can lead to serious battery damage.
6. Do not use the battery in strong electrostatic or electromagnetic environments. Otherwise, the battery protection board may malfunction.
7. Do not disassemble or use any sharp object to puncture the battery in any way. Otherwise, the battery may leak, catch fire or explode.
8. Do not mechanically strike, crush, or throw the battery. Do not place heavy objects on the battery or charger.
9. Electrolytes inside the battery are highly corrosive. In case of accidental contact of any electrolytes with your skin or eyes, rinse immediately with water for at least 15 minutes and seek medical advice as soon as possible.

Battery Safety Guidelines

10. Do not use the battery if it has been involved in a crash or heavy impact.
11. Do not heat the battery and never put the battery in a microwave oven or in a pressurized container.
12. Do not place the battery cell on a conductive surface (such as a metal desk surface).
13. Prevent use of wires or other metal objects that could cause positive and negative short-circuit to the battery.
14. If the battery terminal is dirty, wipe it with a clean, dry cloth. Otherwise it will cause a bad battery connection, which may result in energy loss or charging failure.

Battery Charging

1. Do not put the battery and charger near flammable materials or on flammable surfaces (such as carpet or wood). Never leave the battery unattended during charging to prevent any accident.
2. Do not charge the battery immediately after use, because the battery temperature may be too high. Do not charge the battery until it cools down to normal room temperature. Charging the battery with its temperature over 104°F or lower than 59°F may lead to leakage, overheating, or damage.
3. Examine the charger before use, make sure there is no damage to the enclosure, cord, plug, or other parts. Never use a damaged charger. Do not clean the charger with any liquid containing alcohol or other flammable solvents. Disconnect the charger when not in use.

Battery Storage

1. Keep batteries out of the reach of children and pets.
2. Do not leave the battery near heat sources such as a furnace or heater, or inside of a vehicle on hot days. Never expose the battery in any environment with temperature of over 140°F. The ideal storage temperature is 71.6°F to 82.4°F.
3. Store batteries in a dry environment.
4. Do not leave the battery unused for too long after it has been completely discharged to prevent over-discharge of battery which may result in battery damage and permanent failure.

Battery Safety Guidelines

Battery Maintenance

1. Never use the battery when the temperature is too high or too low.
2. Do not store the battery in any environment with a temperature of over 140°F.

Transportation Notice

1. Discharge the battery power to 5% or lower before carrying the battery on an airline flight. Only discharge the battery in a fireproof location, ideally in a dry and open area.
2. Do not store or transport batteries together with metal objects such as eyeglasses, watch, and jewelries, etc.
3. Do not transport damaged batteries. When transporting, be sure to discharge the battery to less than 50%.

Battery Disposal

Dispose of the battery in specific recycling boxes only after a complete discharge. Do not put away the battery in regular trash containers. Strictly follow your local regulations regarding the disposal and recycling of batteries.

Disclaimer and Warning

Thank you for using the TaroVR Bot. The information contained herein affects your safety and your legal rights and responsibilities. Read this entire document carefully to ensure proper configuration before use. Failure to read and follow the instructions and warnings herein may result in serious injury to you or bystanders, or damage to your device or property.

Taro™ is the trademark of TARO TECHNOLOGY INCORPORATED (hereinafter referred to as "TARO") and its affiliates. All product names or marks referred to hereunder are trademarks or registered trademarks of their respective holders.

TARO reserves the right of final explanation for this document and all relevant documents relating to the TaroVR Bot and the right to make changes at any time without notice. Please visit www.tarovr.com for the latest product information.

By using this product, you hereby signify that you have read this document carefully and that you understand and agree to abide by the terms and conditions herein. You agree that you are solely responsible for your own conduct while using this product, and for any consequences thereof. You agree to use this product only for purposes that are proper and in accordance with all terms, precautions, practices, policies and guidelines TARO has made and may make available.

TARO accepts no liability for damage, injury or any legal responsibility incurred directly or indirectly from the use of this product. Users shall observe safe and lawful practices including, but not limited to, those set forth herein.

Glossary

The following terms are used throughout the product literature to indicate various levels of potential harm when operating this product.

- **WARNING:** Procedures, which if not properly followed, may incur property damage, grave accident, or serious injury.
- **CAUTION:** Procedures, which if not properly followed, may incur property damage and serious injury.
- **NOTICE:** Procedures, which if not properly followed, may incur property damage or minor injury.

Disclaimer and Warning

WARNING

Read the ENTIRE User Guide to become familiar with the features of this product before operating. Failure to operate the product correctly can result in damage to the product or personal property and cause serious injury. This is a sophisticated product. It must be operated with caution and common sense and requires some basic mechanical ability. Failure to operate this product in a safe and responsible manner could result in injury or damage to the product or other property. This product is not intended for use by children without direct adult supervision. DO NOT use with incompatible components or in any way otherwise as mentioned or instructed in the product documents provided by TARO. The safety guidelines herein contain instructions for safety, operation and maintenance. It is essential to read and follow all of the instructions and warnings in the User Guide, prior to assembly, setup or use, in order to operate the product correctly and avoid damage or serious injury.

Safe Operation Guidelines

1. The TaroVR Bot is a high-precision control device. Damage may be caused to the TaroVR Bot if it is dropped or subject to external force, and this may result in malfunction.
2. Make sure the rotation of the gimbal axes is not blocked by external force when the TaroVR Bot is turned
3. on. The TaroVR Bot is not waterproof. Prevent contacts of any kind of liquid or cleaner with the TaroVR Bot. It is recommended to use dry cloth for cleaning.
4. Protect the TaroVR Bot from dust and sand during use.

NOTICE:

Keep it stable when the TaroVR Bot is powered on, as shaking may cause failure to start up.

WARRANTY

TARO provides a limited warranty on this product for a period of 1-year from the date of the original purchase.

The warranty includes any defect or failure due to the design or manufacturing of the product or its included accessories, which prevents the product from operating properly.

The warranty does not include any failure that is due to any damage or abuse, accidental or intentional that takes place outside of the intended use and application of the product. These exceptions include but are not limited to water damage, damage to the external casing, physical damage to the internal parts and components due to unauthorized opening of the product.

TARO reserves the right to determine the extent to which any repair request will be covered by the warranty. In the case where the product is covered by the warranty, TARO reserves the right to determine the most appropriate method of repair or replacement of the damaged product.

FCC Warning

This device complies with Part 15 of the FCC Rules. Operation is subject to the following two conditions: (1) this device may not cause harmful interference, and (2) this device must accept any interference received, including interference that may cause undesired operation.

Caution: The user is cautioned that changes or modifications not expressly approved by the party responsible for compliance could void the user's authority to operate the equipment.

Note: This equipment has been tested and found to comply with the limits for a Class B digital device, pursuant to part 15 of the FCC Rules. These limits are designed to provide reasonable protection against harmful interference in a residential installation.

This equipment generates uses and can radiate radio frequency energy and, if not installed and used in accordance with the instructions, may cause harmful interference to radio communications. However, there is no guarantee that interference will not occur in a particular installation. If this equipment does cause harmful interference to radio or television reception, which can be determined by turning the equipment off and on, the user is encouraged to try to correct the interference by one or more of the following measures:

- Reorient or relocate the receiving antenna.
- Increase the separation between the equipment and receiver.
- Connect the equipment into an outlet on a circuit different from that to which the receiver is connected.

17 Consult the dealer or an experienced radio/TV technician for help.

STOP!

IF YOU ARE HAVING TROUBLE WITH YOUR TAROVR BOT
BEFORE RETURNING IT TO THE STORE YOU BOUGHT IT,

PLEASE!

ALLOW OUR PROFESSIONAL AND FRIENDLY CUSTOMER SUPPORT TEAM AN
OPPORTUNITY TO HELP YOU RESOLVE ANY ISSUES YOU MAY BE HAVING.

PLEASE CONTACT US AT:

WWW.TAROVR.COM/SUPPORT or email us via support@tarovr.com

This document is subject to change.

TARO™ is a trademark of TARO.

Copyright©2017 TARO. All rights reserved.



TARO

