

# Indoor Wireless Gateway



## Model

- **W6R-D220-101**

## Physical

- **Dimensions:** 220 x 220 x 48.5 mm
- **Weight:** 630 g
- **PoE Input:** Standard PoE 802.3at
- **DC Input:** 12V
- **Power consumption:** < 30W
- **Mounting:** Kit included ceiling mount of the CPE

## Environmental

- **Operating Temperature:** 0° C to 40° C
- **Storage Temperature:** 0° C to 75° C
- **Humidity:** Operating 10~90%; Storage 5~95%

## Wi-Fi

- **Radio Access:** WIFI alliance 802.11ax standard
- **Frequency Band:** 2.4G and 5G
- **Maximum Throughput:** 1800 Mbps

## User Interfaces

- **Data Interface:** 1 x RJ45, Gigabit Ethernet, 802.3at PoE

## Device Management

- Wi-Fi Management System

## Industry Standards

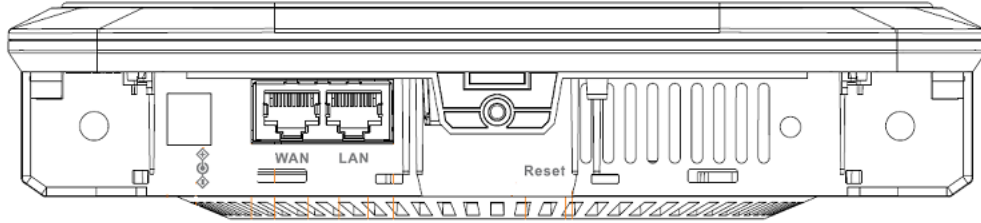
- IEEE  
IEEE 802.11ax  
IEEE 802.3at PoE

## Package Contents

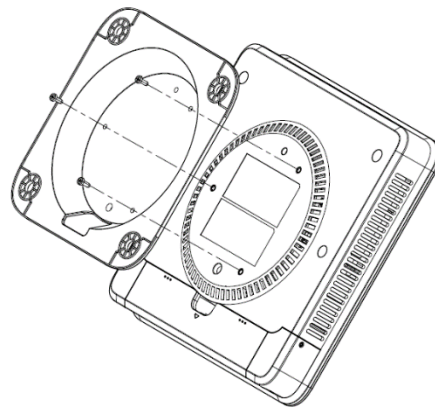
- Indoor wireless gateway
- Ceiling Mounting Kit

# Installation

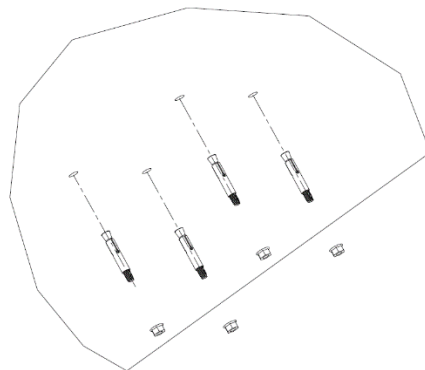
Connector and Interface, WAN port is the PoE port.



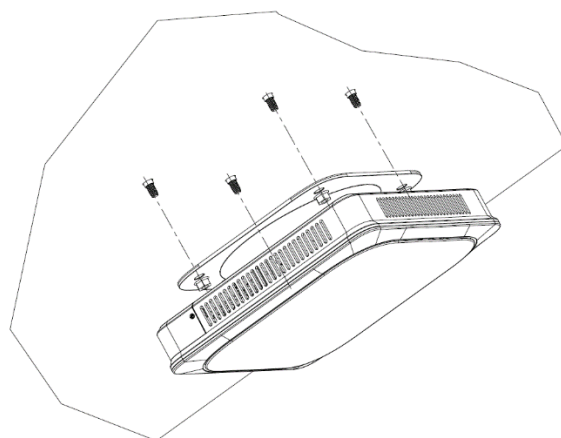
Hook Gateway onto the ceiling mount



pic 1



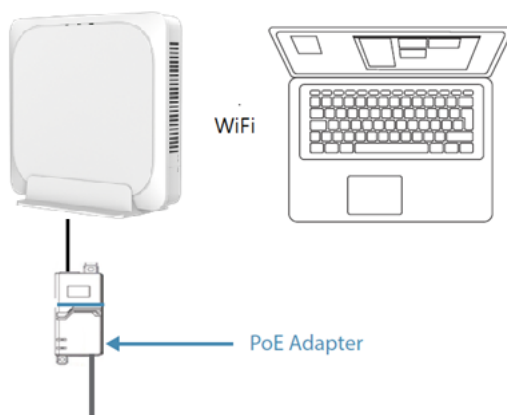
pic 2



**Pic 3**

### **Network access**

The indoor ap WAN is configured as Ethernet with DHCP client through the PoE connectivity. In the installation environment, there is no extra configuration is needed if a DHCP server is available through Ethernet connection. Since the indoor ap is control by the Wi-Fi management system, server IP must be configured before installation, use Laptop to connect to device via Wi-Fi or LAN port then go to Wi-Fi management page to input to proper IP address, press Enter than everything is ready, once device get online, Wi-Fi management system will know it. The default IP address of the Indoor AP is 192.168.1.100



### **Federal Communication Commission Interference Statement**

This device complies with Part 15 of the FCC Rules. Operation is subject to the following two conditions: (1) This device may not cause harmful interference, and (2) this device must accept any interference received, including interference that may cause undesired operation.

This equipment has been tested and found to comply with the limits for a Class B digital device, pursuant to Part 15 of the FCC Rules. These limits are designed to provide reasonable protection against harmful interference in a residential installation. This equipment generates, uses and can radiate radio frequency energy and, if not installed and used in accordance with the instructions, may cause harmful interference to radio communications. However, there is no guarantee that interference will not occur in a particular installation. If this equipment does cause harmful interference to radio or television reception, which can be determined by turning the equipment off and on, the user is encouraged to try to correct the interference by one of the following measures:

- Reorient or relocate the receiving antenna.
- Increase the separation between the equipment and receiver.
- Connect the equipment into an outlet on a circuit different from that to which the receiver is connected.
- Consult the dealer or an experienced radio/TV technician for help.

**FCC Caution:** Any changes or modifications not expressly approved by the party responsible for compliance could void the user's authority to operate this equipment. This transmitter must not be co-located or operating in conjunction with any other antenna or transmitter.

For operation within 5.15 ~ 5.25GHz frequency range, it is restricted to indoor environment. This device meets all the other requirements specified in Part 15E, Section 15.407 of the FCC Rules.

**Radiation Exposure Statement:** This equipment complies with FCC radiation exposure limits set forth for an uncontrolled environment. This equipment should be installed and operated with minimum distance 20cm between the radiator & your body.