

System Check_Head_2450MHz

DUT: D2450V2-929

Communication System: CW; Frequency: 2450 MHz; Duty Cycle: 1:1

Medium: HSL_2450_211216 Medium parameters used : $f = 2450$ MHz; $\sigma = 1.797$ S/m; $\epsilon_r = 38.699$; $\rho = 1000$ kg/m³

Ambient Temperature : 23.5 °C ; Liquid Temperature : 22.5 °C

DASY5 Configuration:

- Probe: EX3DV4 - SN3976; ConvF(7.79, 7.79, 7.79) @ 2450 MHz; Calibrated: 2021/1/27
- Sensor-Surface: 1.4mm (Mechanical Surface Detection)
- Electronics: DAE4 Sn854; Calibrated: 2021/8/19
- Phantom: ELI v4.0; Type: QDOVA001BB; Serial: 1026
- Measurement SW: DASY52, Version 52.10 (4); SEMCAD X Version 14.6.14 (7483)

Pin=50mW/Area Scan (71x71x1): Interpolated grid: dx=1.200 mm, dy=1.200 mm

Maximum value of SAR (interpolated) = 4.17 W/kg

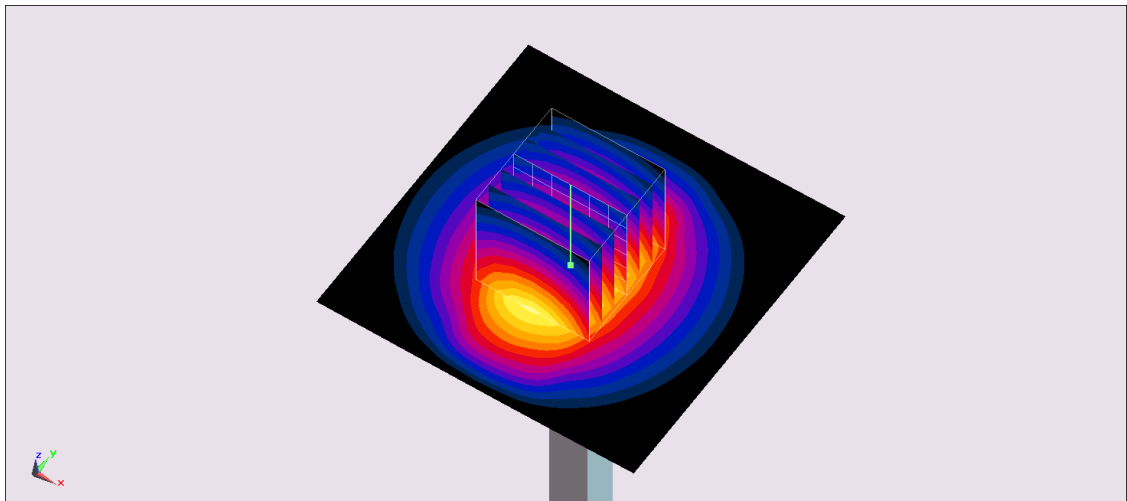
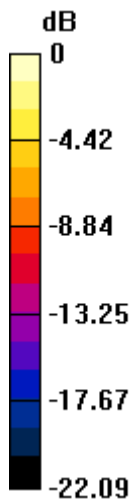
Pin=50mW/Zoom Scan (7x7x7)/Cube 0: Measurement grid: dx=5mm, dy=5mm, dz=5mm

Reference Value = 49.92 V/m; Power Drift = 0.05 dB

Peak SAR (extrapolated) = 5.26 W/kg

SAR(1 g) = 2.54 W/kg; SAR(10 g) = 1.17 W/kg

Maximum value of SAR (measured) = 4.27 W/kg



System Check_Head_5250MHz

DUT: D5GHzV2-1006

Communication System: CW; Frequency: 5250 MHz; Duty Cycle: 1:1

Medium: HSL_5G_211217 Medium parameters used: $f = 5250$ MHz; $\sigma = 4.648$ S/m; $\epsilon_r = 35.216$; $\rho = 1000$ kg/m³

Ambient Temperature : 23.5 °C ; Liquid Temperature : 22.5 °C

DASY5 Configuration:

- Probe: EX3DV4 - SN3976; ConvF(5.42, 5.42, 5.42) @ 5250 MHz; Calibrated: 2021/1/27
- Sensor-Surface: 1.4mm (Mechanical Surface Detection)
- Electronics: DAE4 Sn854; Calibrated: 2021/8/19
- Phantom: ELI v4.0; Type: QDOVA001BB; Serial: 1026
- Measurement SW: DASY52, Version 52.10 (4); SEMCAD X Version 14.6.14 (7483)

Pin=50mW/Area Scan (81x81x1): Interpolated grid: dx=1.000 mm, dy=1.000 mm

Maximum value of SAR (interpolated) = 10.3 W/kg

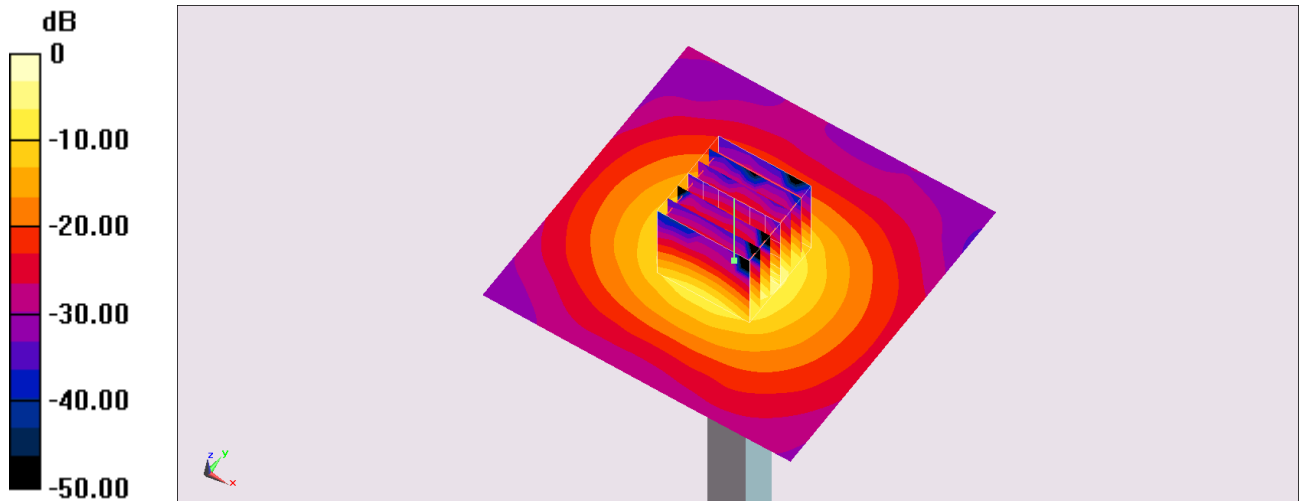
Pin=50mW/Zoom Scan (7x7x7)/Cube 0: Measurement grid: dx=4mm, dy=4mm, dz=1.4mm

Reference Value = 50.97 V/m; Power Drift = 0.03 dB

Peak SAR (extrapolated) = 16.8 W/kg

SAR(1 g) = 4.15 W/kg; SAR(10 g) = 1.18 W/kg

Maximum value of SAR (measured) = 10.5 W/kg



0 dB = 10.5 W/kg = 10.21 dBW/kg

System Check_Head_5600MHz

DUT: D5GHzV2-1006

Communication System: CW; Frequency: 5600 MHz; Duty Cycle: 1:1

Medium: HSL_5G_211217 Medium parameters used: $f = 5600$ MHz; $\sigma = 5.036$ S/m; $\epsilon_r = 34.562$; $\rho = 1000$ kg/m³

Ambient Temperature : 23.5 °C ; Liquid Temperature : 22.5 °C

DASY5 Configuration:

- Probe: EX3DV4 - SN3976; ConvF(4.98, 4.98, 4.98) @ 5600 MHz; Calibrated: 2021/1/27
- Sensor-Surface: 1.4mm (Mechanical Surface Detection)
- Electronics: DAE4 Sn854; Calibrated: 2021/8/19
- Phantom: ELI v4.0; Type: QDOVA001BB; Serial: 1026
- Measurement SW: DASY52, Version 52.10 (4); SEMCAD X Version 14.6.14 (7483)

Pin=50mW/Area Scan (81x81x1): Interpolated grid: dx=1.000 mm, dy=1.000 mm

Maximum value of SAR (interpolated) = 11.3 W/kg

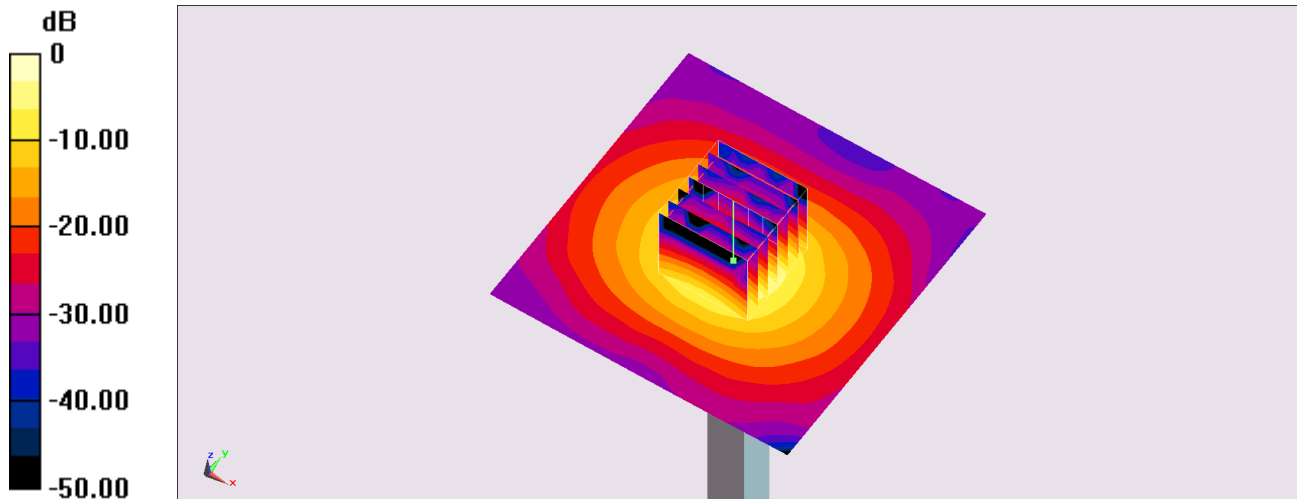
Pin=50mW/Zoom Scan (7x7x7)/Cube 0: Measurement grid: dx=4mm, dy=4mm, dz=1.4mm

Reference Value = 50.89 V/m; Power Drift = -0.02 dB

Peak SAR (extrapolated) = 19.7 W/kg

SAR(1 g) = 4.39 W/kg; SAR(10 g) = 1.24 W/kg

Maximum value of SAR (measured) = 11.6 W/kg



0 dB = 11.6 W/kg = 10.64 dBW/kg

System Check_Head_5750MHz

DUT: D5GHzV2-1006

Communication System: CW; Frequency: 5750 MHz; Duty Cycle: 1:1

Medium: HSL_5G_211217 Medium parameters used: $f = 5750$ MHz; $\sigma = 5.197$ S/m; $\epsilon_r = 34.252$; $\rho = 1000$ kg/m³

Ambient Temperature : 23.5 °C ; Liquid Temperature : 22.5 °C

DASY5 Configuration:

- Probe: EX3DV4 - SN3976; ConvF(4.85, 4.85, 4.85) @ 5750 MHz; Calibrated: 2021/1/27
- Sensor-Surface: 1.4mm (Mechanical Surface Detection)
- Electronics: DAE4 Sn854; Calibrated: 2021/8/19
- Phantom: ELI v4.0; Type: QDOVA001BB; Serial: 1026
- Measurement SW: DASY52, Version 52.10 (4); SEMCAD X Version 14.6.14 (7483)

Pin=50mW/Area Scan (81x81x1): Interpolated grid: dx=1.000 mm, dy=1.000 mm

Maximum value of SAR (interpolated) = 12.4 W/kg

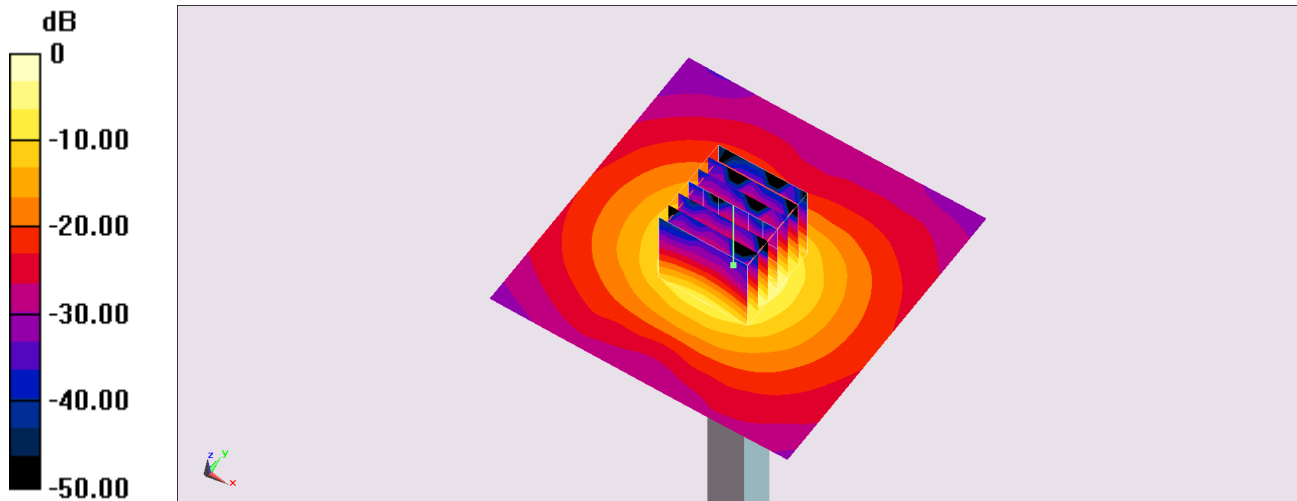
Pin=50mW/Zoom Scan (7x7x7)/Cube 0: Measurement grid: dx=4mm, dy=4mm, dz=1.4mm

Reference Value = 49.78 V/m; Power Drift = 0.07 dB

Peak SAR (extrapolated) = 19.7 W/kg

SAR(1 g) = 4.22 W/kg; SAR(10 g) = 1.17 W/kg

Maximum value of SAR (measured) = 11.3 W/kg



0 dB = 11.3 W/kg = 10.53 dBW/kg

System Check_Head_6500MHz

Communication System: ; Frequency: 6500.0

Medium: HSL_6G_211218. Medium parameters used: $f= 6500.0$ MHz; $\sigma= 5.78$ S/m; $\epsilon_r = 34.1$

Ambient Temperature: 23.4°C; Liquid Temperature: 22.4°C

DASY6 Configuration:

- Probe: EX3DV4 - SN3976; ConvF(5.75, 5.75, 5.75); Calibrated: 2021-01-27
- Sensor-Surface: 1.4 mm
- Electronics: DAE4 Sn854; Calibrated: 2021-08-19
- Phantom: ELI V5.0 (20deg probe tilt); Serial: 1238; Section: Flat
- Measurement Software: cDASY6 V6.6.0.13926
- UID: WLAN, 10683-AAB
- MAIA: Area Scan: N/A; Zoom Scan: N/A

Area Scan (51.0 mm x 85.0 mm): Measurement Grid: 8.5 mm x 8.5 mm

SAR (1g) = 25.0 W/kg; SAR (10g) = 4.86 W/kg;

Zoom Scan (23.8 mm x 23.8 mm x 22.0 mm): Measurement Grid: 3.4 mm x 3.4 mm x 1.4 mm

Power Drift = -0.07 dB

SAR (1g) = 27.3 W/kg; SAR (10g) = 5.19 W/kg;

