

System Check_Head_750MHz

DUT: D750V3-1107

Communication System: CW; Frequency: 750 MHz; Duty Cycle: 1:1

Medium: HSL_750_200807 Medium parameters used: $f = 750 \text{ MHz}$; $\sigma = 0.891 \text{ S/m}$; $\epsilon_r = 42.996$; $\rho = 1000 \text{ kg/m}^3$

Ambient Temperature : 23.2 °C; Liquid Temperature : 22.2 °C

DASY5 Configuration

- Probe: EX3DV4 - SN7515; ConvF(9.88, 9.88, 9.88) @ 750 MHz; Calibrated: 2019/10/22
- Sensor-Surface: 1.4mm (Mechanical Surface Detection)
- Electronics: DAE4 Sn679; Calibrated: 2020/5/6
- Phantom: ELI V5.0; Type: QD OVA 002 Ax; Serial: 1191
- Measurement SW: DASY52, Version 52.10 (4); SEMCAD X Version 14.6.14 (7483)

Pin=250mW/Area Scan (61x61x1): Interpolated grid: $dx=1.500 \text{ mm}$, $dy=1.500 \text{ mm}$

Maximum value of SAR (interpolated) = 2.56 W/kg

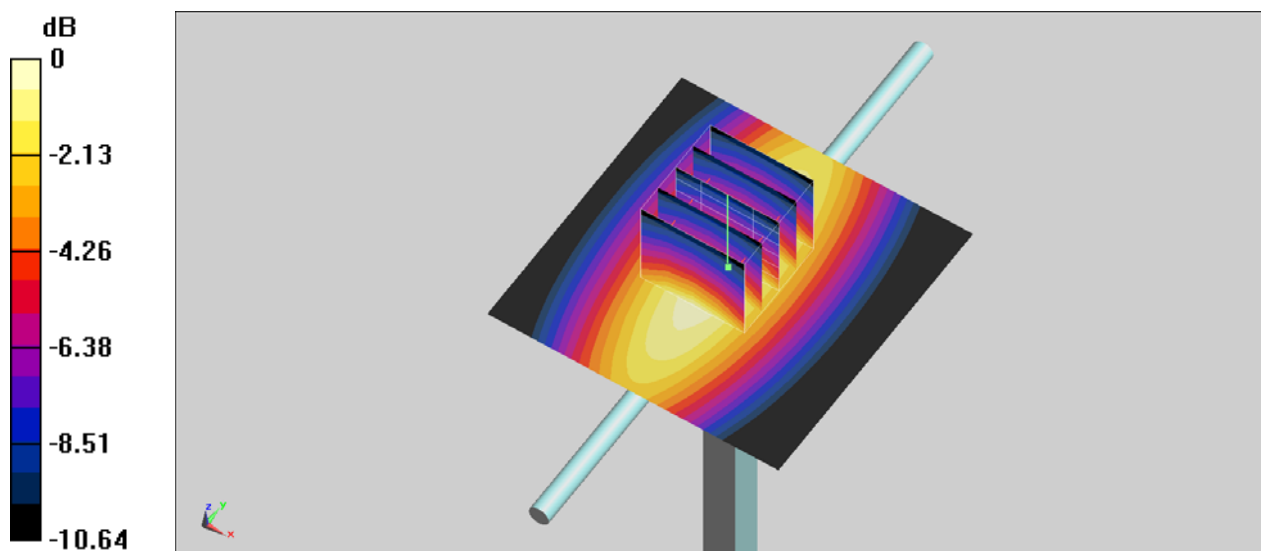
Pin=250mW/Zoom Scan (5x5x7)/Cube 0: Measurement grid: $dx=8\text{mm}$, $dy=8\text{mm}$, $dz=5\text{mm}$

Reference Value = 40.06 V/m; Power Drift = -0.08 dB

Peak SAR (extrapolated) = 3.4 W/kg

SAR(1 g) = 1.93 W/kg; SAR(10 g) = 1.27 W/kg

Maximum value of SAR (measured) = 2.57 W/kg



0 dB = 2.57 W/kg = 4.1 dBW/kg

System Check_Head_750MHz

DUT: D750V3-1107

Communication System: CW ; Frequency: 750 MHz;Duty Cycle: 1:1

Medium: HSL_750_200819 Medium parameters used: $f = 750 \text{ MHz}$; $\sigma = 0.890 \text{ S/m}$; $\epsilon_r = 42.883$; $\rho = 1000 \text{ kg/m}^3$

Ambient Temperature : $23.1 \text{ }^\circ\text{C}$; Liquid Temperature : $22.1 \text{ }^\circ\text{C}$

DASY5 Configuration

- Probe: EX3DV4 - SN3642;ConvF(8.9, 8.9, 8.9) @ 750 MHz;Calibrated: 2020/4/29
- Sensor-Surface: 1.4mm (Mechanical Surface Detection)
- Electronics: DAE4 Sn853; Calibrated: 2020/7/23
- Phantom: ELI V5.0; Type: QD OVA 002 Ax; Serial: 1191
- Measurement SW: DASY52, Version 52.10 (4); SEMCAD X Version 14.6.14 (7483)

Pin=250mW/Area Scan (61x61x1): Interpolated grid: $dx=1.500 \text{ mm}$, $dy=1.500 \text{ mm}$

Maximum value of SAR (interpolated) = 2.71 W/kg

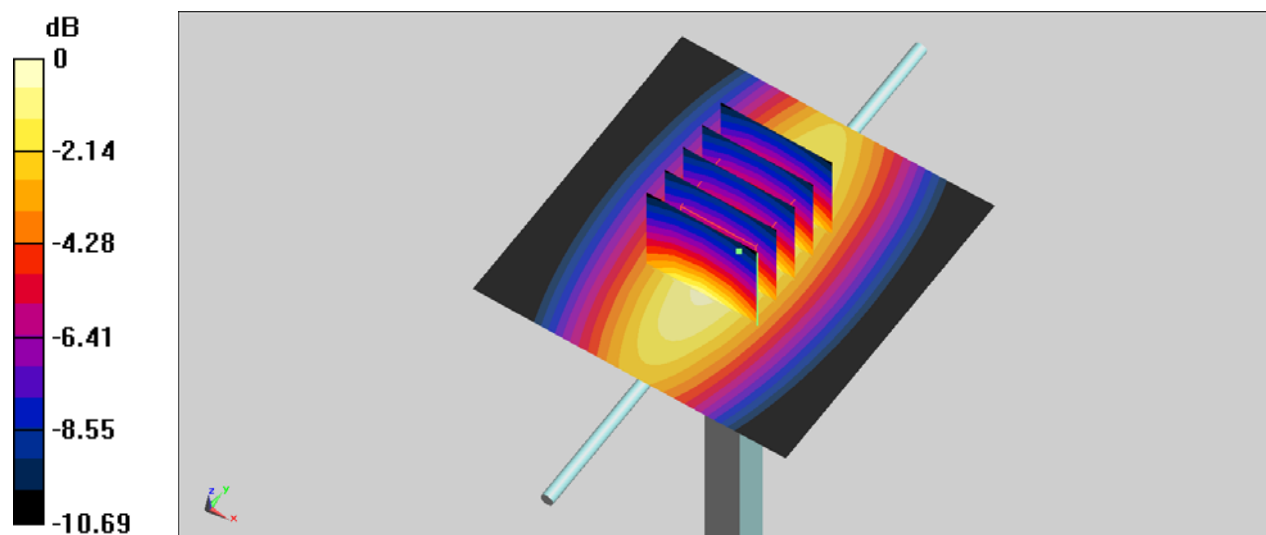
Pin=250mW/Zoom Scan (5x5x7)/Cube 0: Measurement grid: $dx=8\text{mm}$, $dy=8\text{mm}$, $dz=5\text{mm}$

Reference Value = 59.59 V/m ; Power Drift = -0.06 dB

Peak SAR (extrapolated) = 3.23 W/kg

SAR(1 g) = 2.17 W/kg ; SAR(10 g) = 1.43 W/kg

Maximum value of SAR (measured) = 2.88 W/kg



0 dB = $2.88 \text{ W/kg} = 4.59 \text{ dBW/kg}$

System Check_Head_750MHz

DUT: D750V3-1107

Communication System: CW ; Frequency: 750 MHz;Duty Cycle: 1:1

Medium: HSL_750_200821 Medium parameters used: $f = 750 \text{ MHz}$; $\sigma = 0.889 \text{ S/m}$; $\epsilon_r = 42.793$; $\rho = 1000 \text{ kg/m}^3$

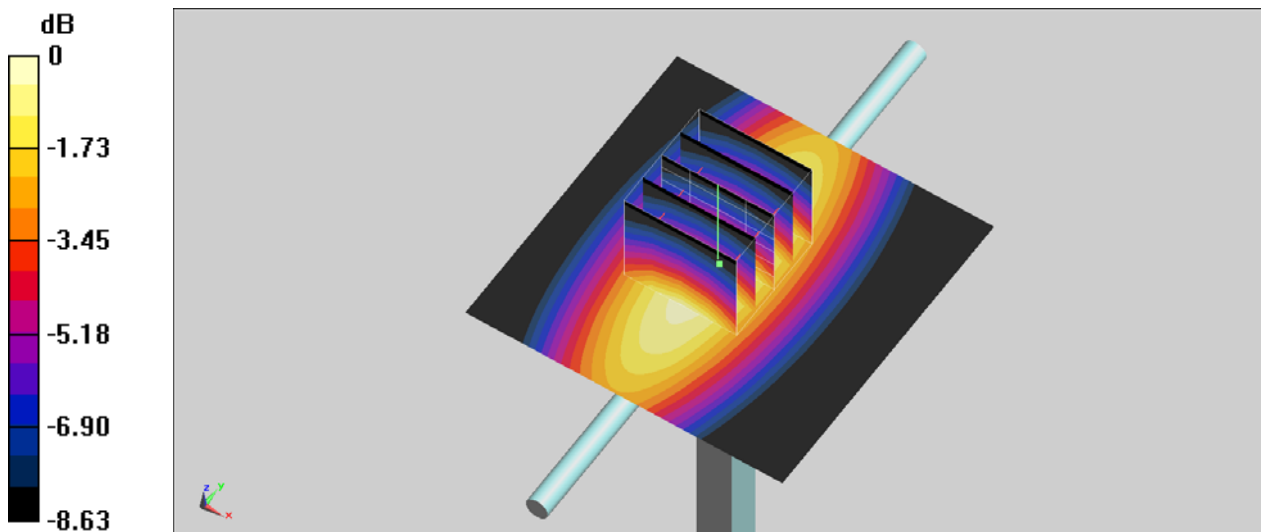
Ambient Temperature : $23.1 \text{ }^\circ\text{C}$; Liquid Temperature : $22.1 \text{ }^\circ\text{C}$

DASY5 Configuration

- Probe: EX3DV4 - SN7306;ConvF(9.92, 9.92, 9.92) @ 750 MHz;Calibrated: 2020/7/24
- Sensor-Surface: 1.4mm (Mechanical Surface Detection)
- Electronics: DAE4 Sn854; Calibrated: 2020/5/26
- Phantom: ELI V5.0; Type: QD OVA 002 Ax; Serial: 1191
- Measurement SW: DASY52, Version 52.10 (4); SEMCAD X Version 14.6.14 (7483)

Pin=250mW/Area Scan (61x61x1): Interpolated grid: $dx=1.500 \text{ mm}$, $dy=1.500 \text{ mm}$
Maximum value of SAR (interpolated) = 2.92 W/kg

Pin=250mW/Zoom Scan (5x5x7)/Cube 0: Measurement grid: $dx=8\text{mm}$, $dy=8\text{mm}$, $dz=5\text{mm}$
Reference Value = 58.78 V/m ; Power Drift = 0.03 dB
Peak SAR (extrapolated) = 3.30 W/kg
SAR(1 g) = 2.22 W/kg ; SAR(10 g) = 1.49 W/kg
Maximum value of SAR (measured) = 2.93 W/kg



0 dB = $2.93 \text{ W/kg} = 4.67 \text{ dBW/kg}$

System Check_Head_750MHz

DUT: D750V3-1107

Communication System: CW ; Frequency: 750 MHz;Duty Cycle: 1:1

Medium: HSL_750_200826 Medium parameters used: $f = 750 \text{ MHz}$; $\sigma = 0.888 \text{ S/m}$; $\epsilon_r = 42.895$; $\rho = 1000 \text{ kg/m}^3$

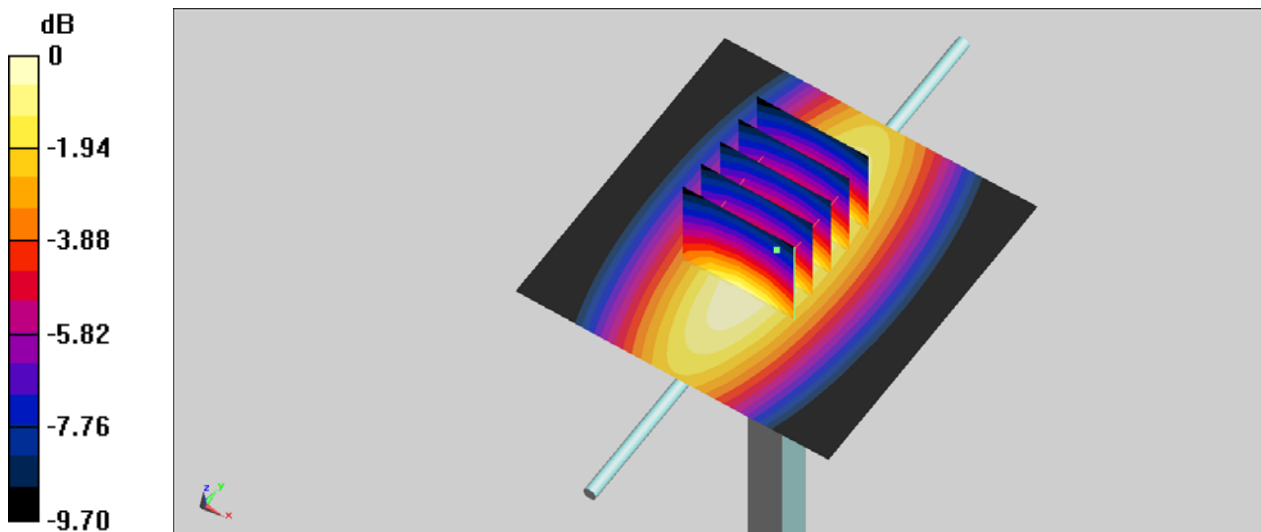
Ambient Temperature : 23.4 °C ; Liquid Temperature : 22.4 °C

DASY5 Configuration

- Probe: EX3DV4 - SN3931;ConvF(9.99, 9.99, 9.99) @ 750 MHz;Calibrated: 2019/9/26
- Sensor-Surface: 1.4mm (Mechanical Surface Detection)
- Electronics: DAE4 Sn853; Calibrated: 2020/7/23
- Phantom: ELI V5.0; Type: QD OVA 002 Ax; Serial: 1191
- Measurement SW: DASY52, Version 52.10 (4); SEMCAD X Version 14.6.14 (7483)

Pin=250mW/Area Scan (61x61x1): Interpolated grid: $dx=1.500 \text{ mm}$, $dy=1.500 \text{ mm}$
Maximum value of SAR (interpolated) = 2.96 W/kg

Pin=250mW/Zoom Scan (5x5x7)/Cube 0: Measurement grid: $dx=8\text{mm}$, $dy=8\text{mm}$, $dz=5\text{mm}$
Reference Value = 61.62 V/m; Power Drift = -0.01 dB
Peak SAR (extrapolated) = 3.13 W/kg
SAR(1 g) = 2.2 W/kg; SAR(10 g) = 1.48 W/kg
Maximum value of SAR (measured) = 2.82 W/kg



0 dB = 2.82 W/kg = 4.50 dBW/kg

System Check_Head_835MHz

DUT: D835V2-4d167

Communication System: CW ; Frequency: 835 MHz;Duty Cycle: 1:1

Medium: HSL_850_200807 Medium parameters used: $f = 835 \text{ MHz}$; $\sigma = 0.926 \text{ S/m}$; $\epsilon_r = 42.7$; $\rho = 1000 \text{ kg/m}^3$

Ambient Temperature : $23.2 \text{ }^\circ\text{C}$; Liquid Temperature : $22.2 \text{ }^\circ\text{C}$

DASY5 Configuration

- Probe: EX3DV4 - SN7515;ConvF(9.6, 9.6, 9.6) @ 835 MHz;Calibrated: 2019/10/22
- Sensor-Surface: 1.4mm (Mechanical Surface Detection)
- Electronics: DAE4 Sn679; Calibrated: 2020/5/6
- Phantom: ELI V5.0; Type: QD OVA 002 Ax; Serial: 1191
- Measurement SW: DASY52, Version 52.10 (4); SEMCAD X Version 14.6.14 (7483)

Pin=250mW/Area Scan (61x61x1): Interpolated grid: $dx=1.500 \text{ mm}$, $dy=1.500 \text{ mm}$

Maximum value of SAR (interpolated) = 3.35 W/kg

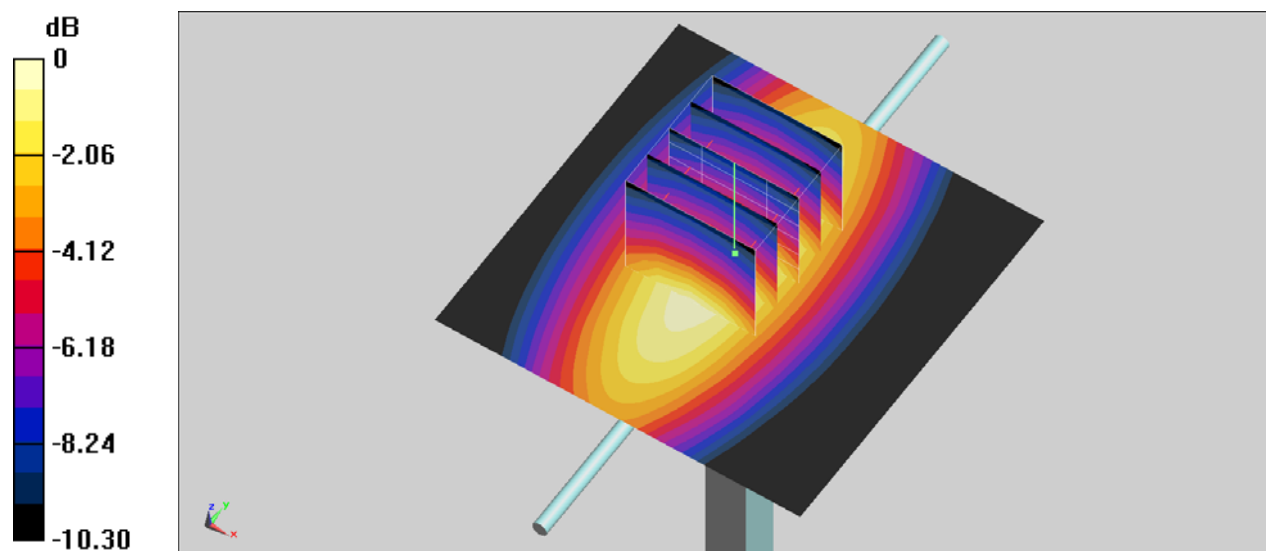
Pin=250mW/Zoom Scan (5x5x7)/Cube 0: Measurement grid: $dx=8\text{mm}$, $dy=8\text{mm}$, $dz=5\text{mm}$

Reference Value = 61.78 V/m ; Power Drift = 0.05 dB

Peak SAR (extrapolated) = 3.73 W/kg

SAR(1 g) = 2.57 W/kg ; SAR(10 g) = 1.7 W/kg

Maximum value of SAR (measured) = 3.37 W/kg



0 dB = $3.37 \text{ W/kg} = 5.28 \text{ dBW/kg}$

System Check_Head_835MHz

DUT: D835V2-4d167

Communication System: CW; Frequency: 835 MHz; Duty Cycle: 1:1

Medium: HSL_850_200819 Medium parameters used: $f = 835$ MHz; $\sigma = 0.925$ S/m; $\epsilon_r = 42.587$; $\rho = 1000$ kg/m³

Ambient Temperature : 23.1 °C; Liquid Temperature : 22.1 °C

DASY5 Configuration

- Probe: EX3DV4 - SN3642; ConvF(8.73, 8.73, 8.73) @ 835 MHz; Calibrated: 2020/4/29
- Sensor-Surface: 1.4mm (Mechanical Surface Detection)
- Electronics: DAE4 Sn853; Calibrated: 2020/7/23
- Phantom: ELI V5.0; Type: QD OVA 002 Ax; Serial: 1191
- Measurement SW: DASY52, Version 52.10 (4); SEMCAD X Version 14.6.14 (7483)

Pin=250mW/Area Scan (61x61x1): Interpolated grid: dx=1.500 mm, dy=1.500 mm
Maximum value of SAR (interpolated) = 3.42 W/kg

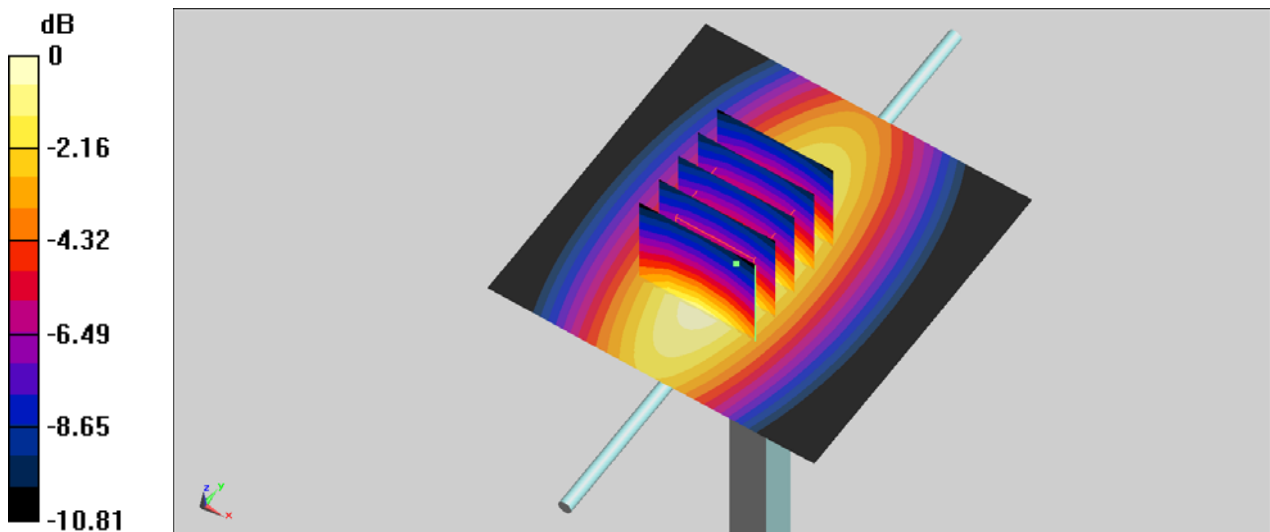
Pin=250mW/Zoom Scan (5x5x7)/Cube 0: Measurement grid: dx=8mm, dy=8mm, dz=5mm

Reference Value = 64.05 V/m; Power Drift = -0.05 dB

Peak SAR (extrapolated) = 3.78 W/kg

SAR(1 g) = 2.52 W/kg; SAR(10 g) = 1.66 W/kg

Maximum value of SAR (measured) = 3.38 W/kg



0 dB = 3.38 W/kg = 5.29 dBW/kg

System Check_Head_835MHz

DUT: D835V2-4d167

Communication System: CW; Frequency: 835 MHz; Duty Cycle: 1:1

Medium: HSL_850_200821 Medium parameters used: $f = 835 \text{ MHz}$; $\sigma = 0.923 \text{ S/m}$; $\epsilon_r = 42.497$; $\rho = 1000 \text{ kg/m}^3$

Ambient Temperature : $23.1 \text{ }^\circ\text{C}$; Liquid Temperature : $22.1 \text{ }^\circ\text{C}$

DASY5 Configuration

- Probe: EX3DV4 - SN7306; ConvF(9.61, 9.61, 9.61) @ 835 MHz; Calibrated: 2020/7/24
- Sensor-Surface: 1.4mm (Mechanical Surface Detection)
- Electronics: DAE4 Sn854; Calibrated: 2020/5/26
- Phantom: ELI V5.0; Type: QD OVA 002 Ax; Serial: 1191
- Measurement SW: DASY52, Version 52.10 (4); SEMCAD X Version 14.6.14 (7483)

Pin=250mW/Area Scan (61x61x1): Interpolated grid: $dx=1.500 \text{ mm}$, $dy=1.500 \text{ mm}$
 Maximum value of SAR (interpolated) = 3.43 W/kg

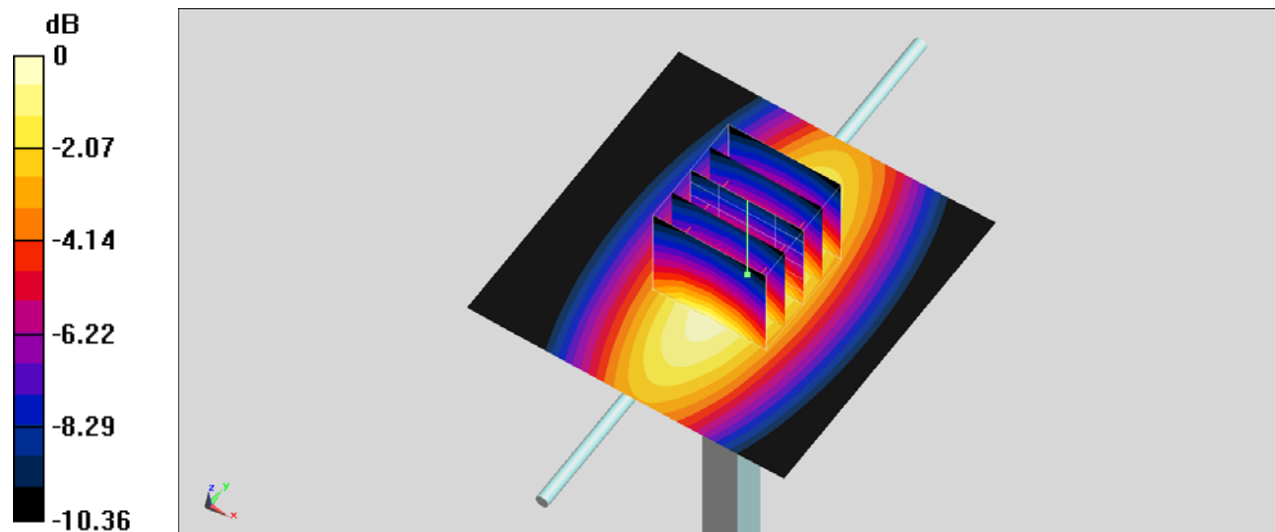
Pin=250mW/Zoom Scan (5x5x7)/Cube 0: Measurement grid: $dx=8\text{mm}$, $dy=8\text{mm}$, $dz=5\text{mm}$

Reference Value = 61.11 V/m ; Power Drift = -0.10 dB

Peak SAR (extrapolated) = 3.88 W/kg

SAR(1 g) = 2.53 W/kg ; SAR(10 g) = 1.66 W/kg

Maximum value of SAR (measured) = 3.42 W/kg



0 dB = $3.42 \text{ W/kg} = 5.34 \text{ dBW/kg}$

System Check_Head_835MHz

DUT: D835V2-4d167

Communication System: CW; Frequency: 835 MHz; Duty Cycle: 1:1

Medium: HSL_850_200826 Medium parameters used: $f = 835$ MHz; $\sigma = 0.922$ S/m; $\epsilon_r = 42.599$; $\rho = 1000$ kg/m³

Ambient Temperature : 23.4 °C ; Liquid Temperature : 22.4 °C

DASY5 Configuration

- Probe: EX3DV4 - SN3931; ConvF(9.8, 9.8, 9.8) @ 835 MHz; Calibrated: 2019/9/26
- Sensor-Surface: 1.4mm (Mechanical Surface Detection)
- Electronics: DAE4 Sn853; Calibrated: 2020/7/23
- Phantom: ELI V5.0; Type: QD OVA 002 Ax; Serial: 1191
- Measurement SW: DASY52, Version 52.10 (4); SEMCAD X Version 14.6.14 (7483)

Pin=250mW/Area Scan (61x61x1): Interpolated grid: dx=1.500 mm, dy=1.500 mm

Maximum value of SAR (interpolated) = 3.19 W/kg

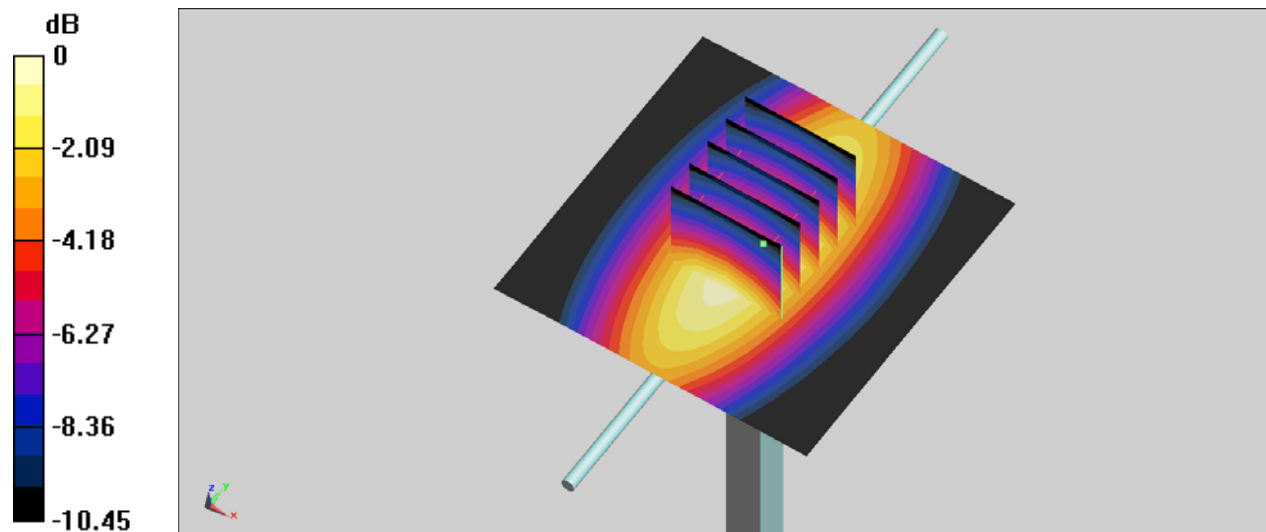
Pin=250mW/Zoom Scan (5x5x7)/Cube 0: Measurement grid: dx=8mm, dy=8mm, dz=5mm

Reference Value = 62.44 V/m; Power Drift = -0.04 dB

Peak SAR (extrapolated) = 3.53 W/kg

SAR(1 g) = 2.42 W/kg; SAR(10 g) = 1.58 W/kg

Maximum value of SAR (measured) = 3.20 W/kg



0 dB = 3.20 W/kg = 5.05 dBW/kg

System Check_Head_1750MHz

DUT: D1750V2-1112

Communication System: CW; Frequency: 1750 MHz; Duty Cycle: 1:1

Medium: HSL_1750_200728 Medium parameters used: $f = 1750$ MHz; $\sigma = 1.352$ S/m; $\epsilon_r = 40.458$; $\rho = 1000$ kg/m³

Ambient Temperature : 23.2 °C ; Liquid Temperature : 22.2 °C

DASY5 Configuration

- Probe: EX3DV4 - SN7515; ConvF(8.55, 8.55, 8.55) @ 1750 MHz; Calibrated: 2019/10/22
- Sensor-Surface: 1.4mm (Mechanical Surface Detection)
- Electronics: DAE4 Sn679; Calibrated: 2020/5/6
- Phantom: ELI V5.0; Type: QD OVA 002 Ax; Serial: 1191
- Measurement SW: DASY52, Version 52.10 (4); SEMCAD X Version 14.6.14 (7483)

Pin=250mW/Area Scan (61x61x1): Interpolated grid: dx=1.500 mm, dy=1.500 mm
Maximum value of SAR (interpolated) = 12.8 W/kg

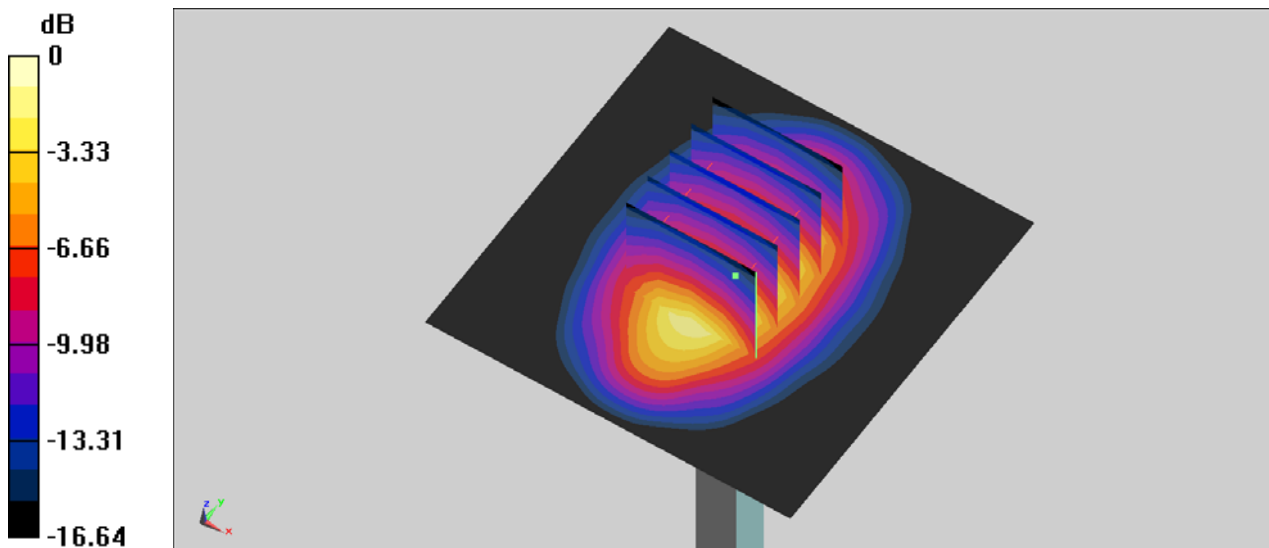
Pin=250mW/Zoom Scan (5x5x7)/Cube 0: Measurement grid: dx=8mm, dy=8mm, dz=5mm

Reference Value = 101.1 V/m; Power Drift = -0.05 dB

Peak SAR (extrapolated) = 14.9 W/kg

SAR(1 g) = 8.54 W/kg; SAR(10 g) = 4.62 W/kg

Maximum value of SAR (measured) = 12.8 W/kg



0 dB = 12.8 W/kg = 11.07 dBW/kg

System Check_Head_1750MHz

DUT: D1750V2-1112

Communication System: CW; Frequency: 1750 MHz; Duty Cycle: 1:1

Medium: HSL_1750_200820 Medium parameters used: $f = 1750$ MHz; $\sigma = 1.353$ S/m; $\epsilon_r = 40.294$;
 $\rho = 1000$ kg/m³

Ambient Temperature : 23.1 °C ; Liquid Temperature : 22.1 °C

DASY5 Configuration

- Probe: EX3DV4 - SN7306; ConvF(8.35, 8.35, 8.35) @ 1750 MHz; Calibrated: 2020/7/24
- Sensor-Surface: 1.4mm (Mechanical Surface Detection)
- Electronics: DAE4 Sn854; Calibrated: 2020/5/26
- Phantom: ELI V5.0; Type: QD OVA 002 Ax; Serial: 1191
- Measurement SW: DASY52, Version 52.10 (4); SEMCAD X Version 14.6.14 (7483)

Pin=50mW/Area Scan (61x61x1): Interpolated grid: dx=1.500 mm, dy=1.500 mm
Maximum value of SAR (interpolated) = 2.84 W/kg

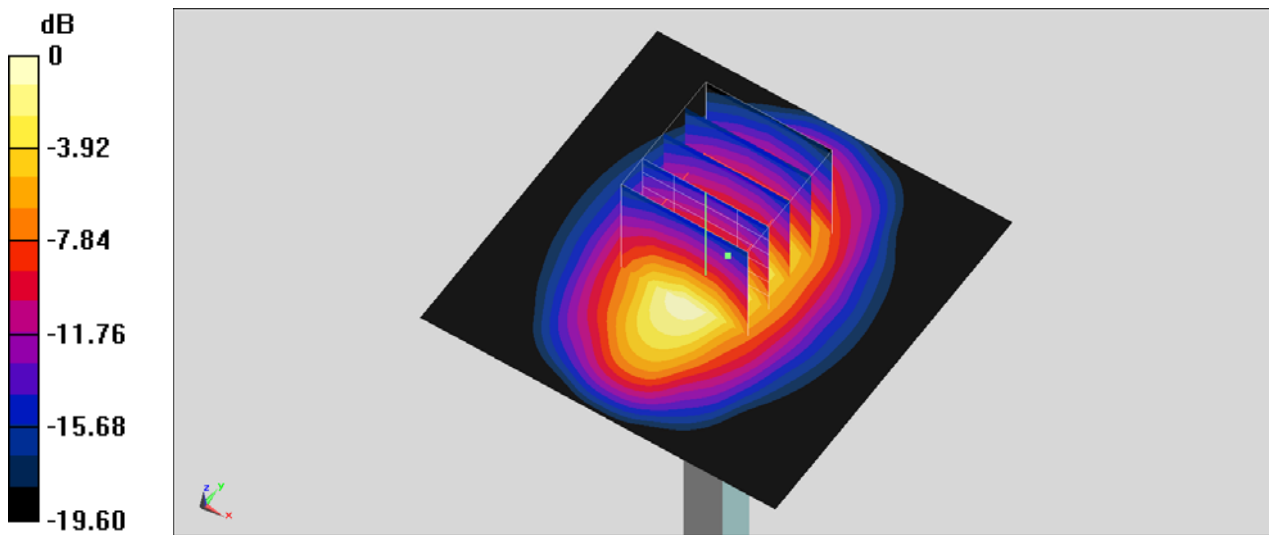
Pin=50mW/Zoom Scan (5x5x7)/Cube 0: Measurement grid: dx=8mm, dy=8mm, dz=5mm

Reference Value = 48.56 V/m; Power Drift = -0.09 dB

Peak SAR (extrapolated) = 3.61 W/kg

SAR(1 g) = 1.78 W/kg; SAR(10 g) = 0.919 W/kg

Maximum value of SAR (measured) = 2.86 W/kg



0 dB = 2.86 W/kg = 4.56 dBW/kg

System Check_Head_1750MHz

DUT: D1750V2-1112

Communication System: CW; Frequency: 1750 MHz; Duty Cycle: 1:1

Medium: HSL_1750_200820 Medium parameters used: $f = 1750$ MHz; $\sigma = 1.353$ S/m; $\epsilon_r = 40.294$;
 $\rho = 1000$ kg/m³

Ambient Temperature : 23.1 °C ; Liquid Temperature : 22.1 °C

DASY5 Configuration

- Probe: EX3DV4 - SN3642; ConvF(7.89, 7.89, 7.89) @ 1750 MHz; Calibrated: 2020/4/29
- Sensor-Surface: 1.4mm (Mechanical Surface Detection)
- Electronics: DAE4 Sn853; Calibrated: 2020/7/23
- Phantom: ELI V5.0; Type: QD OVA 002 Ax; Serial: 1191
- Measurement SW: DASY52, Version 52.10 (4); SEMCAD X Version 14.6.14 (7483)

Pin=250mW/Area Scan (61x61x1): Interpolated grid: dx=1.500 mm, dy=1.500 mm
Maximum value of SAR (interpolated) = 14.1 W/kg

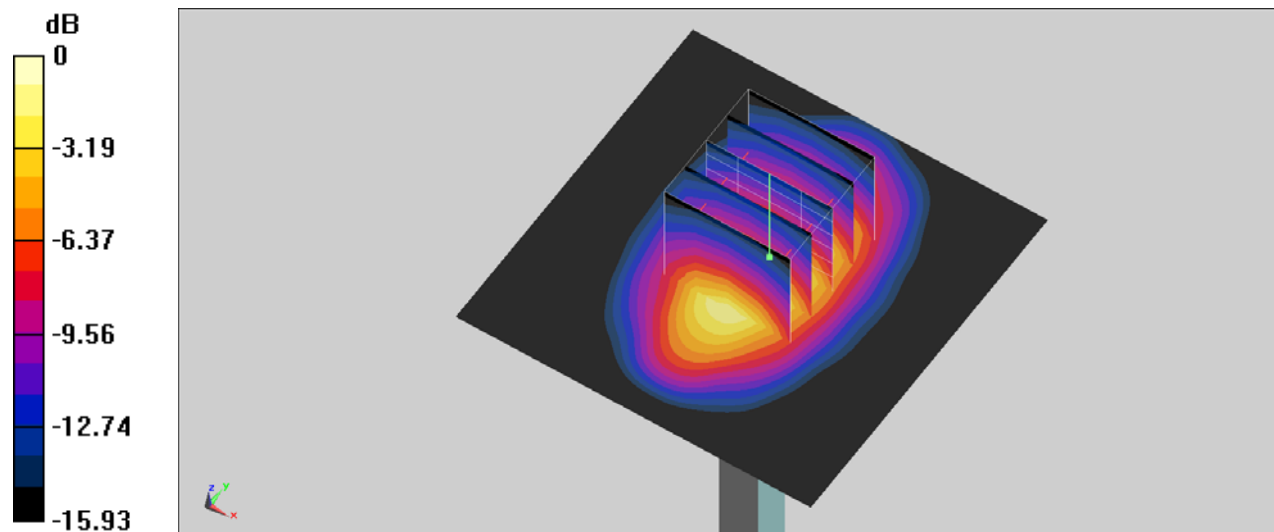
Pin=250mW/Zoom Scan (5x5x7)/Cube 0: Measurement grid: dx=8mm, dy=8mm, dz=5mm

Reference Value = 102.4 V/m; Power Drift = -0.08 dB

Peak SAR (extrapolated) = 16.4 W/kg

SAR(1 g) = 9.11 W/kg; SAR(10 g) = 4.84 W/kg

Maximum value of SAR (measured) = 14.0 W/kg



0 dB = 14.0 W/kg = 11.46 dBW/kg

System Check_Head_1750MHz

DUT: D1750V2-1112

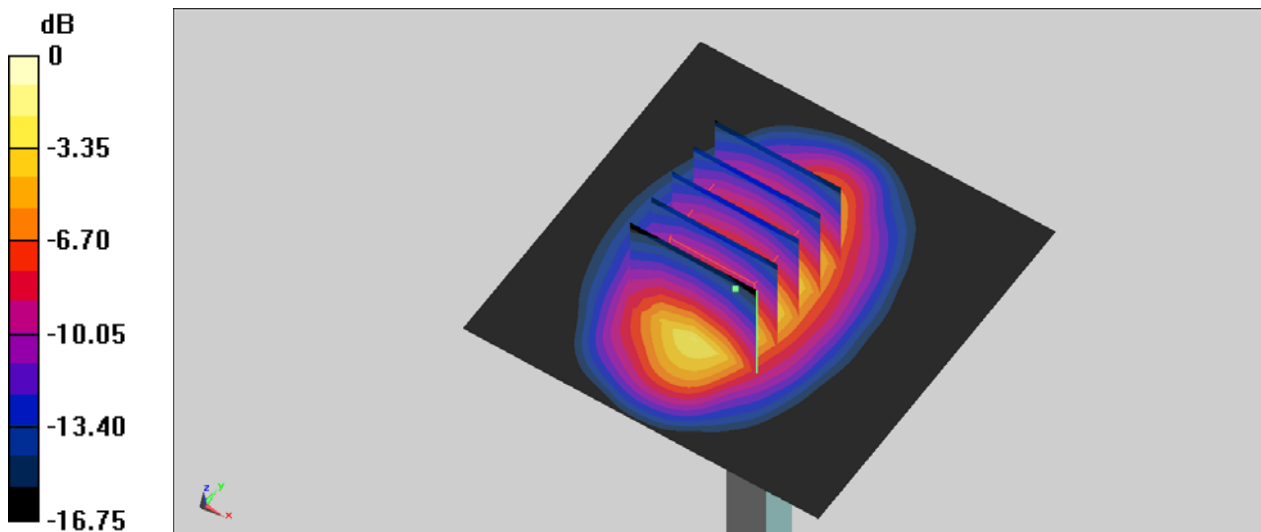
Communication System: CW; Frequency: 1750 MHz; Duty Cycle: 1:1
Medium: HSL_1750_200826 Medium parameters used: $f = 1750 \text{ MHz}$; $\sigma = 1.348 \text{ S/m}$; $\epsilon_r = 40.163$;
 $\rho = 1000 \text{ kg/m}^3$
Ambient Temperature : $23.4 \text{ }^\circ\text{C}$; Liquid Temperature : $22.4 \text{ }^\circ\text{C}$

DASY5 Configuration

- Probe: EX3DV4 - SN3931; ConvF(8.66, 8.66, 8.66) @ 1750 MHz; Calibrated: 2019/9/26
- Sensor-Surface: 1.4mm (Mechanical Surface Detection)
- Electronics: DAE4 Sn853; Calibrated: 2020/7/23
- Phantom: ELI V5.0; Type: QD OVA 002 Ax; Serial: 1191
- Measurement SW: DASY52, Version 52.10 (4); SEMCAD X Version 14.6.14 (7483)

Pin=250mW/Area Scan (61x61x1): Interpolated grid: $dx=1.500 \text{ mm}$, $dy=1.500 \text{ mm}$
Maximum value of SAR (interpolated) = 13.6 W/kg

Pin=250mW/Zoom Scan (5x5x7)/Cube 0: Measurement grid: $dx=8\text{mm}$, $dy=8\text{mm}$, $dz=5\text{mm}$
Reference Value = 100.8 V/m ; Power Drift = 0.09 dB
Peak SAR (extrapolated) = 16.3 W/kg
SAR(1 g) = 9.21 W/kg ; SAR(10 g) = 4.98 W/kg
Maximum value of SAR (measured) = 13.9 W/kg



0 dB = $13.9 \text{ W/kg} = 11.43 \text{ dBW/kg}$

System Check_Head_1900MHz

DUT: D1900V2-5d041

Communication System: CW ; Frequency: 1900 MHz;Duty Cycle: 1:1

Medium: HSL_1900_200728 Medium parameters used: $f = 1900 \text{ MHz}$; $\sigma = 1.429 \text{ S/m}$; $\epsilon_r = 38.91$; $\rho = 1000 \text{ kg/m}^3$

Ambient Temperature : 23.2 °C ; Liquid Temperature : 22.2 °C

DASY5 Configuration

- Probe: EX3DV4 - SN7515;ConvF(8.18, 8.18, 8.18) @ 1900 MHz;Calibrated: 2019/10/22
- Sensor-Surface: 1.4mm (Mechanical Surface Detection)
- Electronics: DAE4 Sn679; Calibrated: 2020/5/6
- Phantom: ELI V5.0; Type: QD OVA 002 Ax; Serial: 1191
- Measurement SW: DASY52, Version 52.10 (4); SEMCAD X Version 14.6.14 (7483)

Pin=250mW/Area Scan (61x61x1): Interpolated grid: $dx=1.500 \text{ mm}$, $dy=1.500 \text{ mm}$

Maximum value of SAR (interpolated) = 15.1 W/kg

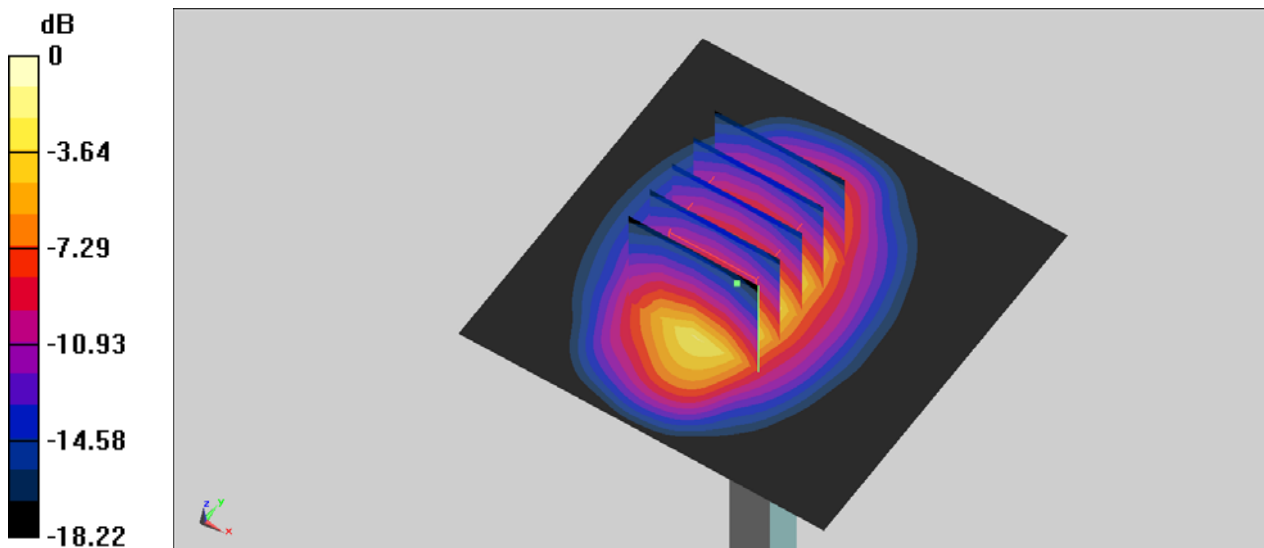
Pin=250mW/Zoom Scan (5x5x7)/Cube 0: Measurement grid: $dx=8\text{mm}$, $dy=8\text{mm}$, $dz=5\text{mm}$

Reference Value = 98.97 V/m; Power Drift = 0.02 dB

Peak SAR (extrapolated) = 18.1 W/kg

SAR(1 g) = 9.83 W/kg; SAR(10 g) = 5.13 W/kg

Maximum value of SAR (measured) = 15.3 W/kg



0 dB = 15.3 W/kg = 11.85 dBW/kg

System Check_Head_1900MHz

DUT: D1900V2-5d041

Communication System: CW; Frequency: 1900 MHz; Duty Cycle: 1:1

Medium: HSL_1900_200820 Medium parameters used: $f = 1900$ MHz; $\sigma = 1.428$ S/m; $\epsilon_r = 38.746$;
 $\rho = 1000$ kg/m³

Ambient Temperature : 23.1 °C ; Liquid Temperature : 22.1 °C

DASY5 Configuration

- Probe: EX3DV4 - SN7306; ConvF(8.06, 8.06, 8.06) @ 1900 MHz; Calibrated: 2020/7/24
- Sensor-Surface: 1.4mm (Mechanical Surface Detection)
- Electronics: DAE4 Sn854; Calibrated: 2020/5/26
- Phantom: ELI V5.0; Type: QD OVA 002 Ax; Serial: 1191
- Measurement SW: DASY52, Version 52.10 (4); SEMCAD X Version 14.6.14 (7483)

Pin=50mW/Area Scan (61x61x1): Interpolated grid: dx=1.500 mm, dy=1.500 mm
Maximum value of SAR (interpolated) = 3.34 W/kg

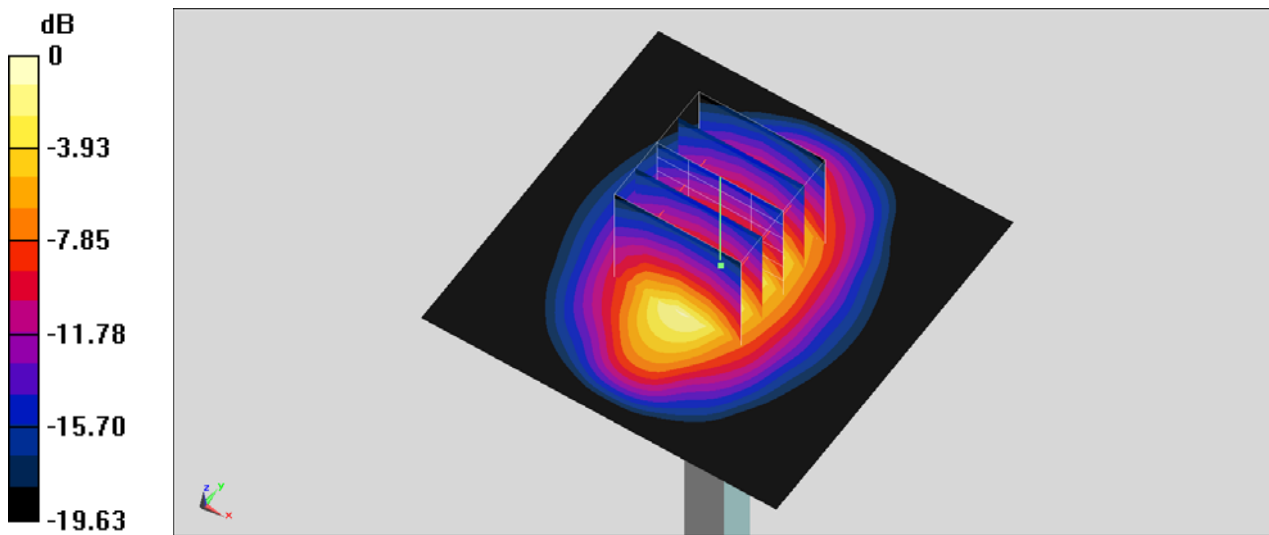
Pin=50mW/Zoom Scan (5x5x7)/Cube 0: Measurement grid: dx=8mm, dy=8mm, dz=5mm

Reference Value = 49.82 V/m; Power Drift = -0.05 dB

Peak SAR (extrapolated) = 4.18 W/kg

SAR(1 g) = 2.02 W/kg; SAR(10 g) = 1.01 W/kg

Maximum value of SAR (measured) = 3.22 W/kg



0 dB = 3.22 W/kg = 5.08 dBW/kg

System Check_Head_1900MHz

DUT: D1900V2-5d041

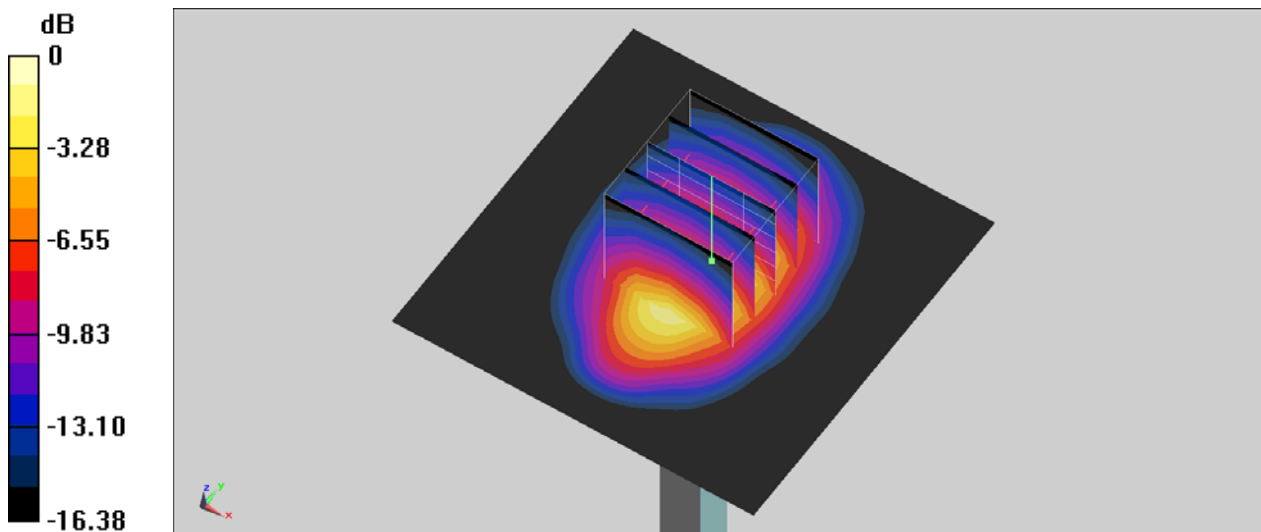
Communication System: CW; Frequency: 1900 MHz; Duty Cycle: 1:1
Medium: HSL_1900_200820 Medium parameters used: $f = 1900 \text{ MHz}$; $\sigma = 1.428 \text{ S/m}$; $\epsilon_r = 38.746$;
 $\rho = 1000 \text{ kg/m}^3$
Ambient Temperature : $23.1 \text{ }^\circ\text{C}$; Liquid Temperature : $22.1 \text{ }^\circ\text{C}$

DASY5 Configuration

- Probe: EX3DV4 - SN3642; ConvF(7.75, 7.75, 7.75) @ 1900 MHz; Calibrated: 2020/4/29
- Sensor-Surface: 1.4mm (Mechanical Surface Detection)
- Electronics: DAE4 Sn853; Calibrated: 2020/7/23
- Phantom: ELI V5.0; Type: QD OVA 002 Ax; Serial: 1191
- Measurement SW: DASY52, Version 52.10 (4); SEMCAD X Version 14.6.14 (7483)

Pin=250mW/Area Scan (61x61x1): Interpolated grid: $dx=1.500 \text{ mm}$, $dy=1.500 \text{ mm}$
Maximum value of SAR (interpolated) = 15.3 W/kg

Pin=250mW/Zoom Scan (5x5x7)/Cube 0: Measurement grid: $dx=8\text{mm}$, $dy=8\text{mm}$, $dz=5\text{mm}$
Reference Value = 104.0 V/m ; Power Drift = 0.08 dB
Peak SAR (extrapolated) = 17.9 W/kg
SAR(1 g) = 10 W/kg ; SAR(10 g) = 5.18 W/kg
Maximum value of SAR (measured) = 15.4 W/kg



0 dB = $15.4 \text{ W/kg} = 11.88 \text{ dBW/kg}$

System Check_Head_1900MHz

DUT: D1900V2-5d041

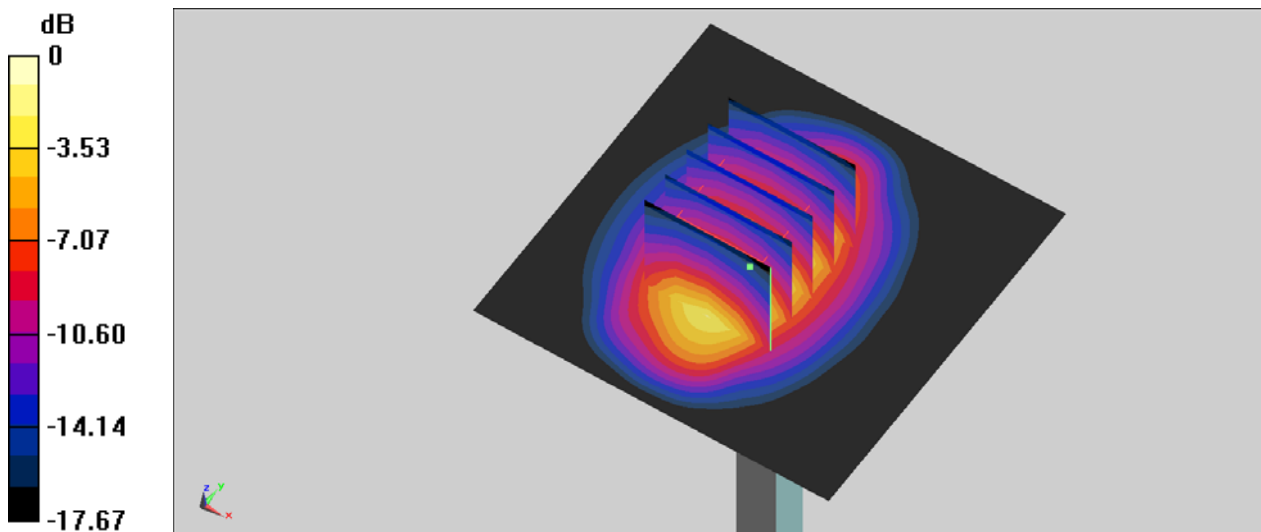
Communication System: CW; Frequency: 1900 MHz; Duty Cycle: 1:1
Medium: HSL_1900_200826 Medium parameters used: $f = 1900 \text{ MHz}$; $\sigma = 1.423 \text{ S/m}$; $\epsilon_r = 38.615$;
 $\rho = 1000 \text{ kg/m}^3$
Ambient Temperature : $23.4 \text{ }^\circ\text{C}$; Liquid Temperature : $22.4 \text{ }^\circ\text{C}$

DASY5 Configuration

- Probe: EX3DV4 - SN3931; ConvF(8.32, 8.32, 8.32) @ 1900 MHz; Calibrated: 2019/9/26
- Sensor-Surface: 1.4mm (Mechanical Surface Detection)
- Electronics: DAE4 Sn853; Calibrated: 2020/7/23
- Phantom: ELI V5.0; Type: QD OVA 002 Ax; Serial: 1191
- Measurement SW: DASY52, Version 52.10 (4); SEMCAD X Version 14.6.14 (7483)

Pin=250mW/Area Scan (61x61x1): Interpolated grid: $dx=1.500 \text{ mm}$, $dy=1.500 \text{ mm}$
Maximum value of SAR (interpolated) = 15.7 W/kg

Pin=250mW/Zoom Scan (5x5x7)/Cube 0: Measurement grid: $dx=8\text{mm}$, $dy=8\text{mm}$, $dz=5\text{mm}$
Reference Value = 104.9 V/m ; Power Drift = 0.05 dB
Peak SAR (extrapolated) = 19.0 W/kg
SAR(1 g) = 10.5 W/kg ; SAR(10 g) = 5.54 W/kg
Maximum value of SAR (measured) = 16.1 W/kg



0 dB = $16.1 \text{ W/kg} = 12.07 \text{ dBW/kg}$

System Check_Head_2300MHz

DUT: D2300V2-1006

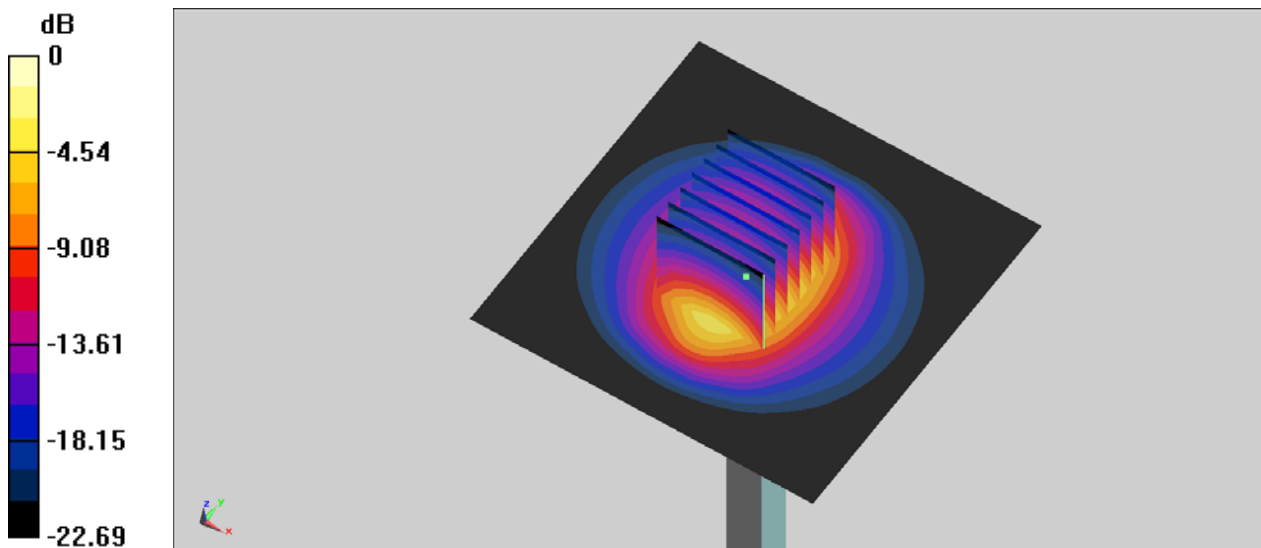
Communication System: CW; Frequency: 2300 MHz; Duty Cycle: 1:1
Medium: HSL_2300_200805 Medium parameters used: $f = 2300$ MHz; $\sigma = 1.671$ S/m; $\epsilon_r = 39.026$;
 $\rho = 1000$ kg/m³
Ambient Temperature : 23.2 °C ; Liquid Temperature : 22.2 °C

DASY5 Configuration

- Probe: EX3DV4 - SN7515; ConvF(7.73, 7.73, 7.73) @ 2300 MHz; Calibrated: 2019/10/22
- Sensor-Surface: 1.4mm (Mechanical Surface Detection)
- Electronics: DAE4 Sn679; Calibrated: 2020/5/6
- Phantom: ELI V5.0; Type: QD OVA 002 Ax; Serial: 1191
- Measurement SW: DASY52, Version 52.10 (4); SEMCAD X Version 14.6.14 (7483)

Pin=250mW/Area Scan (81x81x1): Interpolated grid: dx=1.200 mm, dy=1.200 mm
Maximum value of SAR (interpolated) = 20.9 W/kg

Pin=250mW/Zoom Scan (7x7x7)/Cube 0: Measurement grid: dx=5mm, dy=5mm, dz=5mm
Reference Value = 115.8 V/m; Power Drift = -0.03 dB
Peak SAR (extrapolated) = 25.8 W/kg
SAR(1 g) = 12.3 W/kg; SAR(10 g) = 5.64 W/kg
Maximum value of SAR (measured) = 20.6 W/kg



0 dB = 20.6 W/kg = 13.14 dBW/kg

System Check_Head_2300MHz

DUT: D2300V2-1006

Communication System: CW; Frequency: 2300 MHz; Duty Cycle: 1:1

Medium: HSL_2300_200826 Medium parameters used: $f = 2300$ MHz; $\sigma = 1.637$ S/m; $\epsilon_r = 39.35$; $\rho = 1000$ kg/m³

Ambient Temperature : 23.4 °C ; Liquid Temperature : 22.4 °C

DASY5 Configuration

- Probe: EX3DV4 - SN3931; ConvF(7.83, 7.83, 7.83) @ 2300 MHz; Calibrated: 2019/9/26
- Sensor-Surface: 1.4mm (Mechanical Surface Detection)
- Electronics: DAE4 Sn853; Calibrated: 2020/7/23
- Phantom: ELI V5.0; Type: QD OVA 002 Ax; Serial: 1191
- Measurement SW: DASY52, Version 52.10 (4); SEMCAD X Version 14.6.14 (7483)

Pin=250mW/Area Scan (71x71x1): Interpolated grid: dx=1.200 mm, dy=1.200 mm

Maximum value of SAR (interpolated) = 18.0 W/kg

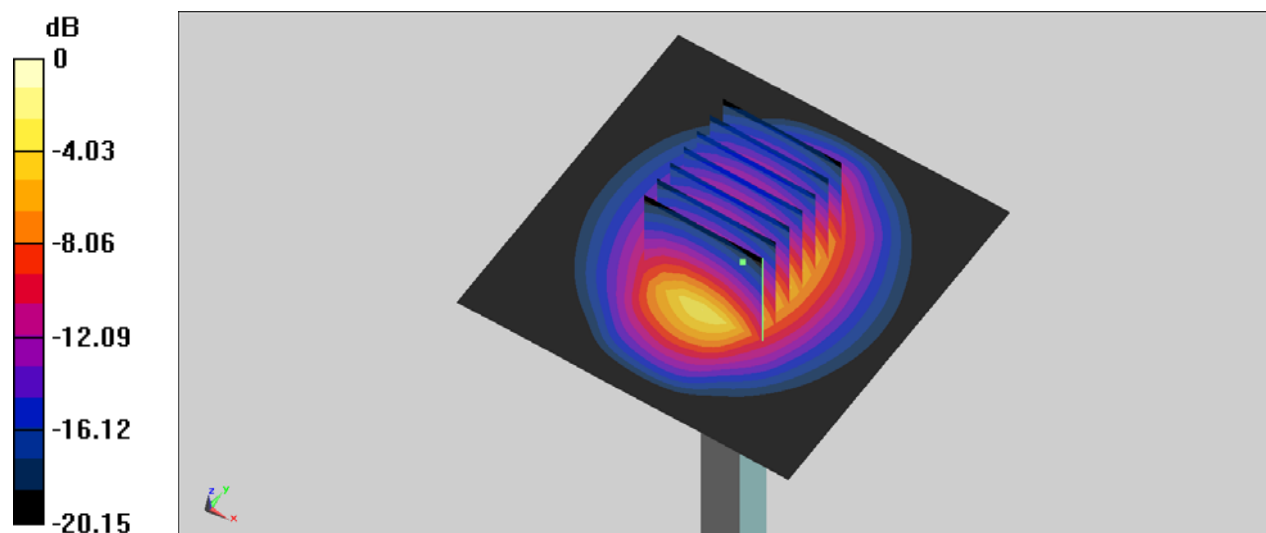
Pin=250mW/Zoom Scan (7x7x7)/Cube 0: Measurement grid: dx=5mm, dy=5mm, dz=5mm

Reference Value = 106.6 V/m; Power Drift = -0.07 dB

Peak SAR (extrapolated) = 21.9 W/kg

SAR(1 g) = 11.2 W/kg; SAR(10 g) = 5.38 W/kg

Maximum value of SAR (measured) = 18.0 W/kg



0 dB = 18.0 W/kg = 12.55 dBW/kg

System Check_Head_2600MHz

DUT: D2600V2-1078

Communication System: CW; Frequency: 2600 MHz; Duty Cycle: 1:1

Medium: HSL_2600_200805 Medium parameters used: $f = 2600$ MHz; $\sigma = 1.995$ S/m; $\epsilon_r = 37.914$;
 $\rho = 1000$ kg/m³

Ambient Temperature : 23.2 °C ; Liquid Temperature : 22.2 °C

DASY5 Configuration

- Probe: EX3DV4 - SN7515; ConvF(7.3, 7.3, 7.3) @ 2600 MHz; Calibrated: 2019/10/22
- Sensor-Surface: 1.4mm (Mechanical Surface Detection)
- Electronics: DAE4 Sn679; Calibrated: 2020/5/6
- Phantom: ELI V5.0; Type: QD OVA 002 Ax; Serial: 1191
- Measurement SW: DASY52, Version 52.10 (4); SEMCAD X Version 14.6.14 (7483)

Pin=250mW/Area Scan (81x81x1): Interpolated grid: dx=1.200 mm, dy=1.200 mm
Maximum value of SAR (interpolated) = 24.3 W/kg

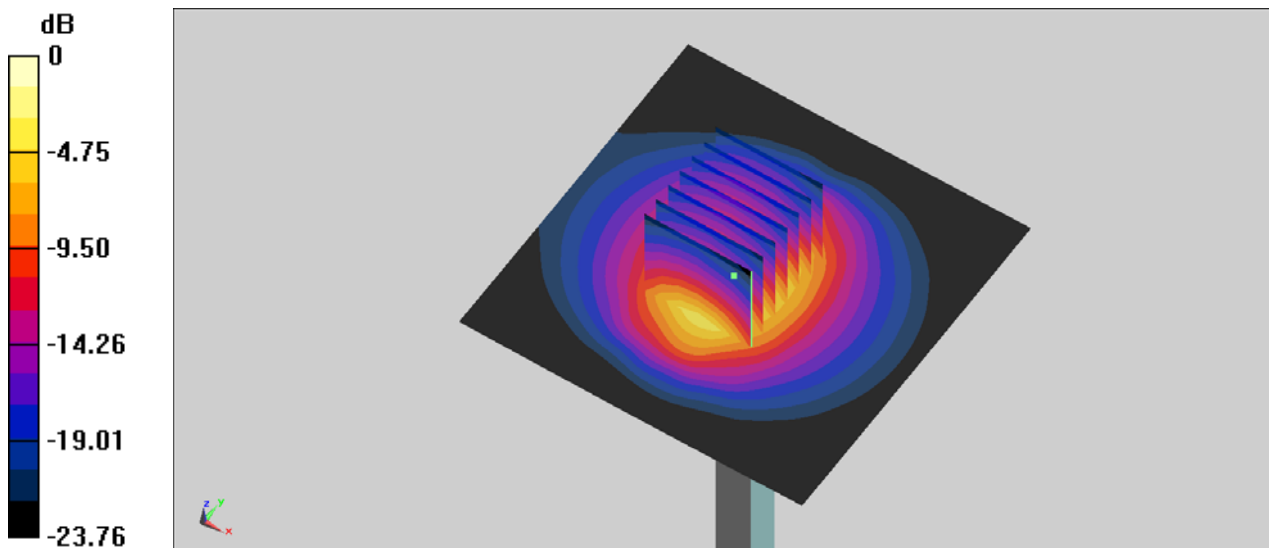
Pin=250mW/Zoom Scan (7x7x7)/Cube 0: Measurement grid: dx=5mm, dy=5mm, dz=5mm

Reference Value = 112.8 V/m; Power Drift = -0.05 dB

Peak SAR (extrapolated) = 30.8 W/kg

SAR(1 g) = 14.4 W/kg; SAR(10 g) = 6.5 W/kg

Maximum value of SAR (measured) = 24.5 W/kg



0 dB = 24.5 W/kg = 13.89 dBW/kg

System Check_Head_2600MHz

DUT: D2600V2-1078

Communication System: CW; Frequency: 2600 MHz; Duty Cycle: 1:1

Medium: HSL_2600_200821 Medium parameters used: $f = 2600$ MHz; $\sigma = 1.942$ S/m; $\epsilon_r = 38.57$; $\rho = 1000$ kg/m³

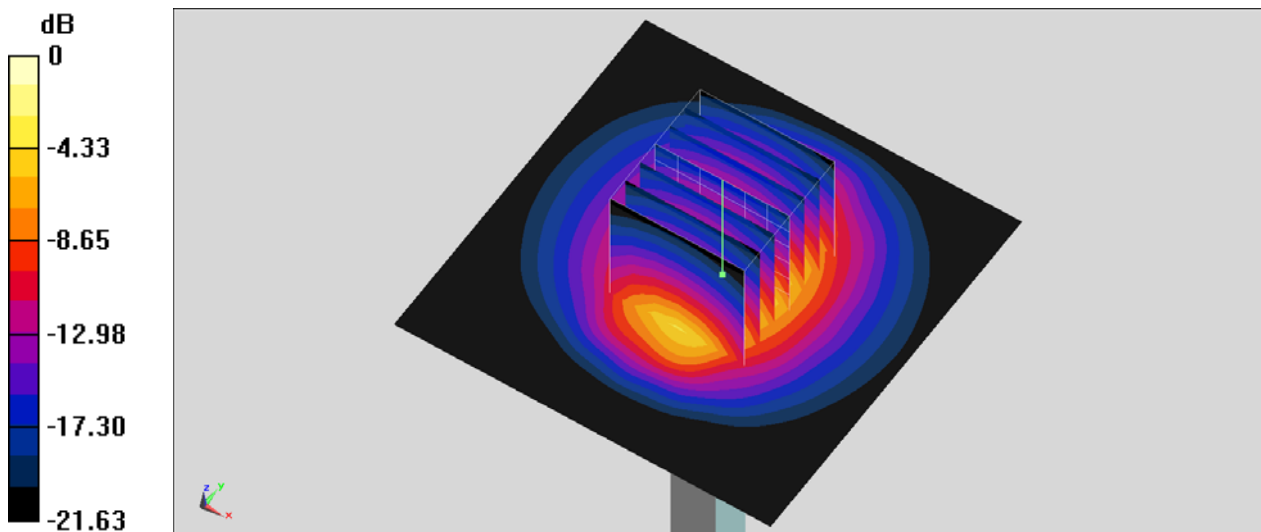
Ambient Temperature : 23.1 °C; Liquid Temperature : 22.1 °C

DASY5 Configuration

- Probe: EX3DV4 - SN3642; ConvF(6.95, 6.95, 6.95) @ 2600 MHz; Calibrated: 2020/4/29
- Sensor-Surface: 1.4mm (Mechanical Surface Detection)
- Electronics: DAE4 Sn853; Calibrated: 2020/7/23
- Phantom: ELI V5.0; Type: QD OVA 002 Ax; Serial: 1191
- Measurement SW: DASY52, Version 52.10 (4); SEMCAD X Version 14.6.14 (7483)

Pin=250mW/Area Scan (71x71x1): Interpolated grid: dx=1.200 mm, dy=1.200 mm
Maximum value of SAR (interpolated) = 21.7 W/kg

Pin=250mW/Zoom Scan (7x7x7)/Cube 0: Measurement grid: dx=5mm, dy=5mm, dz=5mm
Reference Value = 106.0 V/m; Power Drift = -0.07 dB
Peak SAR (extrapolated) = 26.0 W/kg
SAR(1 g) = 13.1 W/kg; SAR(10 g) = 5.96 W/kg
Maximum value of SAR (measured) = 21.4 W/kg



0 dB = 21.4 W/kg = 13.30 dBW/kg

System Check_Head_2600MHz

DUT: D2600V2-1078

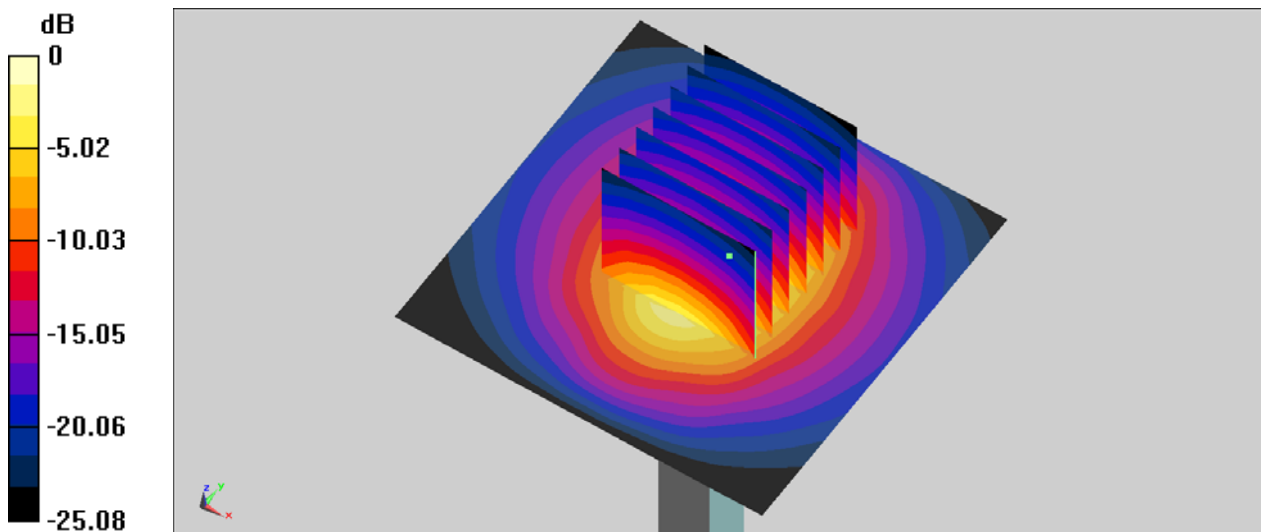
Communication System: CW; Frequency: 2600 MHz; Duty Cycle: 1:1
Medium: HSL_2600_200821 Medium parameters used: $f = 2600$ MHz; $\sigma = 1.993$ S/m; $\epsilon_r = 38.287$;
 $\rho = 1000$ kg/m³
Ambient Temperature : 23.1 °C ; Liquid Temperature : 22.1 °C

DASY5 Configuration

- Probe: EX3DV4 - SN7306; ConvF(7.34, 7.34, 7.34) @ 2600 MHz; Calibrated: 2020/7/24
- Sensor-Surface: 1.4mm (Mechanical Surface Detection)
- Electronics: DAE4 Sn854; Calibrated: 2020/5/26
- Phantom: ELI V5.0; Type: QD OVA 002 Ax; Serial: 1191
- Measurement SW: DASY52, Version 52.10 (4); SEMCAD X Version 14.6.14 (7483)

Pin=250mW/Area Scan (61x61x1): Interpolated grid: dx=1.200 mm, dy=1.200 mm
Maximum value of SAR (interpolated) = 27.7 W/kg

Pin=250mW/Zoom Scan (7x7x7)/Cube 0: Measurement grid: dx=5mm, dy=5mm, dz=5mm
Reference Value = 115.3 V/m; Power Drift = -0.04 dB
Peak SAR (extrapolated) = 34.7 W/kg
SAR(1 g) = 15.1 W/kg; SAR(10 g) = 6.56 W/kg
Maximum value of SAR (measured) = 26.8 W/kg



0 dB = 26.8 W/kg = 14.28 dBW/kg

System Check_Head_2600MHz

DUT: D2600V2-1078

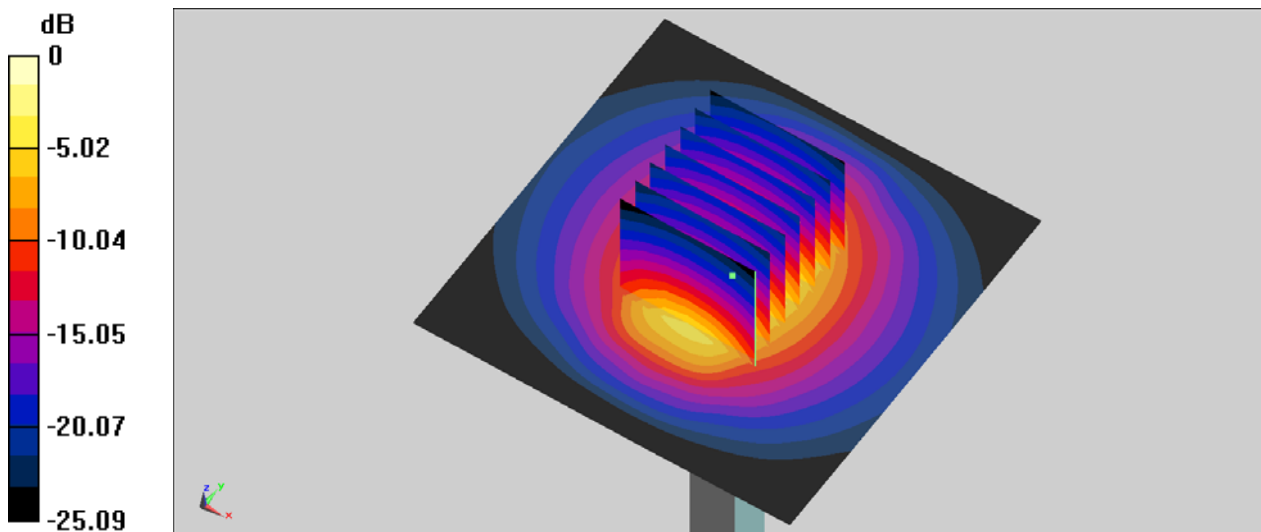
Communication System: CW; Frequency: 2600 MHz; Duty Cycle: 1:1
Medium: HSL_2600_200826 Medium parameters used: $f = 2600$ MHz; $\sigma = 1.981$ S/m; $\epsilon_r = 38.165$;
 $\rho = 1000$ kg/m³
Ambient Temperature : 23.4 °C; Liquid Temperature : 22.4 °C

DASY5 Configuration

- Probe: EX3DV4 - SN3931; ConvF(7.43, 7.43, 7.43) @ 2600 MHz; Calibrated: 2019/9/26
- Sensor-Surface: 1.4mm (Mechanical Surface Detection)
- Electronics: DAE4 Sn853; Calibrated: 2020/7/23
- Phantom: ELI V5.0; Type: QD OVA 002 Ax; Serial: 1191
- Measurement SW: DASY52, Version 52.10 (4); SEMCAD X Version 14.6.14 (7483)

Pin=250mW/Area Scan (71x71x1): Interpolated grid: dx=1.200 mm, dy=1.200 mm
Maximum value of SAR (interpolated) = 25.8 W/kg

Pin=250mW/Zoom Scan (7x7x7)/Cube 0: Measurement grid: dx=5mm, dy=5mm, dz=5mm
Reference Value = 115.8 V/m; Power Drift = -0.01 dB
Peak SAR (extrapolated) = 31.4 W/kg
SAR(1 g) = 14.4 W/kg; SAR(10 g) = 6.33 W/kg
Maximum value of SAR (measured) = 25.0 W/kg



0 dB = 25.0 W/kg = 13.98 dBW/kg

System Check_Head_3500MHz

DUT: D3500V2-1014

Communication System: CW; Frequency: 3500 MHz; Duty Cycle: 1:1

Medium: HSL_3500_200815 Medium parameters used: $f = 3500$ MHz; $\sigma = 2.936$ S/m; $\epsilon_r = 37.527$; $\rho = 1000$ kg/m³

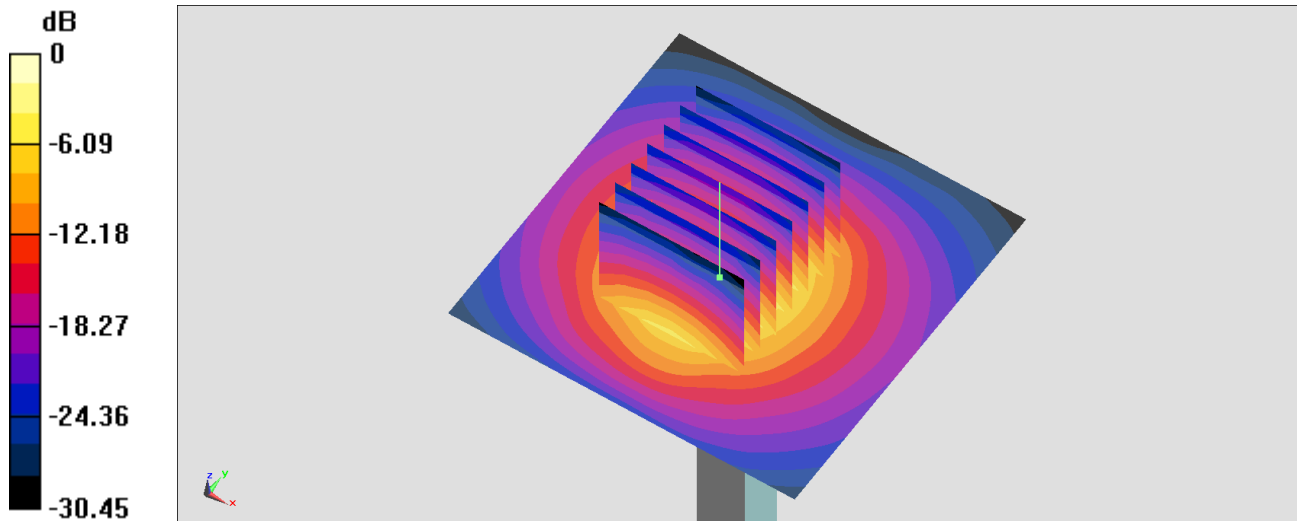
Ambient Temperature : 23.5 °C ; Liquid Temperature : 22.5 °C

DASY5 Configuration:

- Probe: EX3DV4 - SN3925; ConvF(7.19, 7.19, 7.19) @ 3500 MHz; Calibrated: 2019/9/20
- Sensor-Surface: 1.4mm (Mechanical Surface Detection)
- Electronics: DAE4 Sn778; Calibrated: 2020/6/4
- Phantom: ELI v5.0_Left; Type: QDOVA002AA; Serial: TP:1238
- Measurement SW: DASY52, Version 52.10 (4); SEMCAD X Version 14.6.14 (7483)

Pin=100mW/Area Scan (61x61x1): Interpolated grid: dx=1.200 mm, dy=1.200 mm
Maximum value of SAR (interpolated) = 12.9 W/kg

Pin=100mW/Zoom Scan (7x7x7)/Cube 0: Measurement grid: dx=5mm, dy=5mm, dz=1.4mm
Reference Value = 68.22 V/m; Power Drift = 0.06 dB
Peak SAR (extrapolated) = 17.3 W/kg
SAR(1 g) = 6.51 W/kg; SAR(10 g) = 2.44 W/kg
Maximum value of SAR (measured) = 12.9 W/kg



0 dB = 12.9 W/kg = 11.11 dBW/kg

System Check_Head_3500MHz

DUT: D3500V2-1014

Communication System: CW; Frequency: 3500 MHz; Duty Cycle: 1:1

Medium: HSL_3500_200824 Medium parameters used: $f = 3500$ MHz; $\sigma = 2.95$ S/m; $\epsilon_r = 38.103$; $\rho = 1000$ kg/m³

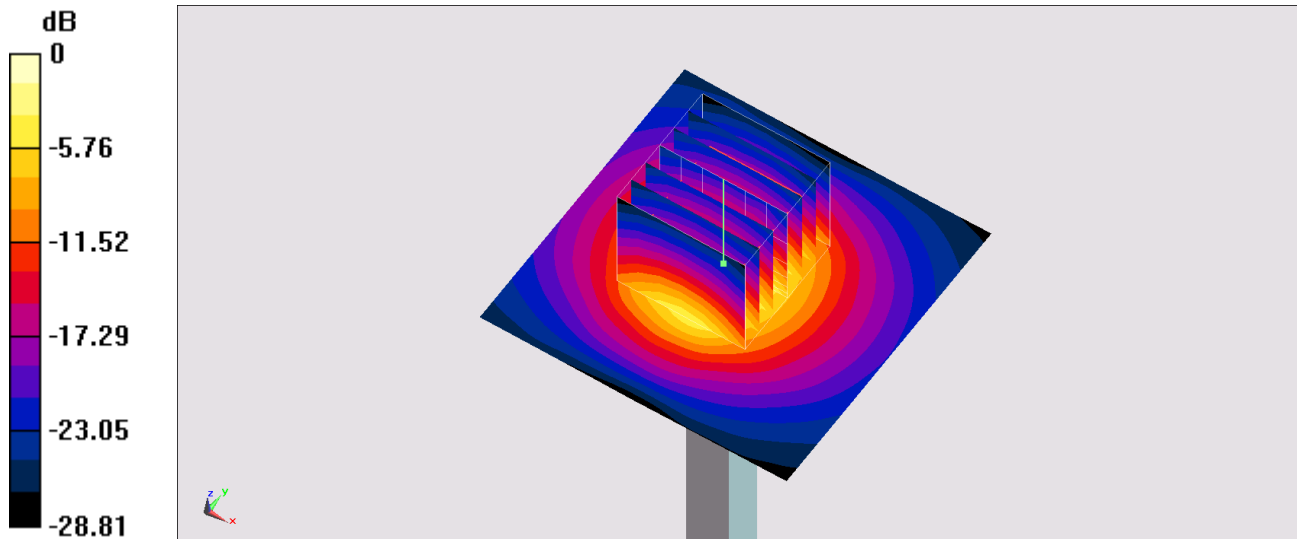
Ambient Temperature : 23.2 °C; Liquid Temperature : 22.2 °C

DASY5 Configuration:

- Probe: EX3DV4 - SN3931; ConvF(7.05, 7.05, 7.05) @ 3500 MHz; Calibrated: 2019/9/26
- Sensor-Surface: 1.4mm (Mechanical Surface Detection)
- Electronics: DAE4 Sn853; Calibrated: 2020/7/23
- Phantom: ELI v4.0; Type: QDOVA001BB; Serial: 1026
- Measurement SW: DASY52, Version 52.10 (4); SEMCAD X Version 14.6.14 (7483)

Pin=100mW/Area Scan (61x61x1): Interpolated grid: dx=1.200 mm, dy=1.200 mm
Maximum value of SAR (interpolated) = 13.5 W/kg

Pin=100mW/Zoom Scan (7x7x7)/Cube 0: Measurement grid: dx=5mm, dy=5mm, dz=1.4mm
Reference Value = 70.16 V/m; Power Drift = 0.04 dB
Peak SAR (extrapolated) = 17.9 W/kg
SAR(1 g) = 6.7 W/kg; SAR(10 g) = 2.48 W/kg
Maximum value of SAR (measured) = 13.2 W/kg



0 dB = 13.5 W/kg = 11.30 dBW/kg

System Check_Head_3500MHz

DUT: D3500V2-1014

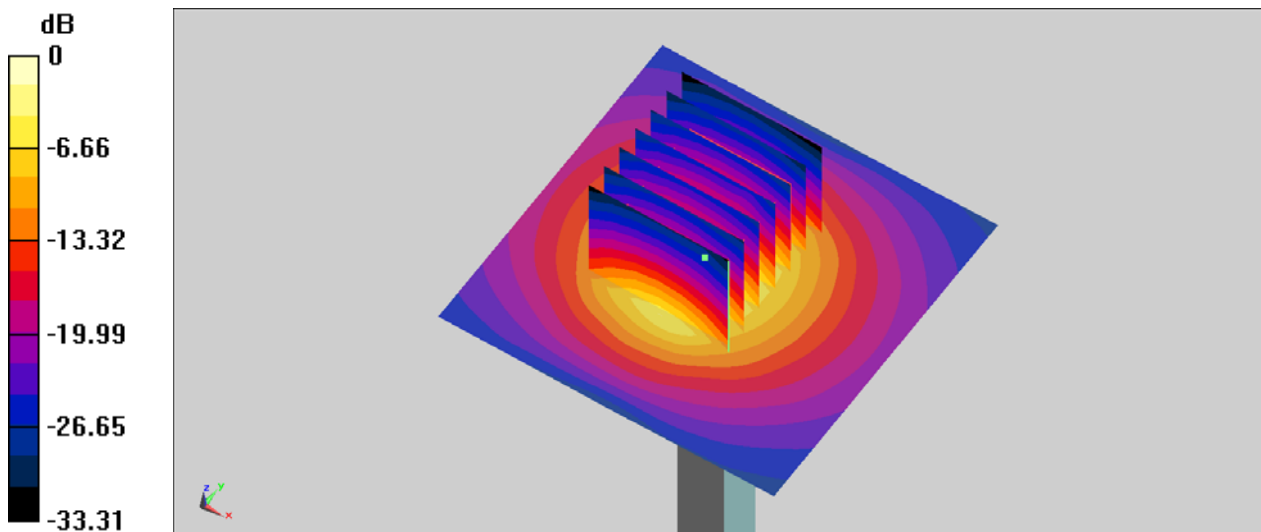
Communication System: CW; Frequency: 3500 MHz; Duty Cycle: 1:1
Medium: HSL_3500_200826 Medium parameters used: $f = 3500 \text{ MHz}$; $\sigma = 2.925 \text{ S/m}$; $\epsilon_r = 37.444$;
 $\rho = 1000 \text{ kg/m}^3$
Ambient Temperature : $23.4 \text{ }^\circ\text{C}$; Liquid Temperature : $22.4 \text{ }^\circ\text{C}$

DASY5 Configuration

- Probe: EX3DV4 - SN3931; ConvF(7.05, 7.05, 7.05) @ 3500 MHz; Calibrated: 2019/9/26
- Sensor-Surface: 1.4mm (Mechanical Surface Detection)
- Electronics: DAE4 Sn853; Calibrated: 2020/7/23
- Phantom: ELI V5.0; Type: QD OVA 002 Ax; Serial: 1191
- Measurement SW: DASY52, Version 52.10 (4); SEMCAD X Version 14.6.14 (7483)

Pin=100mW/Area Scan (61x61x1): Interpolated grid: $dx=1.200 \text{ mm}$, $dy=1.200 \text{ mm}$
Maximum value of SAR (interpolated) = 13.3 W/kg

Pin=100mW/Zoom Scan (7x7x7)/Cube 0: Measurement grid: $dx=5\text{mm}$, $dy=5\text{mm}$, $dz=1.4\text{mm}$
Reference Value = 70.16 V/m ; Power Drift = 0.04 dB
Peak SAR (extrapolated) = 17.8 W/kg
SAR(1 g) = 6.64 W/kg ; SAR(10 g) = 2.46 W/kg
Maximum value of SAR (measured) = 13.1 W/kg



0 dB = $13.1 \text{ W/kg} = 11.17 \text{ dBW/kg}$

System Check_Head_3700MHz

DUT: D3700V2-1006

Communication System: CW; Frequency: 3700 MHz; Duty Cycle: 1:1

Medium: HSL_3700_200815 Medium parameters used: $f = 3700$ MHz; $\sigma = 3.121$ S/m; $\epsilon_r = 37.228$; $\rho = 1000$ kg/m³

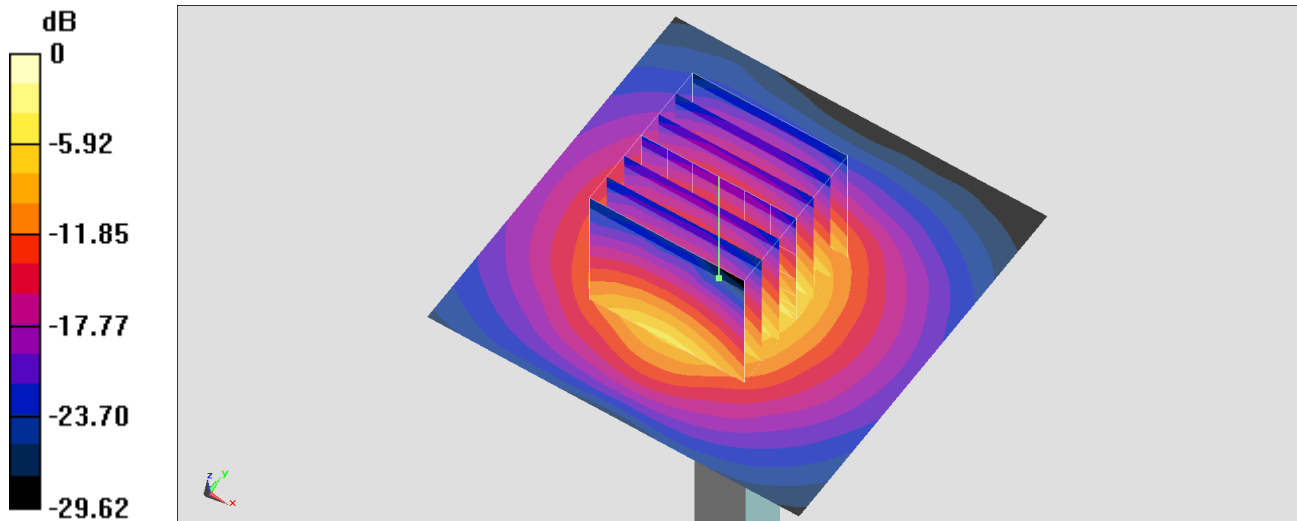
Ambient Temperature : 23.5 °C ; Liquid Temperature : 22.5 °C

DASY5 Configuration:

- Probe: EX3DV4 - SN3925; ConvF(6.91, 6.91, 6.91) @ 3700 MHz; Calibrated: 2019/9/20
- Sensor-Surface: 1.4mm (Mechanical Surface Detection)
- Electronics: DAE4 Sn778; Calibrated: 2020/6/4
- Phantom: ELI v5.0_Left; Type: QDOVA002AA; Serial: TP:1238
- Measurement SW: DASY52, Version 52.10 (4); SEMCAD X Version 14.6.14 (7483)

Pin=100mW/Area Scan (61x61x1): Interpolated grid: dx=1.200 mm, dy=1.200 mm
Maximum value of SAR (interpolated) = 14.0 W/kg

Pin=100mW/Zoom Scan (7x7x7)/Cube 0: Measurement grid: dx=5mm, dy=5mm, dz=1.4mm
Reference Value = 68.15 V/m; Power Drift = 0.02 dB
Peak SAR (extrapolated) = 19.0 W/kg
SAR(1 g) = 6.84 W/kg; SAR(10 g) = 2.46 W/kg
Maximum value of SAR (measured) = 13.9 W/kg



0 dB = 14.0 W/kg = 11.46 dBW/kg

System Check_Head_3700MHz

DUT: D3700V2-1006

Communication System: CW; Frequency: 3700 MHz; Duty Cycle: 1:1

Medium: HSL_3700_200824 Medium parameters used: $f = 3700$ MHz; $\sigma = 3.16$ S/m; $\epsilon_r = 37.901$; $\rho = 1000$ kg/m³

Ambient Temperature : 23.2 °C; Liquid Temperature : 22.2 °C

DASY5 Configuration:

- Probe: EX3DV4 - SN3931; ConvF(6.97, 6.97, 6.97) @ 3700 MHz; Calibrated: 2019/9/26
- Sensor-Surface: 1.4mm (Mechanical Surface Detection)
- Electronics: DAE4 Sn853; Calibrated: 2020/7/23
- Phantom: ELI v4.0; Type: QDOVA001BB; Serial: 1026
- Measurement SW: DASY52, Version 52.10 (4); SEMCAD X Version 14.6.14 (7483)

Pin=100mW/Area Scan (61x61x1): Interpolated grid: dx=1.200 mm, dy=1.200 mm

Maximum value of SAR (interpolated) = 14.6 W/kg

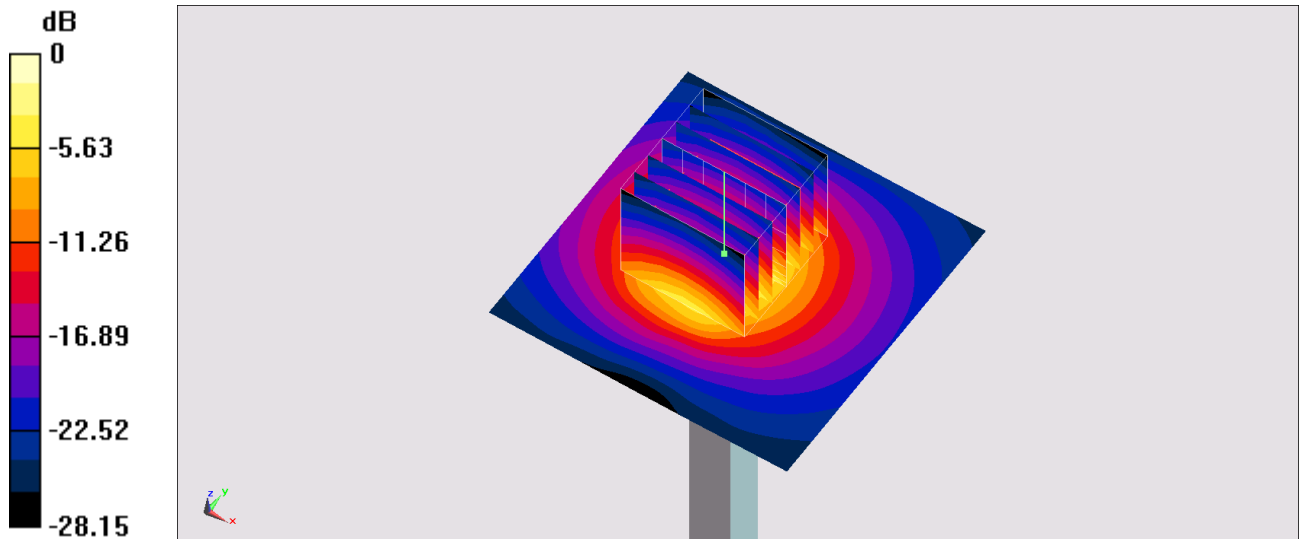
Pin=100mW/Zoom Scan (7x7x7)/Cube 0: Measurement grid: dx=5mm, dy=5mm, dz=1.4mm

Reference Value = 66.96 V/m; Power Drift = 0.08 dB

Peak SAR (extrapolated) = 20.1 W/kg

SAR(1 g) = 6.82 W/kg; SAR(10 g) = 2.43 W/kg

Maximum value of SAR (measured) = 14.0 W/kg



0 dB = 14.6 W/kg = 11.64 dBW/kg

System Check_Head_3700MHz

DUT: D3700V2-1006

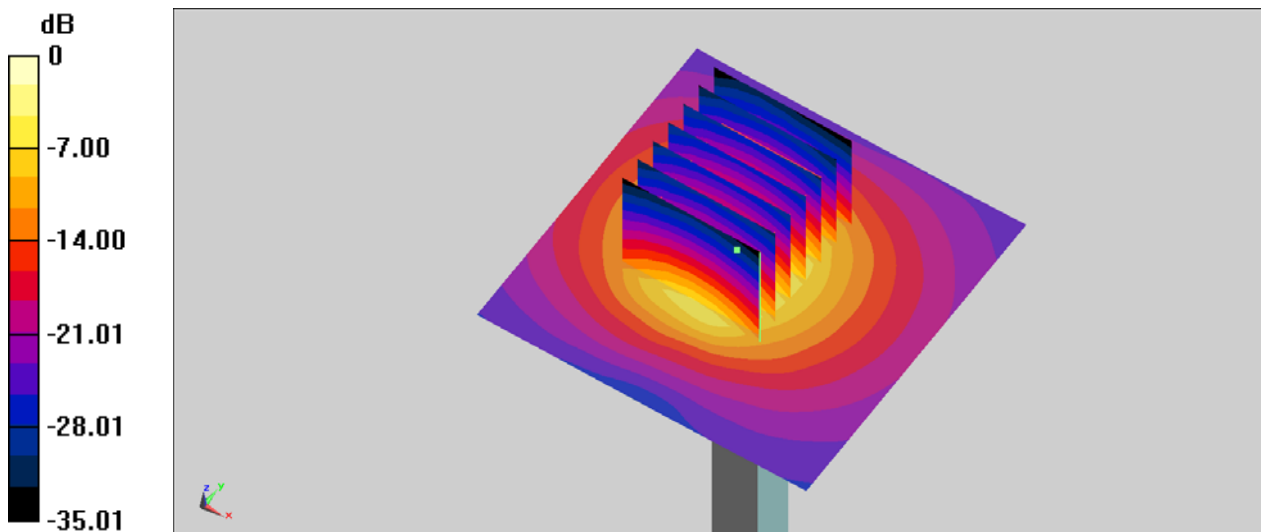
Communication System: CW; Frequency: 3700 MHz; Duty Cycle: 1:1
Medium: HSL_3700_200826 Medium parameters used: $f = 3700$ MHz; $\sigma = 3.109$ S/m; $\epsilon_r = 37.145$;
 $\rho = 1000$ kg/m³
Ambient Temperature : 23.4 °C ; Liquid Temperature : 22.4 °C

DASY5 Configuration

- Probe: EX3DV4 - SN3931; ConvF(6.97, 6.97, 6.97) @ 3700 MHz; Calibrated: 2019/9/26
- Sensor-Surface: 1.4mm (Mechanical Surface Detection)
- Electronics: DAE4 Sn853; Calibrated: 2020/7/23
- Phantom: ELI V5.0; Type: QD OVA 002 Ax; Serial: 1191
- Measurement SW: DASY52, Version 52.10 (4); SEMCAD X Version 14.6.14 (7483)

Pin=100mW/Area Scan (61x61x1): Interpolated grid: dx=1.200 mm, dy=1.200 mm
Maximum value of SAR (interpolated) = 14.4 W/kg

Pin=100mW/Zoom Scan (7x7x7)/Cube 0: Measurement grid: dx=5mm, dy=5mm, dz=1.4mm
Reference Value = 66.96 V/m; Power Drift = 0.02 dB
Peak SAR (extrapolated) = 19.8 W/kg
SAR(1 g) = 6.71 W/kg; SAR(10 g) = 2.4 W/kg
Maximum value of SAR (measured) = 13.8 W/kg



0 dB = 13.8 W/kg = 11.40 dBW/kg