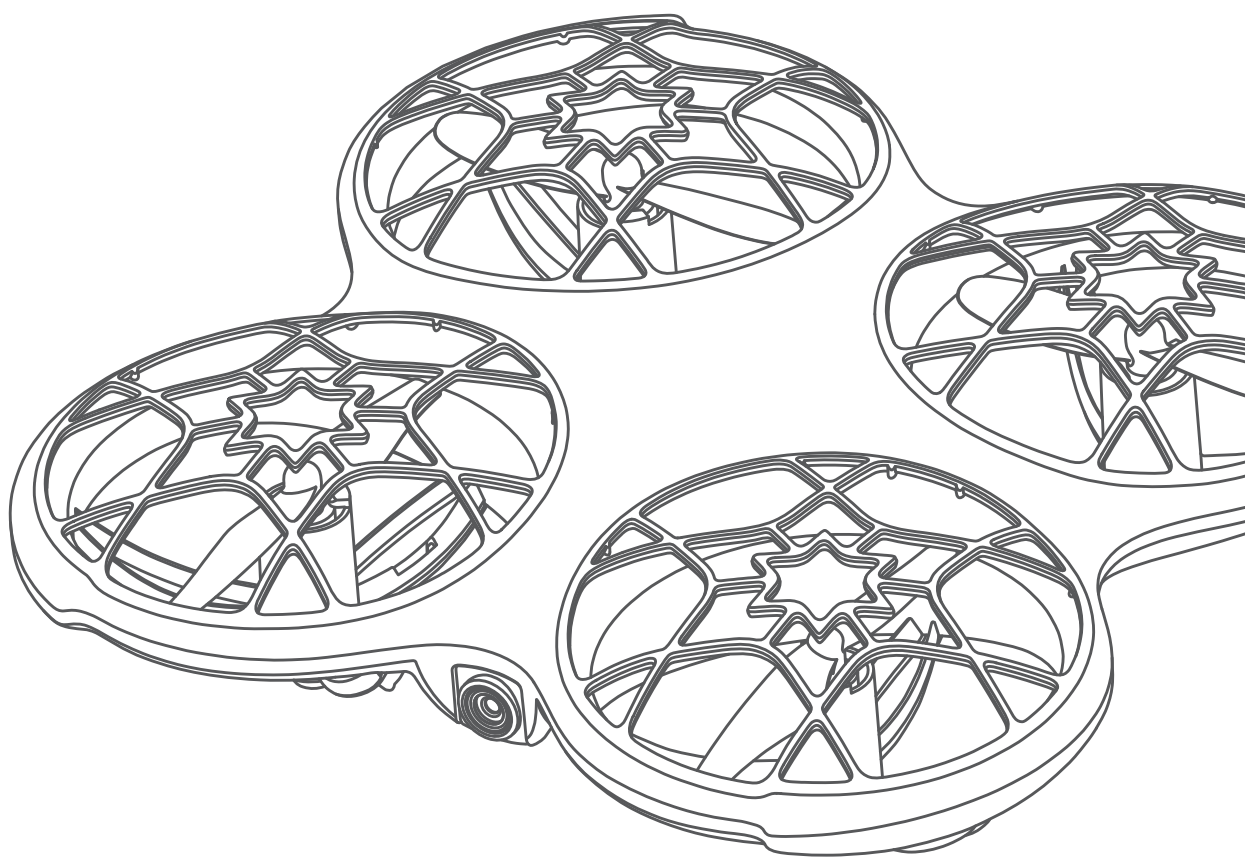


K30

■ CAMERA MINI DRONE

FOR AGES
14+



USER MANUAL

Please read this manual carefully before flying and keep it for future use.

V1.01

- For your safety, please follow the rules and safety guidelines whether you're a beginner or an expert at flying drones.
- According to the relevant laws and regulations in US, all drones must be registered, except those that weigh 0.55 pounds or less (less than 250 grams) and are flown exclusively under the Exception for Recreational Flyers. Please log in to the website of <https://faadronezone-access.faa.gov/#/> to complete the registration.

Make sure to observe local laws and regulations about the take-off weight. If the buyer does not register timely, SNAPTAIN will not be responsible for any losses, penalties and injuries caused by illegal flights.

- To meet the electromagnetic requirements of aviation on the radio station, it is forbidden to fly drones within 6.21 miles(10km) on both sides of the runway centerline, or within 12.43 miles(20km) of both ends of the runway. It is also prohibited to fly a drone on the route of an airline. In the area that is prohibited by the relevant authority or department of your country, stop using all flying models and unmanned quadrotors.
- Please download the B4UFLY App from Google Play or App Store, which provides real-time information about airspace restrictions and other flying requirements based on your GPS location.
- Beginning September 16, 2023, all drone pilots who are required to register their UAS must operate in accordance with the rule on Remote ID.

ENGLISH



Bright Skies, Happy Vibes

Thank you for choosing our product and putting your trust in us.

Contact us via email at

support@snaptain.com or call us **(415)991-6646**(Mon-Fri)

if you have questions or concerns about the product.

We hope our products will make flying a whole new experience for you!

Please read the manual carefully for the best use of this product.

CONTENTS

FLIGHT SAFETY	01
BATTERY SAFETY	02
WHAT'S INCLUDED	03
PRODUCT OVERVIEW	04
Drone	04
Remote	05
FIRST-TIME USE	06
Flight Preparation	06
Connect the SNAPTAIN FPV App with Your Drone	08
Flight Control	09
Flight Directions	10
FUNCTIONS	11
One Key Take-off and Landing	11
Circle Fly	12
Doodlefly	12
3D Flip	13
Emergency Stop	14
Throw to Go	15
Light Mode Switch	15
FN (Custom Function)	15
Headless Mode	16
Find Your Drone	17
DRONE'S LIGHTS	18
BEEPS EXPLANATION	18
SPECIFICATIONS	19
Drone	19
Camera	19
Remote	20

FLIGHT SAFETY

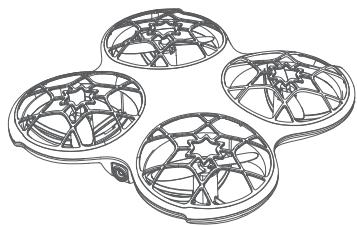
* This drone is exclusively designed for indoor flying. Please do not use it outdoors to prevent the risk of losing it.

1. For the safety of your property, keep the drone within your visual range during flight.
2. Drones are made of materials including metal, fiber, plastic, and electronic components. Avoid prolonged exposure to direct sunlight and keep them away from any heat sources. Excessive heat can cause deformation and damage.
3. Drones consist of various precision electronic and mechanical parts. Therefore, make sure that moisture and water do not enter the drone to prevent mechanical or electronic component failures that could lead to accidents.
4. The performance of the drone and battery can be affected by environmental factors such as air density and temperature. Exercise caution when flying at altitudes above 3281 ft (1000 m) above sea level, as the performance of the battery and drone may be reduced.
5. To avoid interference between the drone and other wireless devices, please turn off other wireless devices while using the drone.
6. Avoid flying in areas where magnetic or radio interference may occur, such as near Wi-Fi hotspots, routers, Bluetooth devices, high-voltage power lines, high-voltage power transmission stations, mobile base stations, or broadcast towers. Flying in areas where interference can disrupt communication between the drone and remote may adversely affect flight direction and positioning accuracy, possibly resulting in loss of control. Interference can also cause errors in the video downlink connection.
7. Be cautious around children. Avoid placing fingers in the rotating propellers.
8. Inside the packaging are small accessories. Do not swallow them. Seek immediate medical help if accidentally ingested.
9. Secure valuable items during indoor flights to prevent accidental damage due to operational errors.

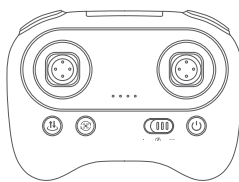
BATTERY SAFETY

- RISK OF EXPLOSION BATTERY IS REPLACED BY AN INCORRECT TYPE
- DISPOSE OF USED BATTERIES ACCORDING TO THE INSTRUCTIONS
- BATTERY MUST BE RECYCLED OR DISPOSED OF PROPERLY
- Under no circumstances should the battery touch any liquids. Avoid using the battery in rainy or wet conditions, as it may catch fire or explode unexpectedly.
- It is not allowed to use batteries that are not provided by the manufacturer. Additionally, it is advisable to use the package-included USB charging cable for charging the batteries.
- Batteries that are swollen, leaking, or damaged are strictly forbidden.
- It is recommended to use the battery between -10°C and 40°C overheating may lead to a fire or explosion. A battery's performance can be adversely affected by extremely low temperatures.
- Do not insert or puncture the battery with any sharp object.
- Battery liquid is highly corrosive, so stay away if it leaks. If skin or eyes are contacted, rinse immediately with plenty of water and seek medical attention.
- Please keep the battery out of children's reach. Immediately seek medical attention if a child swallows parts.
- After being dropped or impacted, the battery should not be used again.
- Place the battery away from heat sources, such as a car in direct sunlight or on a hot day, a fire or a stove.
- To prevent a battery from entering an over-discharged state, avoid storing it for extended periods of time once it has been fully discharged. If a battery is overcharged, the battery cell will be damaged and unable to be recharged.

WHAT'S INCLUDED



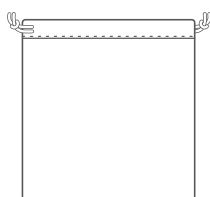
Drone x 1



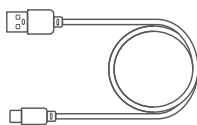
Remote x 1



Battery x 2



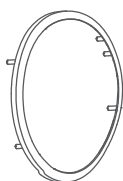
Storage Bag x 1



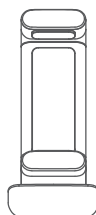
USB Cable for Charging x 1



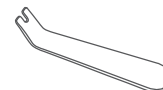
Spare Propeller
(A x 2, B x 2)



Spare Ring x 4



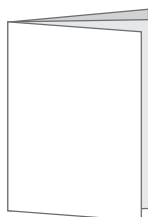
Phone Holder x 1



Removal Tool x 1



Screwdriver x 1



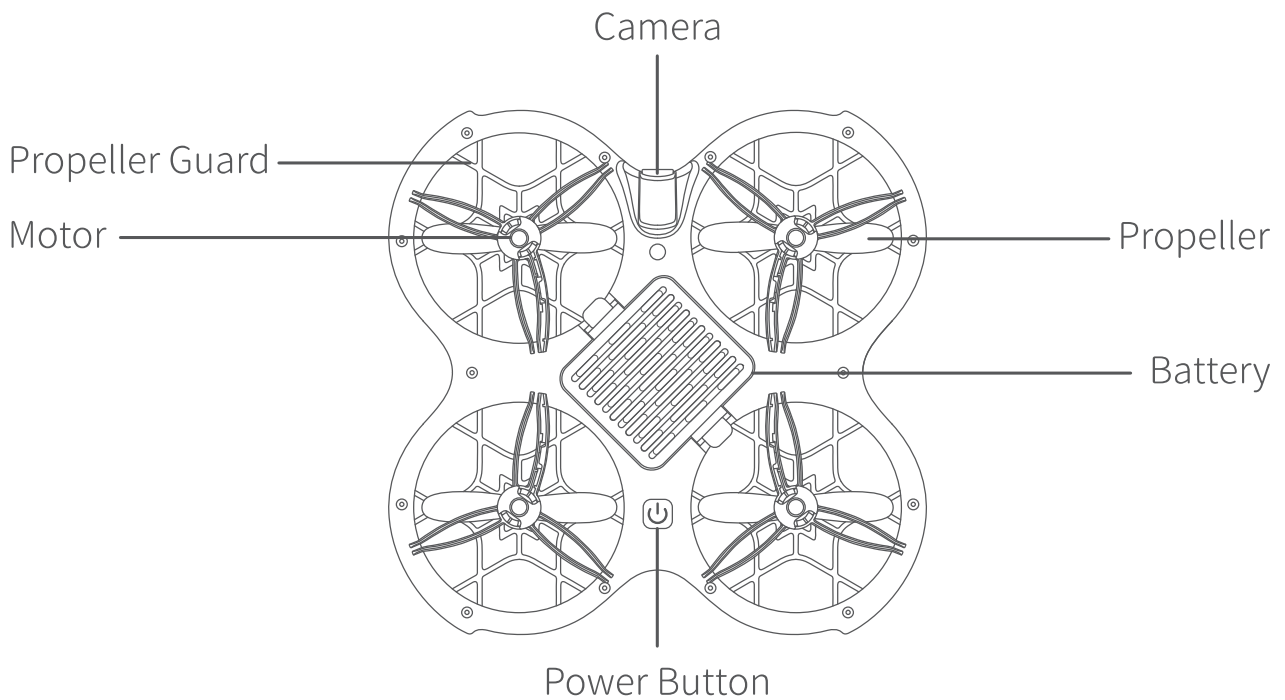
User Manual x1



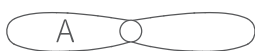
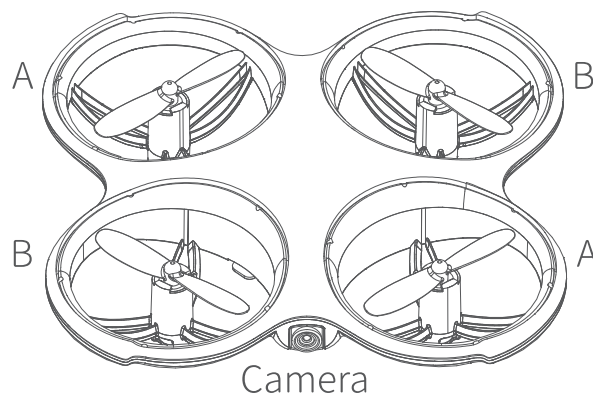
Quick Guide x 1

PRODUCT OVERVIEW

Drone



*How to Replace the Propeller Assembly (Optional)

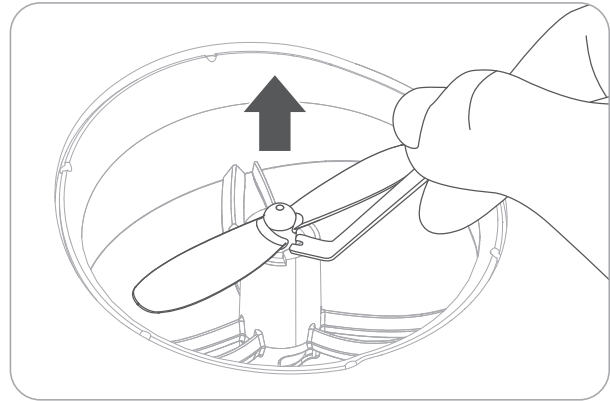


A propeller assembly



B propeller assembly

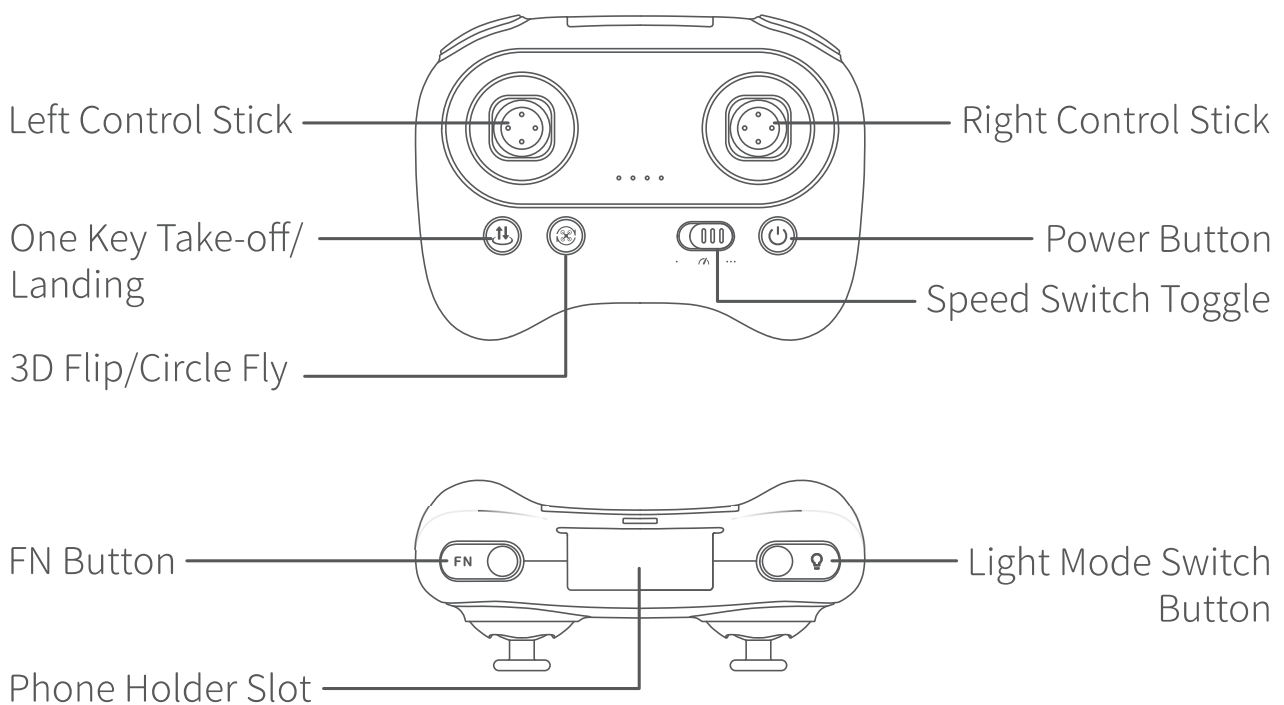
- 1 Carefully remove the propeller guard by lifting the pins one by one from the drone.
- 2 Insert the removal tool into the gap between the propeller and the motor. Gently pry the propeller upward to detach it, and then proceed to replace the propeller.
- 3 Align the pins on the propeller guard with the corresponding holes, and securely install the guard in place.



Note

You can replace propeller guards with the spare rings for longer flight time. Avoid inserting your fingers into the rotating propellers after replacement.

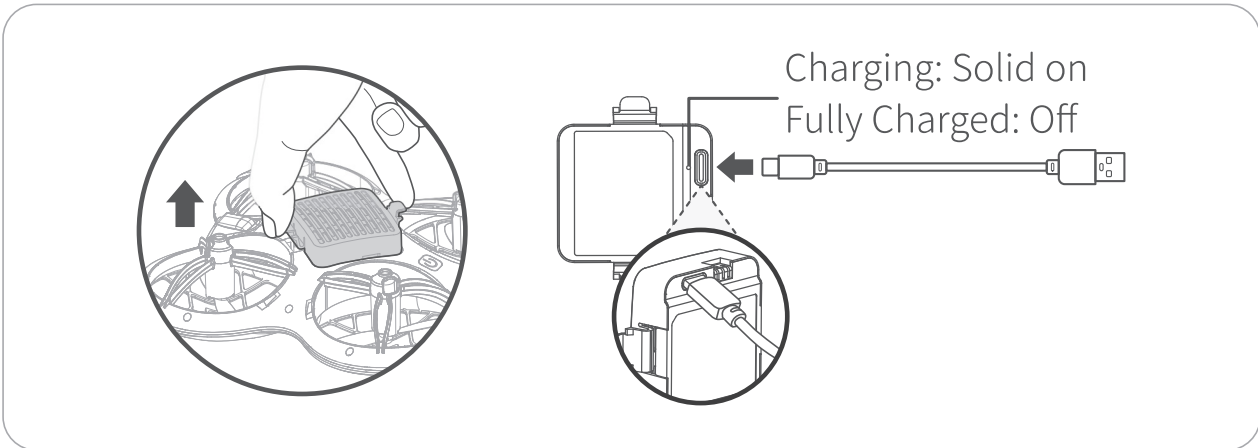
Remote



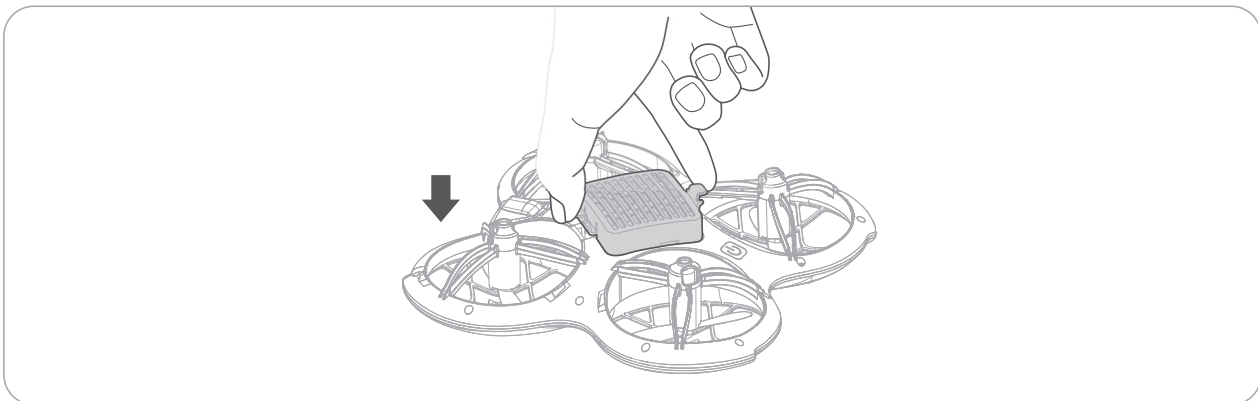
FIRST-TIME USE

Flight Preparation

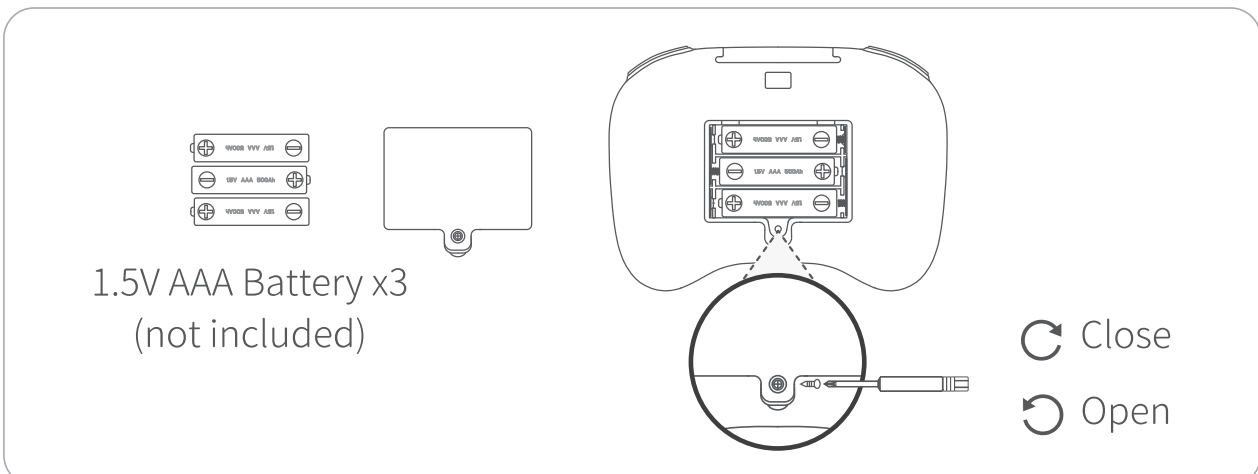
- 1 Remove the battery from the drone, then charge it with the USB charging cable provided in the box.



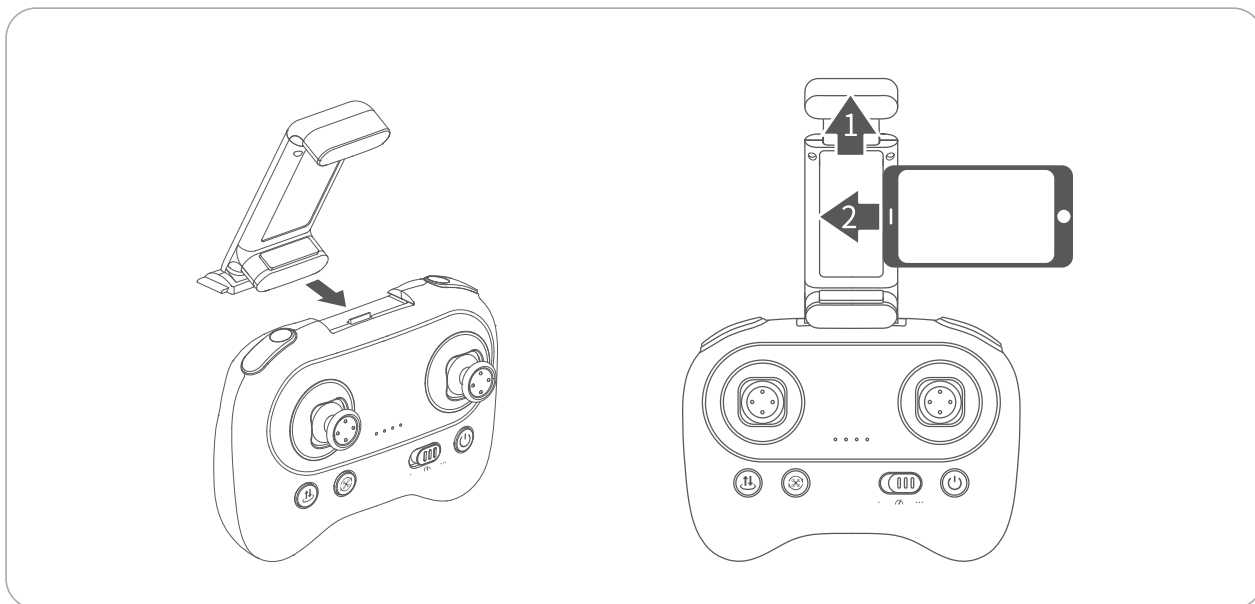
- 2 After fully charging the drone's battery, securely install it by inserting it into the drone until you hear a click sound.



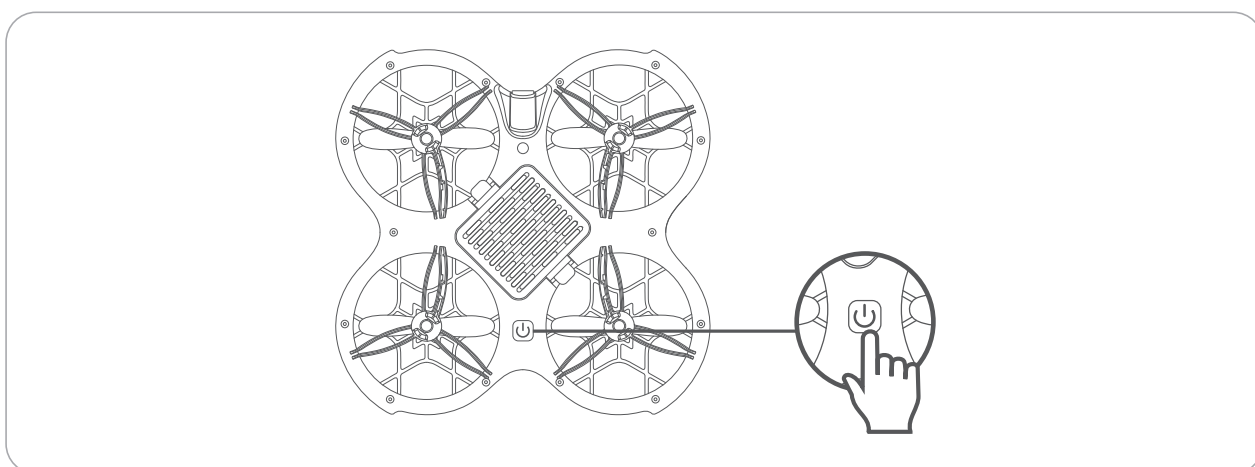
- 3 Insert 3 AAA batteries into the remote and tighten the screw.



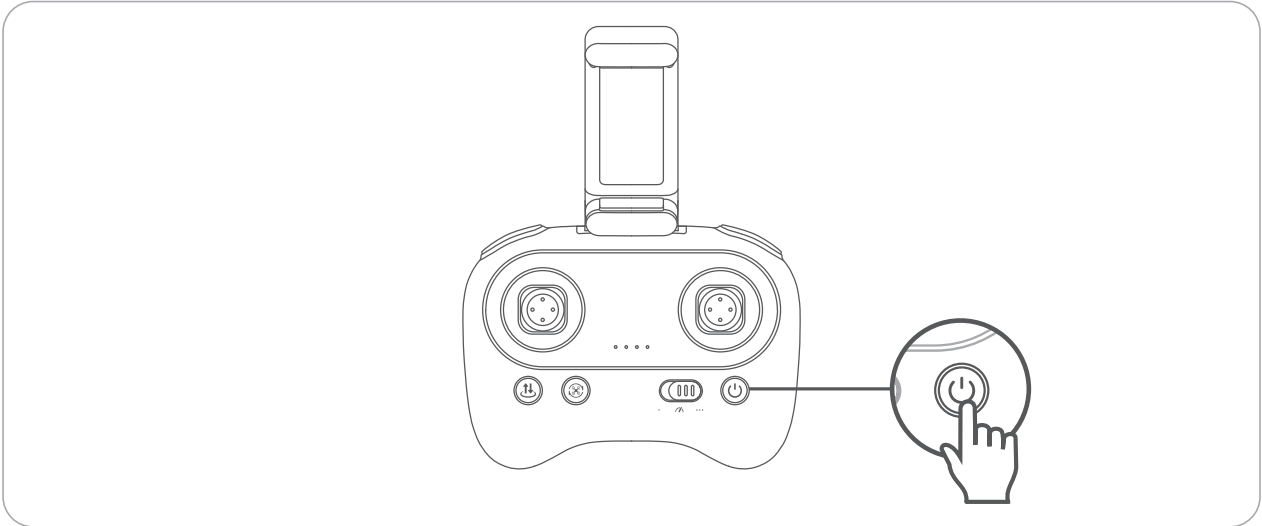
- 4 Attach the phone holder and securely place your device inside. To detach the phone holder, push the detach button on the remote downward while removing the phone holder.



- 5 Press and hold the power button for 3s on the drone to power it on, then place it on a flat and level surface.

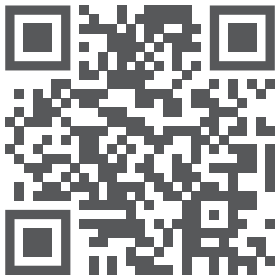


- 6 Press and hold the power button for 3s on the remote to power it on. The drone will automatically pair with the remote. If the pairing fails, power off the drone and remote, then try again.

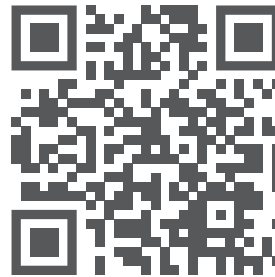


Connect the SNAPTAIN FPV App with Your Drone

- 1 Download and install SNAPTAIN FPV from Google Play™/App Store™ or scan the QR codes below.

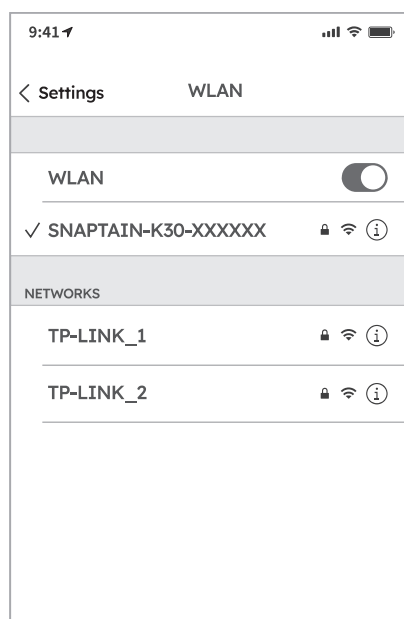


For Android 8.0 and later



For iOS 8.0 and later

- 2 Simply navigate to the WiFi setting of your mobile phone and search for SNAPTAIN-K30-XXXXXX WiFi to connect.



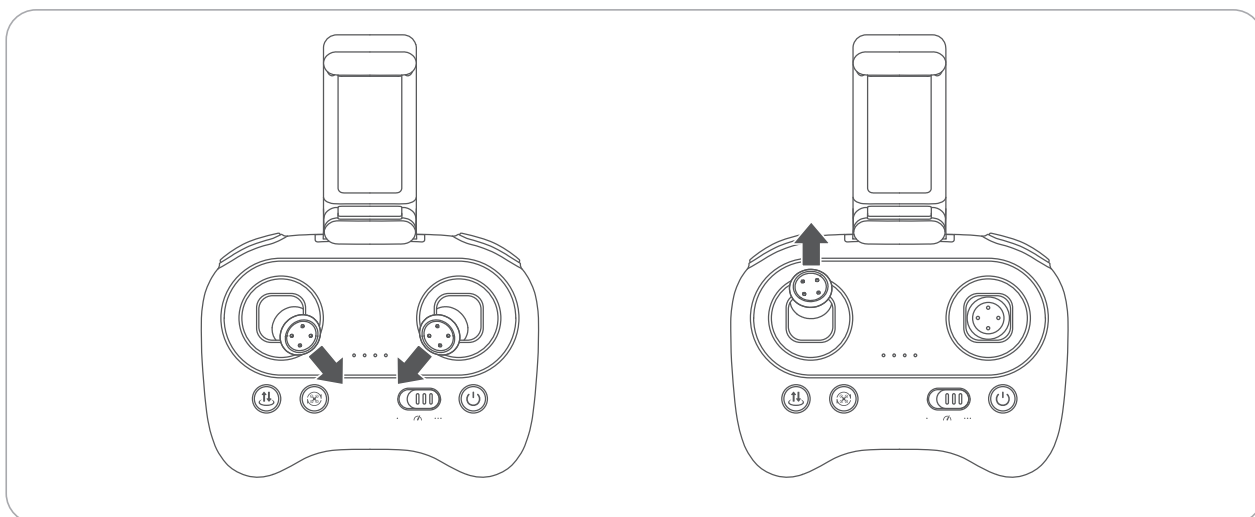
- 3 Launch the **SNAPTAIN FPV** app, then tap **FUNCTION DISPLAY** to enter the main page to see the live preview.

Flight Control

1. Take-off

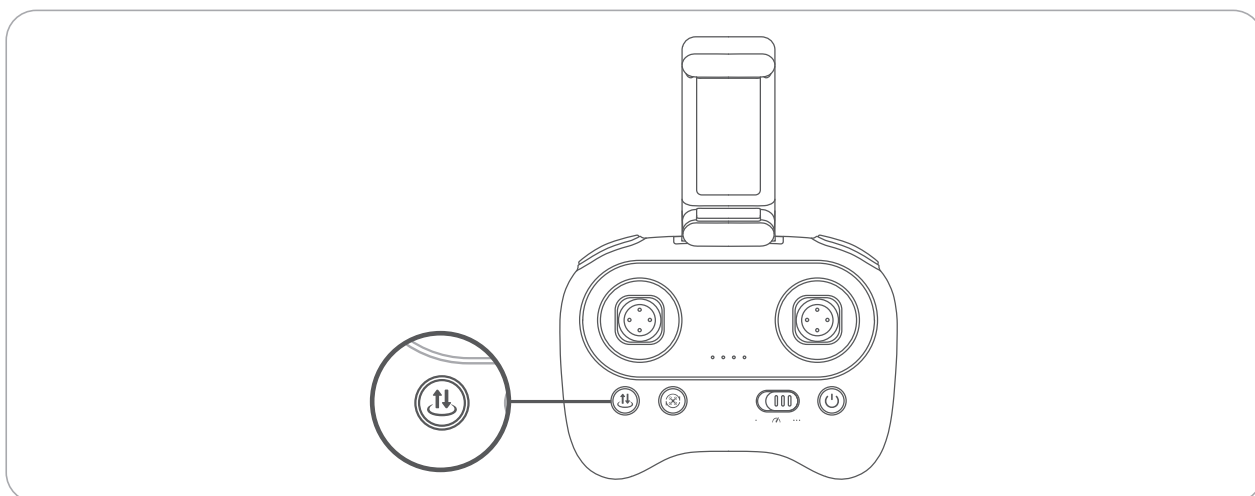
Option 1:

Unlock the drone by simultaneously pushing the **Right Control Stick** to the lower left at 45° and the **Left Control Stick** to the lower right at 45° until the 4 propellers start rotating. Then, push the **Left Control Stick** forward.



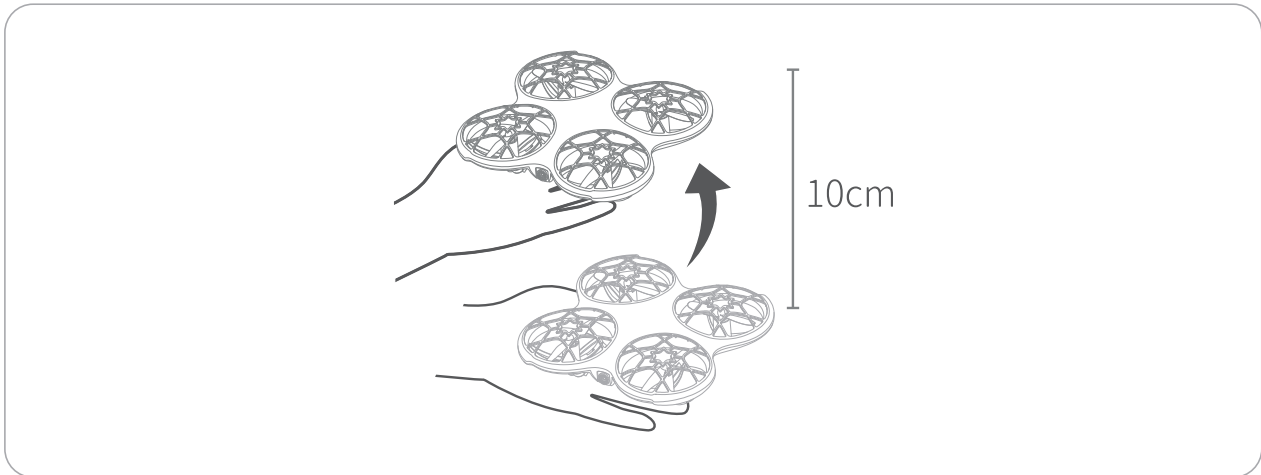
Option 2:

Press and hold the **One Key Take-off** button for 1s.




Option 3:

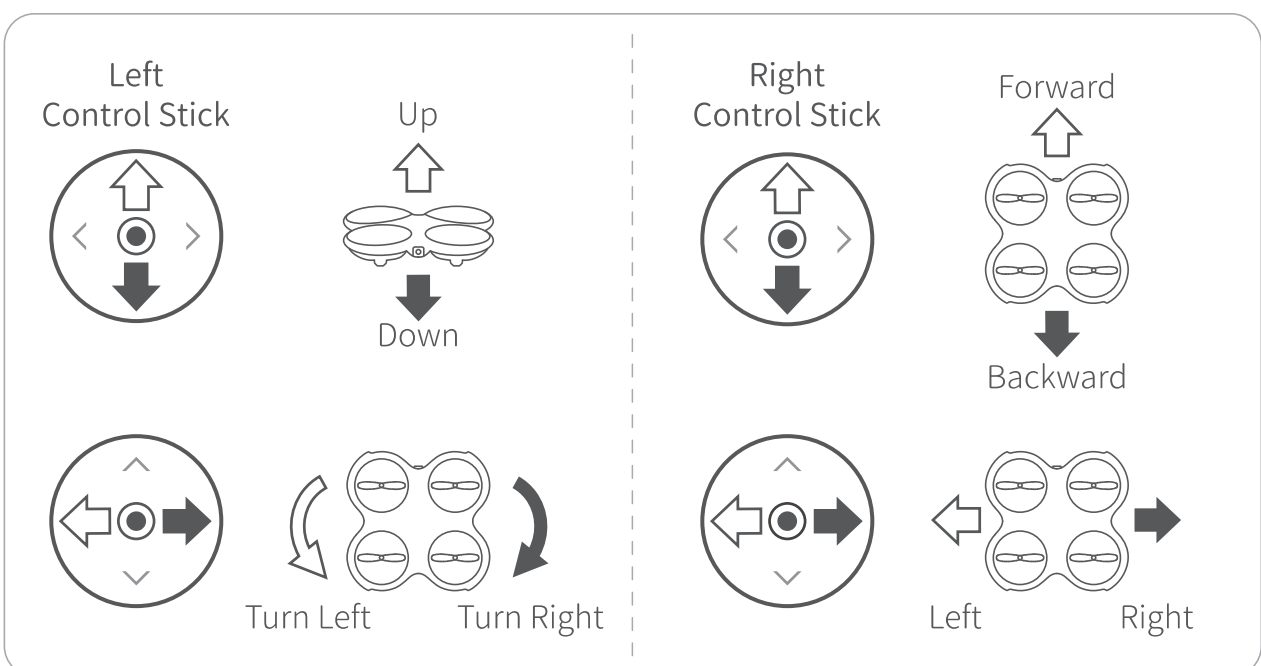
Place the drone in your palm right side up, then toss it into the air at least 10cm high.



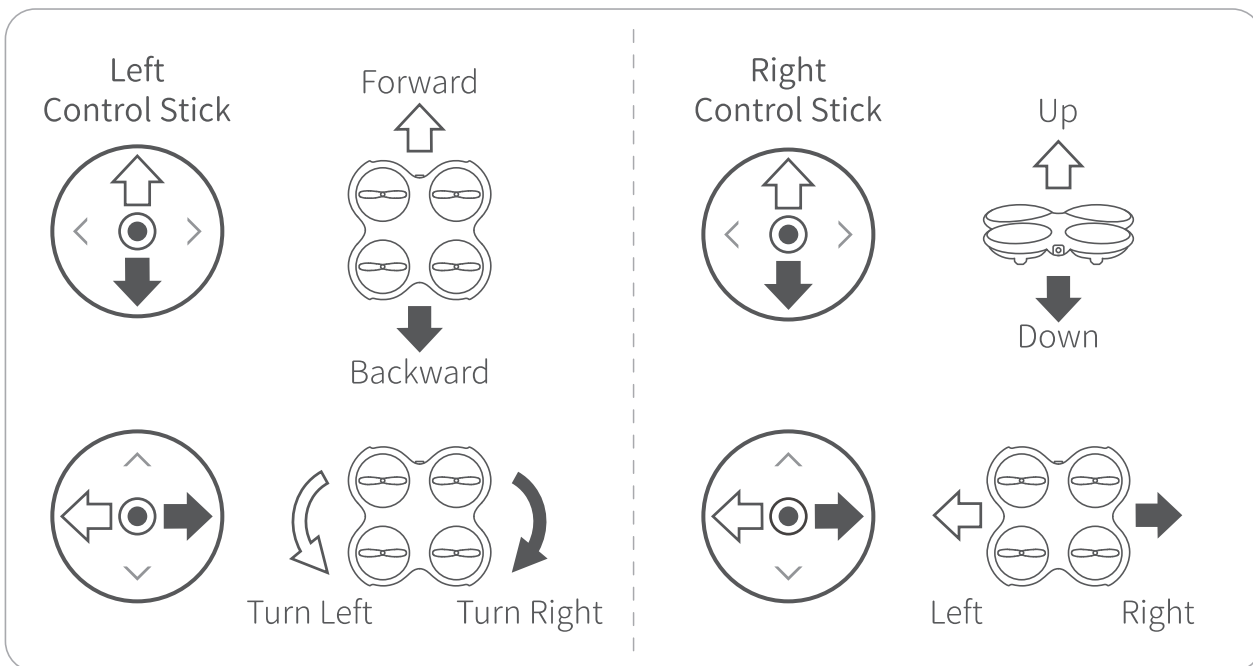
Flight Directions

The default remote mode is Mode 1 (used for manual illustration). To switch the remote mode: with the remote turned off, press and hold the **FN** button; while holding the **FN** button, press and hold the  button until the remote is turned on.

Mode 1




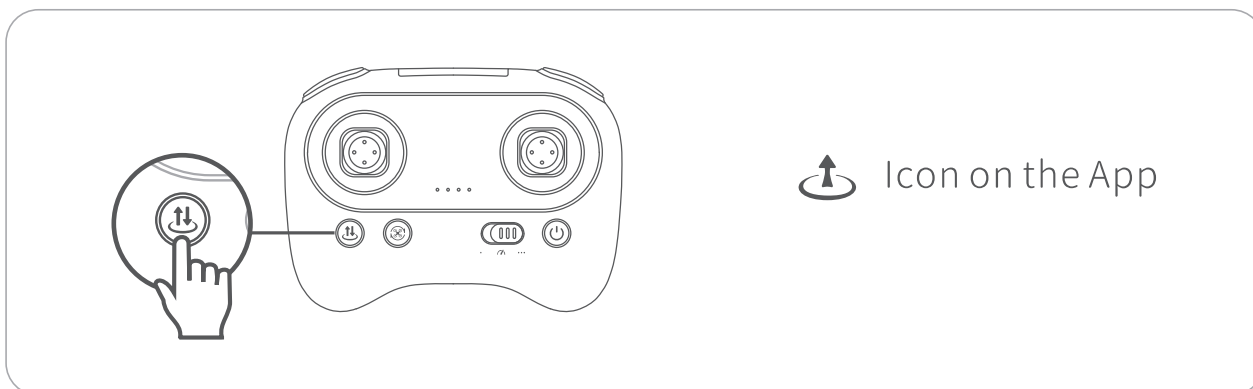
Mode 2




FUNCTIONS

One Key Take-off and Landing


* Take-off: Place the drone on a flat and level surface without any obstacles then press and hold the  button for 1s to make it ascend and hover at a height of 3.9ft (1.2m).

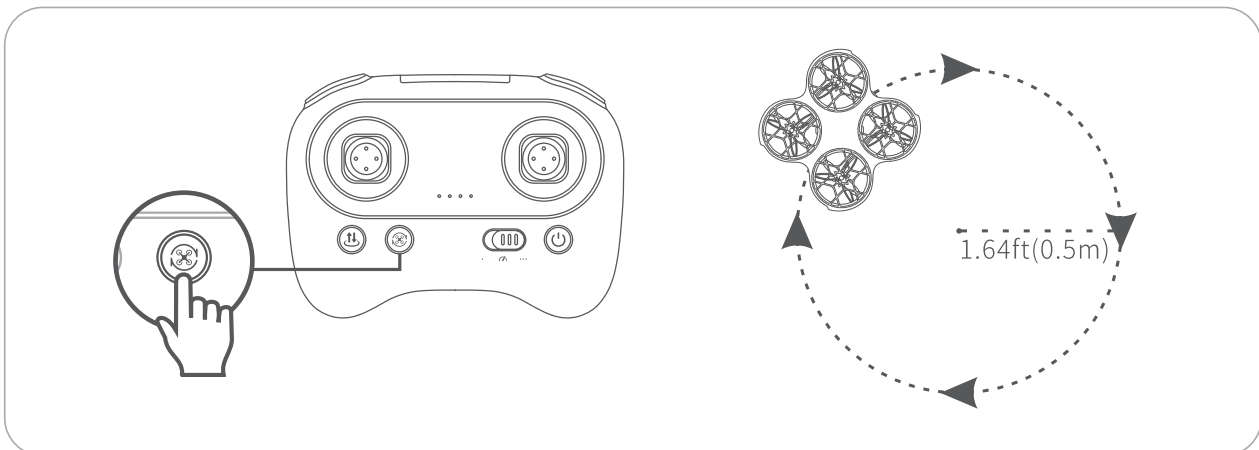



* Land: When the drone hovers in the air without any obstacles, press and hold the  button for 1s to make it descend and land until the propellers stop rotating.




Circle Fly

If there are no obstacles within a radius of 5 meters around the drone, press and hold the  button for 3s on the remote to make the drone fly in a circular pattern.

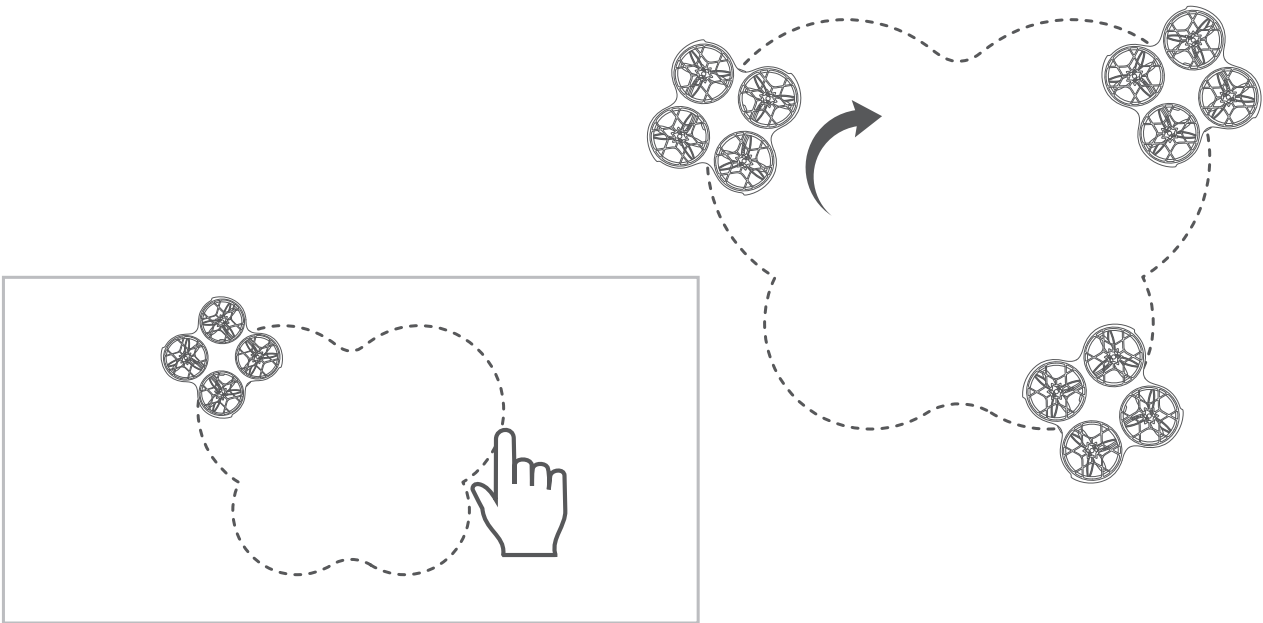


Press and hold the  button for 3s again to disable this function. To perform this function, the drone must have enough power.


Doodlefly

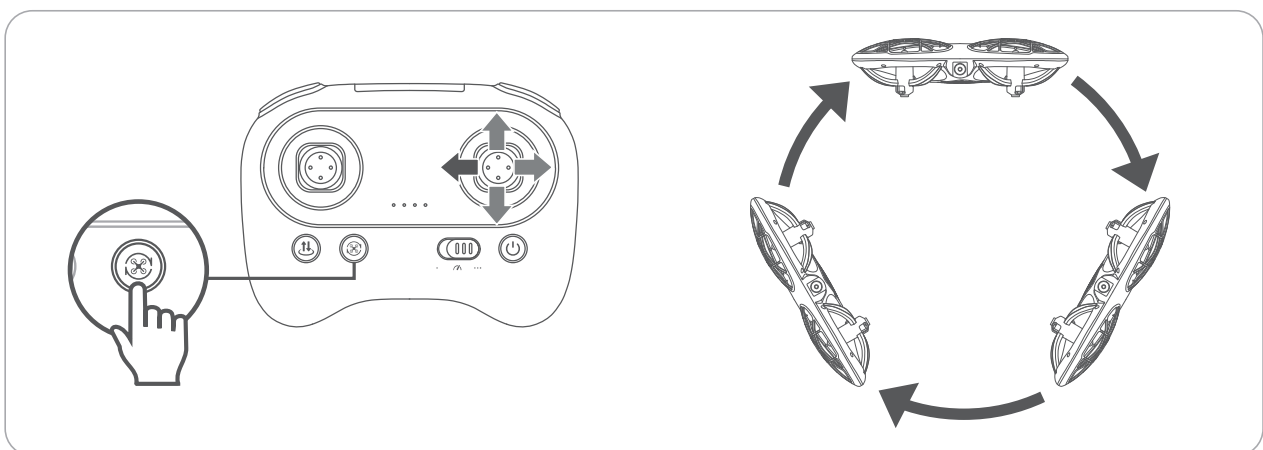
- ① Open the App and navigate to the main page.
- ② Tap on the "  " (Doodlefly) icon and adjust the scale by sliding the scale bar. The default scale is set to 1:1.
- ③ Use your finger to draw a desired flight path on the blank area of the screen.

- ④ The drone will follow the trajectory path without changing its flight height, but the length of the trajectory will vary based on the selected scale.





3D Flip

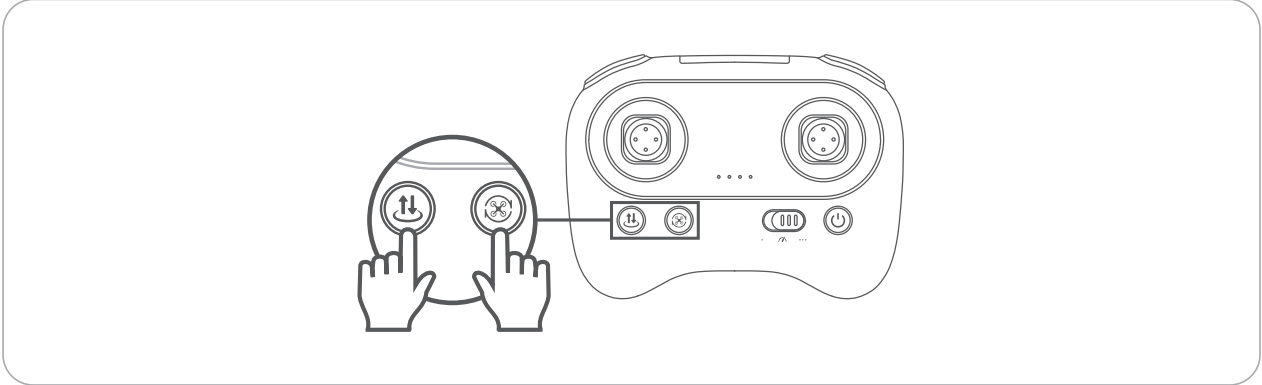
After flying the drone in an obstacle-free area, press the  button to activate the 360 flip function. Once activated, use the **Right Control Stick** to perform flips. Push the stick forward, backward, leftward, or rightward to execute a 360° flip in the corresponding direction.



To perform this function, the drone must have enough power.

Emergency Stop

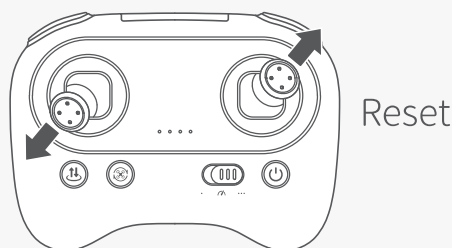
If an abnormal situation occurs, you can simultaneously press and hold the  button and  button on the remote for 3 seconds to make an emergency stop.



Please make an emergency stop when the drone's flight height is below 9.8ft (3m). If the drone's flight height is above 9.8ft (3m), carefully descend it to a height below 9.8ft (3m) before performing the emergency stop.

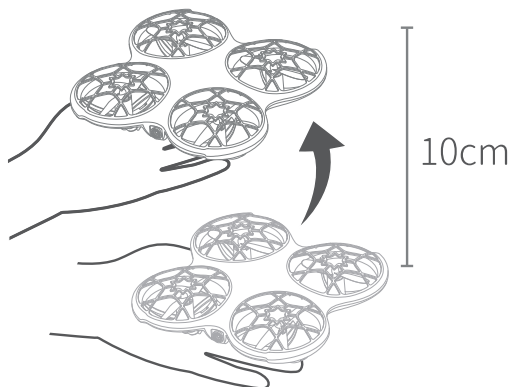
Notes

- * When this function is activated, the drone's motor and propellers will stop rotating, causing it to fall from the sky and potentially pose risks of damage. Use this function with caution.
- * After an emergency stop, if you intend to fly the drone again, please reset the drone.



Throw to Go



Place the drone in your palm right side up, then toss it into the air at least 10cm high. The drone will automatically hover in the air.

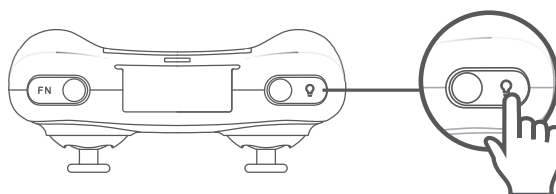


Note

If the lights on the drone flash after a failed Throw to Go, reset the drone before retrying.

Light Mode Switch

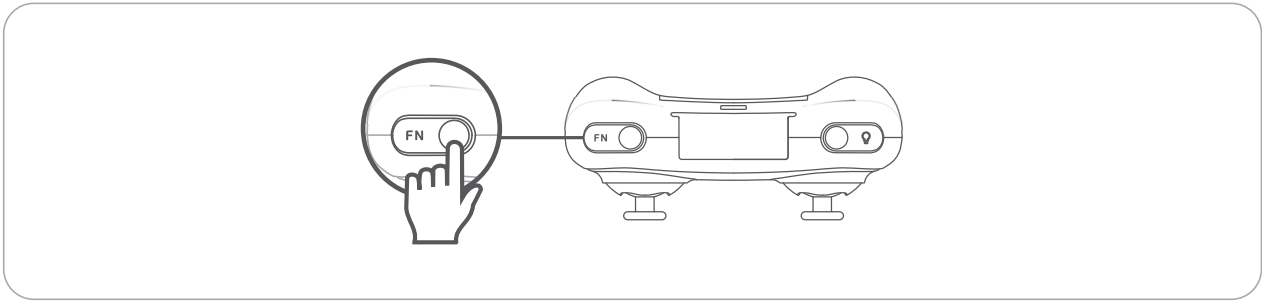
Press and hold the  button to switch between 6 different light modes. To turn off the lights, simply press and hold the  button.




FN (Custom Function)

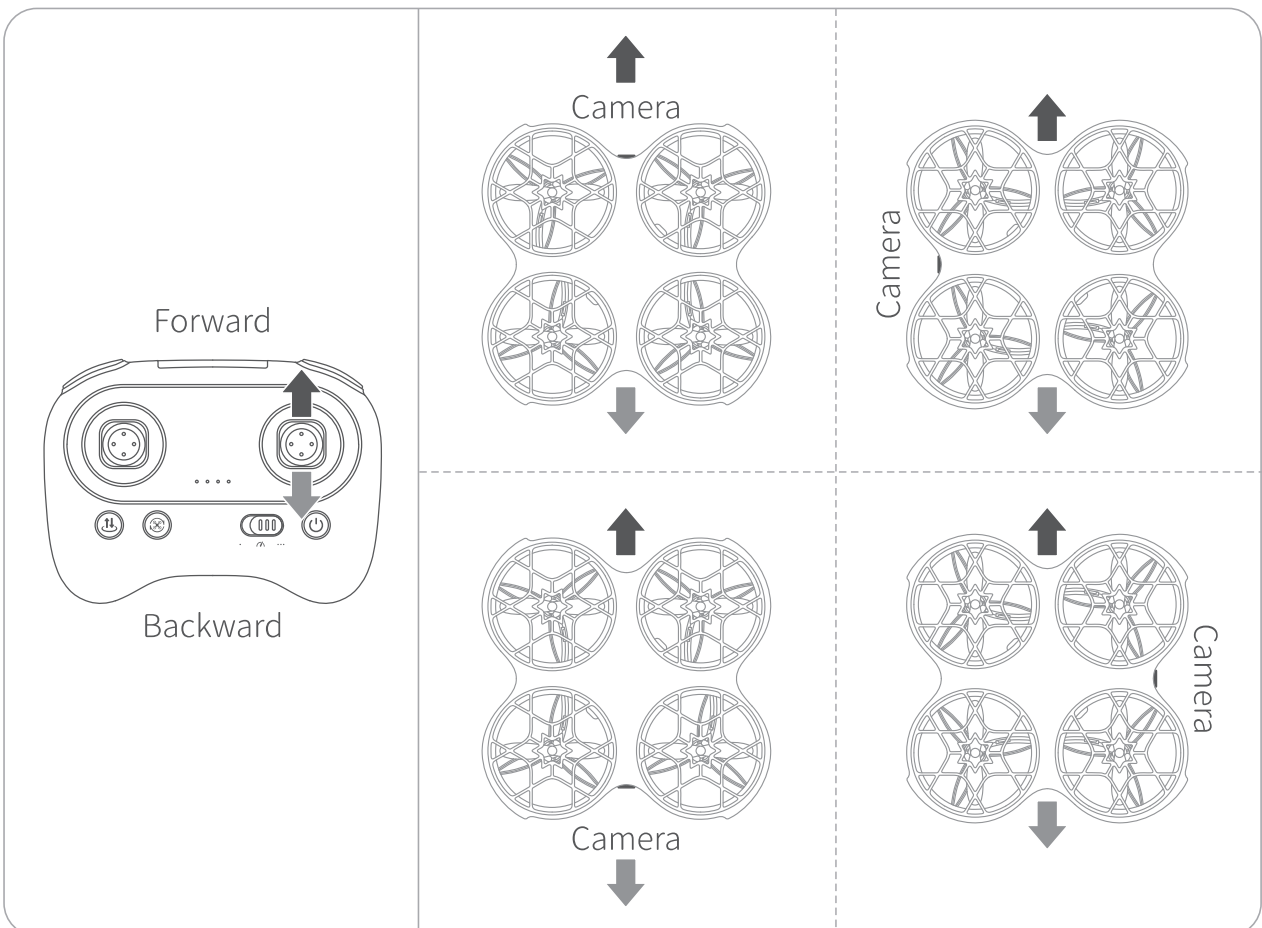
- Press the **FN** button for the first time: The drone will execute default flight actions. It is recommended to use this feature in an open area without obstacles for safety reasons.

- The drone will execute custom actions. Check the app for more details.



Headless Mode

Launch the app and tap the  button to activate this function. In this mode, the drone will fly following the direction of the **Right Control Stick** regardless of the position of your drone's head or tail.



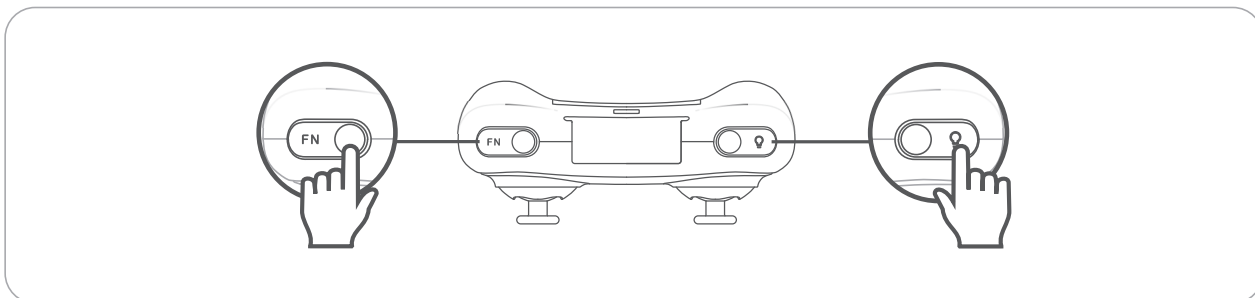
Tip:

The drone camera's orientation is its "head" position. In headless mode, the direction is defined by the drone's head orientation at takeoff.

Remembering the drone's head orientation during takeoff will help you navigate accurately in headless mode.

Find Your Drone

When the drone is accidentally lost during flight, simultaneously press and hold the **FN** button and **🔦** button on the remote for 3 seconds to try to locate it. In response, the drone will emit rapid beeps. To exit this state, you can either repeat the above operation or briefly press the Power button on the drone.



To perform this function, the drone must be connected to the remote and have enough power.

DRONE'S LIGHTS

Status	Lights
Powering on	Colorful lights light up sequentially
Pairing or disconnected	A yellow light spot rolls clockwise on the blue light strip
Reset	Lights form blue strip clockwise
Fail to execute commands or errors occur	Rapidly flash three times
Emergency Stop	Red and purple lights transition gradually
Low Battery	Lights flash slowly
Powering off	Colorful lights extinguish sequentially
Find Your Drone	Colorful lights cyclically flicker

BEEPS EXPLANATION

Status	Beeps
Powering on the drone	2 short beeps
Powering on the remote	1 short beep
Powering off the drone	1 short beep, then 1 long beep
Powering off the remote	2 short beeps
Low Battery	Constant 2 short beeps
Find Your Drone	Constant short beeps

SPECIFICATIONS

Drone

Model	DR-ST130B
Weight (with battery installed)	≈70g
Max.Flight Time (without propeller guards)	9 minutes
Operating Temperature	32°F-104°F
Dimensions	5.28*5.43*1.34 inches
Horizontal Flight Speed (no wind)	Smooth: 1.5m/s; Swift: 4m/s
Max. Flight Height	15m
Battery Capacity	3.7V 850mAh Lithium Battery
Charging Time	≈60 minutes (depending on the power of the charger)

Camera

FOV	≈60°
Photo Resolution	1280 x 720 Pixel
Video Resolution	1280x720 Pixel @20fps
Operating Frequency	2412MHz - 2472MHz
Protocol Supported	802.11b,g,n-HT20

Remote

Operating Frequency	2420- 2460GHz
Max.Operating Distance	164ft (50m)
Battery Capacity	1.5V AAA Battery x 3 (not included)
Battery Life	≈1.5 hours
Applicable Mobile Phone Size	2.3-3.6 inches
Operating Temperature	32°F-104°F

FCC Caution:

Any Changes or modifications not expressly approved by the party responsible for compliance could void the user's authority to operate the equipment.

This device complies with part 15 of the FCC Rules. Operation is subject to the following two conditions:

(1) This device may not cause harmful interference, and (2) this device must accept any interference received, including interference that may cause undesired operation.

Note: This equipment has been tested and found to comply with the limits for a Class B digital device, pursuant to part 15 of the FCC Rules. These limits are designed to provide reasonable protection against harmful interference in a residential installation. This equipment generates, uses and can radiate radio frequency energy and, if not installed and used in accordance with the instructions, may cause harmful interference to radio communications. However, there is no guarantee that interference will not occur in a particular installation. If this equipment does cause harmful interference to radio or television reception, which can be determined by turning the equipment off and on, the user is encouraged to try to correct the interference by one or more of the following measures:

- Reorient or relocate the receiving antenna.
- Increase the separation between the equipment and receiver.
- Connect the equipment into an outlet on a circuit different from that to which the receiver is connected.
- Consult the dealer or an experienced radio/TV technician for help.

For Remote:

This equipment complies with FCC radiation exposure limits set forth for an uncontrolled environment.

For R/C QUADCOPTER:

This equipment complies with FCC radiation exposure limits set forth for an uncontrolled environment .

This equipment should be installed and operated with minimum distance 20cm between the radiator& your body.

This transmitter must not be co-located or operating in conjunction with any other antenna or transmitter.

ISED Warning:

This device complies with Industry Canada licence-exempt RSS standard(s). Operation is subject to the following two conditions:

- (1) this device may not cause interference, and
- (2) this device must accept any interference, including interference that may cause undesired operation of the device.

Le présent appareil est conforme aux CNR d'Industrie Canada applicables aux appareils radio exempts de licence. L'exploitation est autorisée aux deux conditions suivantes:

- (1) l'appareil ne doit pas produire de brouillage, et
- (2) l'utilisateur de l'appareil doit accepter tout brouillage radioélectrique subi, même si le brouillage est susceptible d'en compromettre le fonctionnement.

For R/C QUADCOPTER:

The device is compliance with RF exposure guidelines, users can obtain Canadian information on RF exposure and compliance. The minimum distance from body to use the device is 20cm.

L'appareil est conforme aux directives d'exposition aux RF, les utilisateurs peuvent obtenir des informations canadiennes sur l'exposition aux RF et la conformité. La distance minimale du corps pour utiliser l'appareil est de 20cm.

For Remote:

The device is compliance with RF exposure guidelines, users can obtain Canadian information on RF exposure and compliance.

Le présent appareil est conforme Après examen de ce matériel aux conformité ou aux limites d'intensité de champ RF, les utilisateurs peuvent sur l'exposition aux radiofréquences et la conformité and compliance d'acquérir les informations correspondantes.

This transmitter must not be co-located or operating in conjunction with any other antenna or transmitter. Cet émetteur ne doit pas être colocalisé ou fonctionner en conjonction avec une autre antenne ou un autre émetteur.