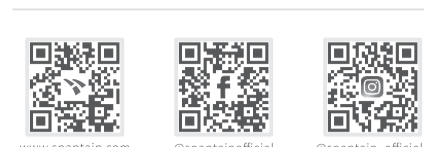


SNAPTAIN SUPPORT

US support@snaptain.com
TEL (415)991-6646(Mon-Fri)




www.snaptain.com @snaptain_official @snaptain_official

SNAPTAIN

E10/E20

FOLDABLE DRONE

14"



USER MANUAL

Please read this manual carefully before flying and keep it for future use.

VI.03

EN

For your safety, please follow the rules and safety guidelines whether you're a beginner or an expert at flying drones.

- According to the relevant laws and regulations in US, all drones must be registered, except those that weigh 0.55 pounds or less (less than 250 grams) and do not fly exclusively under the Exception for Recreational Flyers. Please log in to the website of <https://faa.gov/registration> to complete the registration.
- To meet the electromagnetic requirements of aviation on the radio band, the drone must be at least 6.21 miles (10km) on both sides of the runway centerline, or within 12.43 miles (20km) of both ends of the runway. It is also prohibited to fly a drone on the route of an airline. In the areas that is prohibited to fly, you will not be responsible for any losses, penalties and injuries caused by illegal flights.
- To meet the electromagnetic requirements of aviation on the radio band, the drone must be at least 6.21 miles (10km) on both sides of the runway centerline, or within 12.43 miles (20km) of both ends of the runway. It is also prohibited to fly a drone on the route of an airline. In the areas that is prohibited to fly, you will not be responsible for any losses, penalties and injuries caused by illegal flights.
- Please download the BAUFLY App from Google Play or App Store, which provides real-time information about airspace restrictions and other flying requirements based on your GPS location.
- Beginning September 16, 2023, all drone pilots who are required to register their UAVs must operate in accordance with the rules on Remote ID.

ENGLISH

— AIM HIGH FLY HIGH —

Thank you for choosing our product and putting your trust into us. Contact us via email at support@snaptain.com or call us at (415)991-6646 (Mon-Fri). You have quality products, performance and good service.

We hope our products will make flying a whole new experience for you! Please read the manual carefully for the best use of your product.

CONTENTS

- IMPORTANT SAFETY PRECAUTIONS..... 03
- FAQ INDEX..... 02
- BATTERY SAFETY..... 04
- WHAT'S INCLUDED..... 05
- PRODUCT OVERVIEW..... 06
- Drone..... 06
- Remote..... 08
- FIRST-TIME USE..... 11
- Flight Preparation..... 11
- Connect the SNAPTAIN FPV App with Your Drone..... 16
- Age Downloading and installation..... 17
- Function Overview..... 17
- Flight Control..... 17
- Functions..... 19
- Camera..... 23
- Age Downloading and installation..... 25
- EXPLANATIONS OF DRONE'S LED INDICATORS..... 26
- BEEPS EXPLANATION..... 26
- SPECIFICATIONS..... 27
- Drone..... 27
- Camera..... 28
- Remote..... 29
- USB Charging Cable..... 29

EN



Fly in Open Areas



Maintain Line of Sight



Maximum Flight Altitude (Height is about 243m (80m))

Avoid flying over or near obstacles, crowds, high-voltage power lines, trees, airports, or water areas. DO NOT fly near strong electromagnetic sources such as power lines and base stations as they may affect the onboard compass.

Do not use the drone in adverse weather conditions such as rain, snow, and fog. It is adjustable to operate in a windless environment.

Stay away from the rotating propellers and motors. No Fly Zone.

For your safety and that of those people around you, it's important to understand basic flight guidelines. Before flying, make sure you read the safety precautions.

01 | support@snaptain.com

EN

BATTERY SAFETY

RISK OF EXPLOSION BATTERY IS REPLACED BY AN INCORRECT TYPE

DISPOSE OF USED BATTERIES ACCORDING TO THE INSTRUCTIONS. BATTERY MUST BE RECYCLED OR DISPOSED OF PROPERLY

*Under no circumstances should the battery touch any liquids. Avoid using the battery in rainy or wet conditions, as it may catch fire or explode unexpectedly.

*It is not allowed to use batteries that are not provided by the manufacturer. Additionally, it is advisable to use the package included USB charging cable for charging the batteries.

*Batteries that are swollen, leaking, or damaged are strictly forbidden.

*It is recommended to use the battery between 14°F, 32°F and 104°F (5°C, 0°C and 40°C). Overheating may lead to a fire or explosion. A battery's performance can be adversely affected by extremely low temperatures.

*Do not insert or puncture the battery with any sharp object.

*Battery liquid is highly corrosive, so stay away if it leaks. If skin or eyes are contacted, wash immediately with plenty of water and seek medical attention.

*Please keep the battery out of children's reach. Immediately seek medical attention if a child swallows parts.

*After being dropped or impacted, the battery should not be used again.

*Place the battery away from heat sources, such as a car's engine compartment or on hot day, or in a stove.

*To prevent a battery from entering an over-discharged state, avoid storing it for extended periods of time once it has been fully discharged. If a battery is overcharged, the battery cell will be damaged and unable to be recharged.

04 | support@snaptain.com

EN

IMPORTANT SAFETY PRECAUTIONS

This drone can pose a danger when in use. When flying, make sure that you keep it away from other people. Improper installation, poor conditions, or unfamiliar users may damage the drone, cause injury, or lead to an unexpected accident. Make sure that you pay close attention to flying safety, and learn how to identify more dangerous conditions that may cause an accident due to your negligence.

- Avoid crowds and structures** There may be uncertainty about the drone's flight state and speed while in flight, which can cause potential danger. When flying, keep your drone far away from crowds, buildings, trees, structures, high-voltage wires, etc. Flying should also be avoided in adverse weather conditions such as rain, storms, and high winds to ensure the safety of the user, spectators, and property around the site.
- Avoid moist environments** Drones are made up of a variety of precision electronic and mechanical components. As a result, please make sure that moisture and water do not enter the drone. This can prevent mechanical or electronic parts from malfunctioning and thus causing an accident.
- Only use the included parts for intended use** For any maintenance or repairs, please use the original parts provided by SNAPTAIN. You should only use and operate the product in accordance with its permitted functions. The warranty will be voided if you apply unapproved parts. Use only within the scope of your local laws and regulations, and NOT for illegal purposes.

01 | support@snaptain.com

EN

- 4. Avoid controlling the drone alone** It may be difficult for beginners to operate this drone at the beginning. Please avoid flying the drone alone. When possible, operate this drone under the supervision of an experienced pilot.
- 5. Fly safely** Fly this drone in accordance with your state and flying skill. There is an increased probability of accidents if a person is fatigued, has a poor mental state, or operates incautiously.
- 6. Stay away from the rotating parts** You should keep the drone away from you and any surrounding persons or objects when flying it at high speed.
- 7. Keep it away from heat sources** Make sure to fly the drone in an open area without any interference or obstacles. Avoid flying near metal, fire, plastic, electronics, etc. Avoid prolonged exposure to direct sunlight and keep it away from any heat source. Excessive heat exposure can cause distortion and damage.

FLY SAFELY

FPV Transmission requirements:

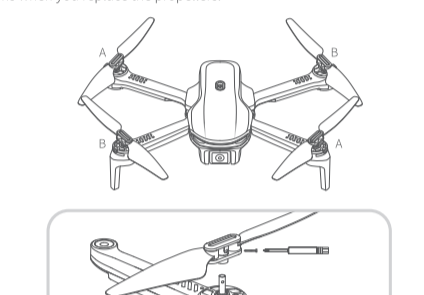
- *Make sure to fly the drone in an open area without any interference or obstacles.
- *Do not fly against the wind.

02 | support@snaptain.com

EN

*How to Replace the Propeller Assembly(Optional)

The marks on the propeller (A/B) should match the marks on the drone arms when you replace the propellers.



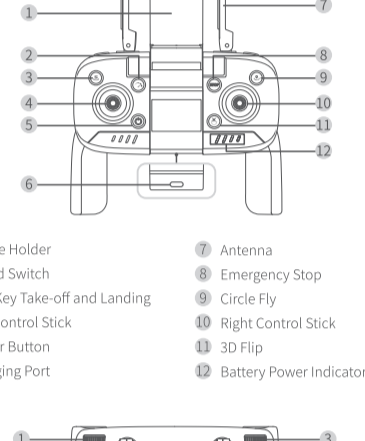
A propeller assembly: Starting with letter A, like R1, R2, etc.

B propeller assembly: Starting with letter B, like R1, R2, etc.

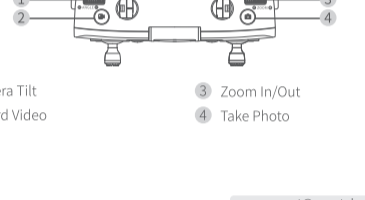
07 | support@snaptain.com

EN

REMOTE



- Phone Holder
- Speed Switch
- One Key Take-off and Landing
- Left Control Stick
- Power Button
- Charging Port
- Antenna
- Emergency Stop
- Cyclic Fly
- Right Control Stick
- 3D Flip
- Battery Power Indicators



- Camera Tilt
- Record Video
- Zoom In/Out
- Take Photo

04 | support@snaptain.com

EN

The product is an easily operated and simple-to-use drone for beginners. It is made up of a variety of precision electronic and mechanical components, and it is equipped with a built-in GPS, a high-precision positioning system and can fly both indoors and outdoors. It has a maximum flight time of 18 minutes, suitable for short distance flights. To operate it, you will need a remote controller or app. Please refer to the user manual for more detailed instructions on flying the drone.

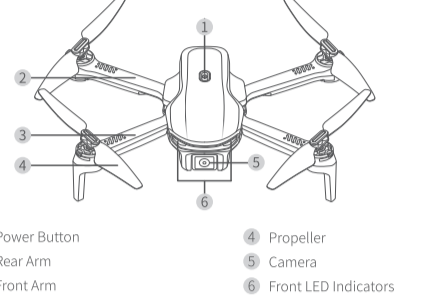
WHAT'S INCLUDED

- Drone x1
- Battery x2
- Remote x1
- Spare Propeller Assembly x2
- Screwdriver x1
- Screws
- Carrying Bag x1
- User Manual x1
- Quick Guide x2
- USB Charging Cable x1

05 | support@snaptain.com

EN

PRODUCT OVERVIEW



- Power Button
- Rear Arm
- Front Arm
- Propeller
- Camera
- Flare LED Indicators
- Memory Card Slot
- Battery
- Optical Flow Sensor
- Rear LED Indicator

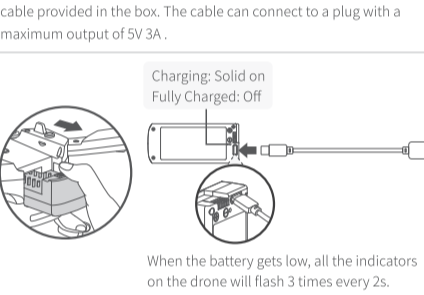
04 | support@snaptain.com

EN

FIRST-TIME USE

Flight Preparation

- The propellers and arms of the drone are folded for packaging purposes. Please unfold the front arms, then the rear arms.
- Remove the battery from the drone, then charge it with the USB charging cable provided in the box. The cable can connect to a plug with a maximum output of 5V 3A.



Charging: Solid on Fully Charged: Off

When the battery gets low, all the indicators on the drone will flash 3 times every 2s.

11 | support@snaptain.com

EN

Notes:

- It's not recommended to charge the battery using the USB port of a PC.
- Please note that when flying in low-temperature environments, the flight time of the drone may be reduced.

- Install the battery into the drone after it's fully charged.
- Insert a memory card into the drone's memory slot. Memory cards must be purchased separately. However, you can still use the drone's camera even if a memory card is not inserted, although the resulting videos and pictures may not be in high-definition quality.

* Support up to 32GB
* Support FAT32 and exFAT formats.

12 | support@snaptain.com

EN

Speed Switch: Press this button to toggle between different speed levels.

One Key Take-off and Landing: Place the drone on a flat and level surface, then press and hold this button for 1 second to make it ascend and hover at a height of 3.9ft (1.2m). When the drone is hovering, press and hold this button for 1 second to make it descend and land until the propellers stop rotating.

Left Control Stick: Push this stick to make the drone ascend, descend, rotate leftward and rotate rightward.

Power Button: Press and hold it for 3 seconds to power on the drone; press and hold it for 3 seconds again to power off the drone.

Emergency Stop: If an abnormal situation occurs when the drone is below 32.8ft (10m), you can press and hold this button for 3 seconds to make an emergency stop. When this function is activated, the drone's motor and propellers will stop rotating, causing it to fall from the sky and potentially pose risks of damage. Use this function with caution.

Note

This function is not available when the drone's height is over 32.8ft (10m).

Cyclic Fly: Press this button to enable this function; press it again to disable this function.

Right Control Stick: Push this stick to control the directions of the drone.

10 | support@snaptain.com

EN

3D Flip: Press this button to enable this function, then push the right control stick to flip the drone.

Battery Power Indicators: Displays the remote's battery status. Each indicator represents 25% power.

Camera Tilt: Push this gear forward or backward to tilt the camera.

Record Video: Press this button to start recording a video; press it again to stop the recording and save the video to both your mobile phone & memory card.

Zoom In/Out: Push this gear forward or backward to adjust the lens focus.

Take Photo: Press this button to take photos and save to both your mobile phone & memory card.

13 | support@snaptain.com

EN

- Place the drone on a flat and level surface, then press and hold the power button for 3s on the drone to power it on.
- Press and hold the power button for 3s on the remote to power it on. The drone will automatically pair with the remote. If the pairing is failed, please repeat the step 2 and step 1.

* Pairing: All the indicators on the drone quickly flash 3 times.

* Successfully Paired: All the indicators on the drone turn solid on.

13 | support@snaptain.com

EN

Connect the SNAPTAIN FPV App with Your Drone

Step 1: Download and install SNAPTAIN FPV from Google Play™/App Store™ or scan the QR codes below.



For Android 8.0 and later



For iOS 8.0 and later

Step 2: Simply navigate to the WiFi setting of your mobile phone and search for SNAPTAIN EXO XXXX WiFi to connect.

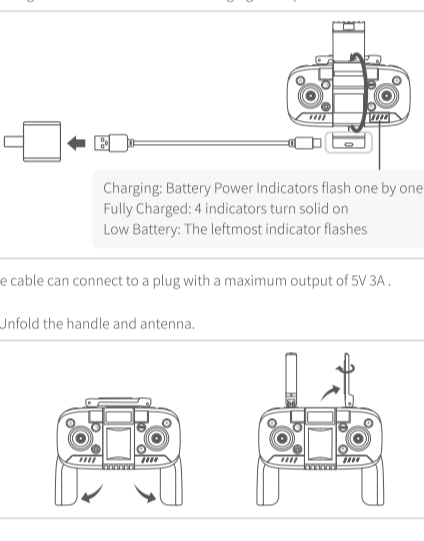


Step 3: Launch the SNAPTAIN FPV app, then tap **FUNCTION DISPLAY** to enter the main page to see the live preview.

14 | support@snaptain.com

EN

- Charge the remote with the USB charging cable provided in the box.
- Unfold the handle and antenna.



13 | support@snaptain.com

EN

- Unfold the phone holder to mount your mobile phone. Remove PHONE CASE before mounting to prevent your phone from dropping off.
- Please remove the protective film on the lens before flying.

Note

The phone holder can accommodate smartphones with a width ranging from 1.71 inches (43mm) to 3.3 inches (83mm).

14 | support@snaptain.com

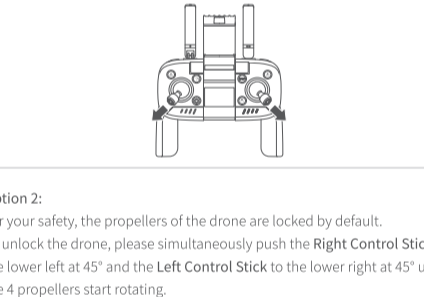
EN

FUNCTION OVERVIEW

Flight Control

- Unlock the drone**

Option 1: For your safety, the propellers of the drone are locked by default. To unlock the drone, please simultaneously push the **Left Control Stick** to the lower left at 45° and the **Right Control Stick** to the lower right at 45° until the 4 propellers start rotating.



Option 2: For your safety, the propellers of the drone are locked by default. To activate the 3D flip function, please simultaneously push the **Right Control Stick** to the lower left at 45° and the **Left Control Stick** to the lower right at 45° until the 4 propellers start rotating.

17 | support@snaptain.com

EN

Flight Directions

Left Control Stick

| |
|---|
| Push the Left Control Stick forward and the drone will ascend, pull it backward and the drone will descend. |
| Push the Left Control Stick leftward and the drone will rotate to the left; pull it rightward and the drone will rotate to the right. |

Emergency Stop

If an abnormal situation occurs when the drone is below 32.8ft (10m), you can press and hold this button for 3 seconds to make an emergency stop. When this function is activated, the drone's motor and propellers will stop rotating, causing it to fall from the sky and potentially pose risks of damage. Use this function with caution.

Note

This function is not available when the drone's height is over 32.8ft (10m).

21 | support@snaptain.com

EN

Right Control Stick

Push the Right Control Stick forward and the drone will fly forward; pull it backward and the drone will fly backward.

Push the Right Control Stick leftward and the drone will fly leftward; pull it rightward and the drone will fly rightward.

Functions

One Key Take-off and Landing

* Take-off: Place the drone on a flat and level surface without any obstacles, then press this button to make it ascend and hover at a height of 3.9ft (1.2m).

* Landing: Press this button to make it descend and hover at a height of 3.9ft (1.2m) until the propellers stop rotating.

Icon on the App

19 | support@snaptain.com

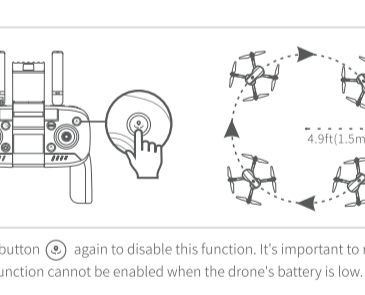
EN

* Land: When the drone hovers in the air without any obstacles, press this button to make it descend and land until the propellers stop rotating.

Icon on the App

Cyclic Fly

If there are no obstacles within a radius of 5 meters around the drone, press the **Left Control Stick** button on the remote control to make the drone fly in a circular pattern.



Press the **Left Control Stick** button again to disable this function. It's important to note that this function cannot be enabled when the drone's battery is low.

20 | support@snaptain.com

EN

Please make an emergency stop when the drone's flight height is below 3.9ft (1.2m). If the drone's flight height is above 3.9ft (1.2m), carefully descend it to a height below 3.9ft (1.2m) before performing the emergency stop.

Find Your Drone

When the drone is accidentally lost during flight, press and hold the buttons **Left Control Stick** for 3 seconds to try to locate it. In response, the drone will emit a rapid beep and flash for one minute.

Note

To perform this function, the drone must be connected to the remote and have enough power.

Camera

Press the **Left Control Stick** button on the remote or **Left Control Stick** on the App to take a photo. When taking a photo, the indicators on the drone will flash once and a shutter sound will be heard.

23 | support@snaptain.com

EN

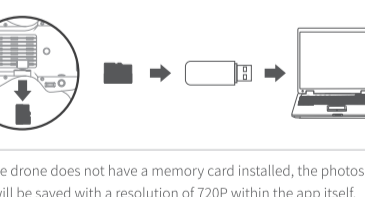
Press the **Left Control Stick** button on the remote or **Left Control Stick** on the App to start recording a video. Press the **Left Control Stick** button on the remote or **Left Control Stick** on the App again to stop recording. The video will be saved both on your mobile phone and the memory card. *Please note that the drone cannot capture photos when it is in recording mode.

Icon on the App

How to check the videos and photos?

Option 1: Check the videos and photos within the App's album.

Option 2: Remove the memory card from the drone, then connect it to a computer using a card reader.



*When the drone does not have a memory card installed, the photos and videos will be saved with a resolution of 720P within the app itself.

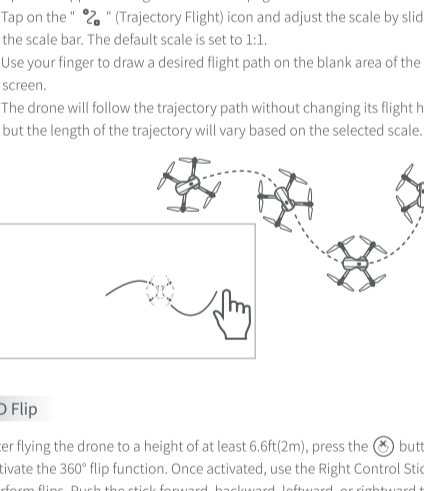
24 | support@snaptain.com

EN

Trajectory Flight

- Open the App and navigate to the main page.
- Tap on the **Trajectory** icon to enter the trajectory setting page. The default scale is set to 1:1.
- Use your finger to draw a desired flight path on the blank area of the screen.

The drone will follow the trajectory path without changing its flight height, but the length of the trajectory will vary based on the selected scale.



3D Flip

After flying the drone to a height of at least 6.6ft (2m), press the **Right Control Stick** button to activate the 3D flip function. Once activated, use the **Right Control Stick** to perform flips. Push the stick forward, backward, leftward, or rightward to execute a 360° flip in the corresponding direction.

21 | support@snaptain.com

EN

Please note that this function cannot be enabled when the drone's battery is low. After executing this function, if the rear LED indicator flashes, it indicates that the drone's battery is low.

Note

This function is not available when the drone's height is over 32.8ft (10m).

22 | support@snaptain.com

EN

| Status | Beep(s) |
|-------------------------|---------------------------|
| Low Battery | 2 short beeps every 2s |
| Find Your Drone | 1 short beep for 1 minute |
| Powering on the remote | 3 short beeps |
| Powering off the remote | 2 short beeps |
| Emergency Stop | 6 short beeps |

SPECIFICATIONS

Drone

| | |
|-------------------------------------|--|
| Model | E10/E20 |
| Weight(with battery installed) | 181g |
| Max. Flight Time | 18 minutes |
| Operating Temperature | 32°F -104°F(0° -40°C) |
| Dimensions | 10.75x11.92x2.2inches/ 27.3x30.2x5.6cm(justfolded), 5.8x5.8x2.2inches/ 14.2x8.9x5.6cm(folded) |
| Flight Speed(at sea level, forward) | 3m/s, 5m/s and 8m/s |

27 | support@snaptain.com

EN

| | |
|-----------------------|---|
| Wind Speed Resistance | 5m/s level 2) |
| Battery Capacity | 3.7V 2000mAh Lithium Battery |
| Charging Time | ~4 hours(depending on the power of the charger) |

Camera

| | |
|---------------------|--|
| FOV | ~90° |
| Photo Resolution | E10: 1920 × 1080 pixel E20: 2576 × 1480 pixel (App's Album and Memory Card) |
| Video Resolution | E10: 1280 × 720@30fps(App's Album) 1080 × 1080@30fps(Memory Card) E20: 1920 × 720@30fps(App's Album) 2576 × 1480@30fps(Memory Card) |
| Photo Format | JPG |
| Video Format | MPEG |
| Memory Card Type | 32G to 128G SD Card(Class 10/U1 and above); FAT32 and exFAT formats supported. |
| Operating Frequency | 5.15-5.25 GHz, 5.725-5.825 GHz |

28 | support@snaptain.com

EN

App Downloading and Installation

Step 1: Download and install SNAPTAIN FPV from Google Play™/App Store™ or scan the QR codes below.



For Android 8.0 and later



For iOS 8.0 and later

Step 2: Simply navigate to the WiFi setting of your mobile phone and search for SNAPTAIN EXO XXXX WiFi to connect.



Step 3: Launch the SNAPTAIN FPV app, then tap **FUNCTION DISPLAY** to enter the main page to see the live preview.

25 | support@snaptain.com

EN

EXPLANATIONS OF DRONE'S LED INDICATORS

| Status | Front LED Indicators (Blue) | Rear Indicator(Green) |
|-----------------------|-----------------------------|----------------------------|
| Powering on (Pulsing) | Pulsing | Pulsing |
| Pairing | Quickly flash 3 times | Quickly flash 3 times |
| During Flight | Solid on | Solid on |
| Reset | Quickly flash 5 times | Quickly flash 5 times |
| Low Battery | Flash 3 times every 2s | Flash 3 times every 2s |
| Find Your Drone | Quickly flash for 1 minute | Quickly flash for 1 minute |
| Powered off | Off | Off |

BEEPS EXPLANATION

| Status | Beep(s) |
|-------------------------------|--------------------------------|
| Powering on the drone | 2 short beeps |
| Powering off the drone | 1 short beep, then 1 long beep |
| Command executed successfully | 1 short beep |

24 | support@snaptain.com

EN

FCU/FCU001PFA

This document complies with CE marking requirements. Users can obtain CE certification for their products and accessories. The intention of this document is to provide information for the user. The user should read this document carefully before using the product. The user should also read the user manual and other documents provided with the product. The user should keep this document for future reference. The user should also keep this document in a safe place for future reference.

The user should read this document carefully before using the product. The user should also read the user manual and other documents provided with the product. The user should keep this document for future reference. The user should also keep this document in a safe place for future reference.

31 | support@snaptain.com

EN

FCC COMPLIANCE

This document complies with FCC marking requirements. Users can obtain FCC certification for their products and accessories. The intention of this document is to provide information for the user. The user should read this document carefully before using the product. The user should also read the user manual and other documents provided with the product. The user should keep this document for future reference. The user should also keep this document in a safe place for future reference.

The user should read this document carefully before using the product. The user should also read the user manual and other documents provided with the product. The user should keep this document for future reference. The user should also keep this document in a safe place for future reference.

32 | support@snaptain.com

EN

| Remote | |
|------------------------------|-------------------------------|
| Operating Frequency | 2.412-2.472 MHz |
| Maximum Operating Distance | 4020ft(50mi) |
| Max. Capacity | 3 to 200mAh Lithium Batteries |
| Charging Time | ~4 hours |
| Battery Life | ~18 hours |
| Applicable Mobile Phone Size | 4.7-5.8 inches |
| Operating Temperature | 32°F -104°F(0° -40°C) |

USB Charging Cable

| | |
|----------------------|-----------------------|
| Charging Temperature | 32°F -104°F(0° -40°C) |
| Input Voltage | 5V/2A |
| Rated Power | <10W |

29 | support@snaptain.com

EN

FCC Caution:

Any changes or modifications not expressly approved by the party responsible for compliance could void the user's authority to operate this equipment.

This device complies with Part 15 of the FCC Rules. Operation is subject to the following two conditions: (1) This device may not cause harmful interference, and (2) this device must accept any interference that may be received, including interference from licensed radio services.

Note: This equipment has been tested and found to comply with the requirements for Class B digital devices. The use of shielded cables for connections to external devices is recommended for optimal performance. The user should use the shielded cables provided with the equipment. The user should also use the shielded cables provided with the equipment. The user should also use the shielded cables provided with the equipment. The user should also use the shielded cables provided with the equipment.

The user should read this document carefully before using the product. The user should also read the user manual and other documents provided with the product. The user should keep this document for future reference. The user should also keep this document in a safe place for future reference.

30 | support@snaptain.com