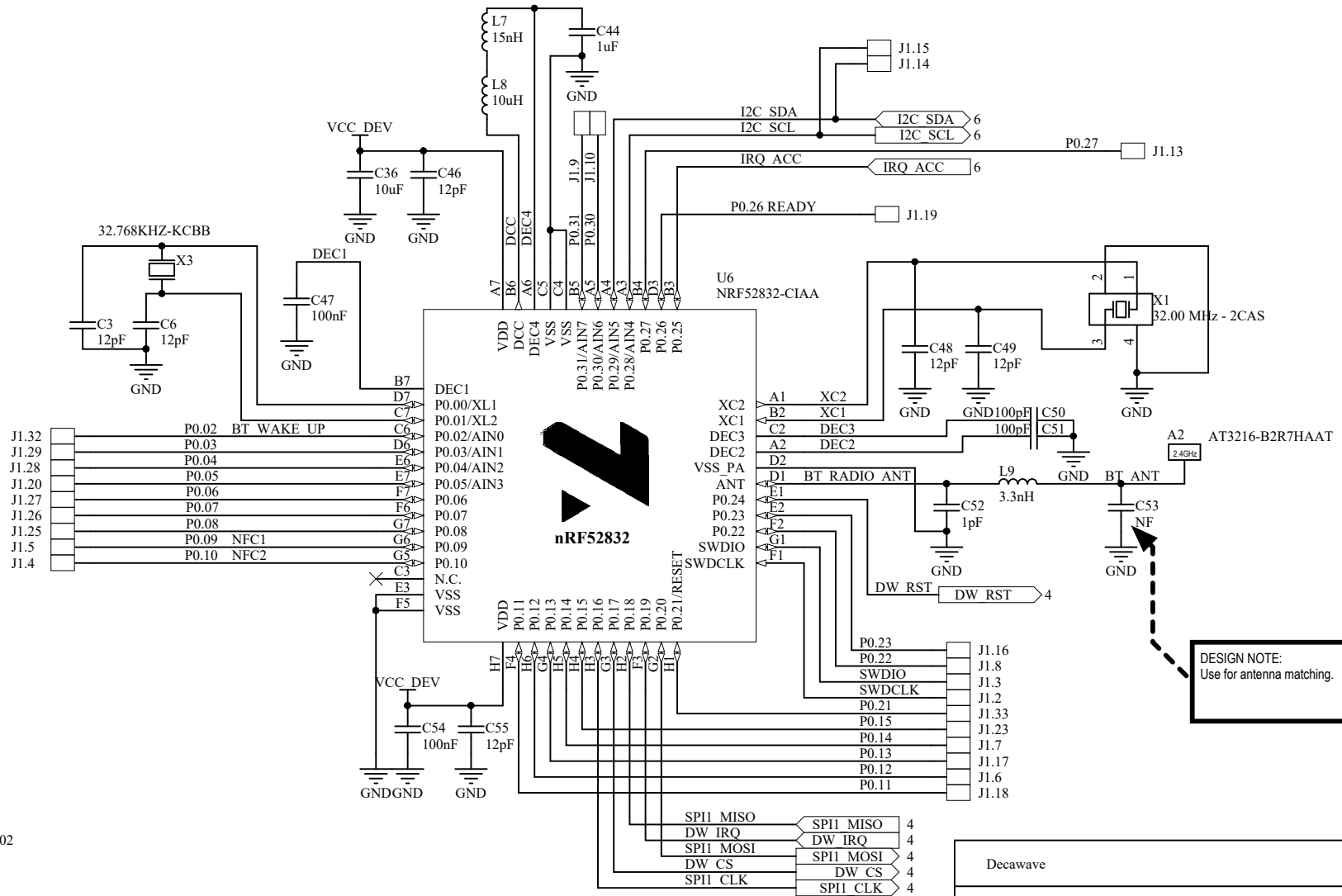
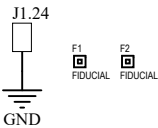
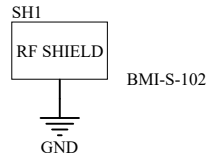


Core MCU

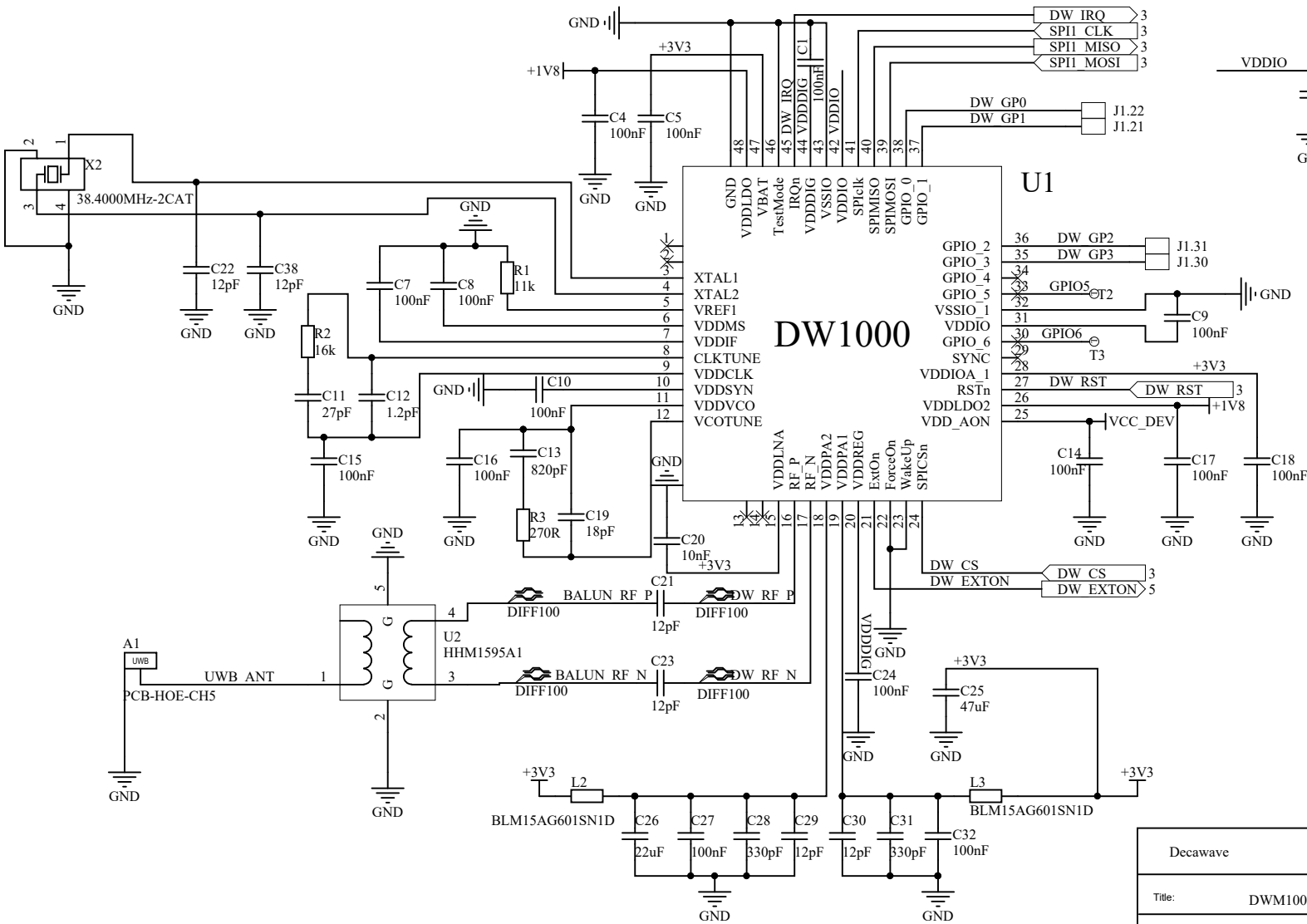


DESIGN NOTE:
Use for antenna matching.

Decawave			
Title: DWM1001			
Page Contents: [03] - CORE MCU.SchDoc			
Size: A4	DWG NO	Revision: D1.21	
Date: 07-SEP-2018	Sheet 3 of 7		



DW1000

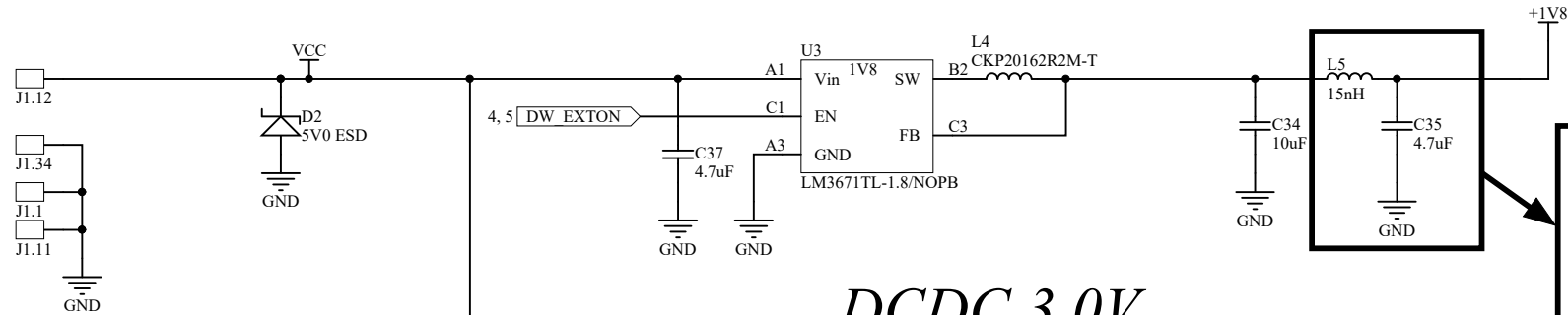


DESIGN NOTE:
 Use test point for high voltage OTP programming
 Vmin 3.7V Vmax 3.9V

Decawave		
Title: DWM1001		
Page Contents: [04] - DW radio.SchDoc		
Size: A4	DWG NO	Revision: D1.21
Date: 07-SEP-2018	Sheet 4 of 7	

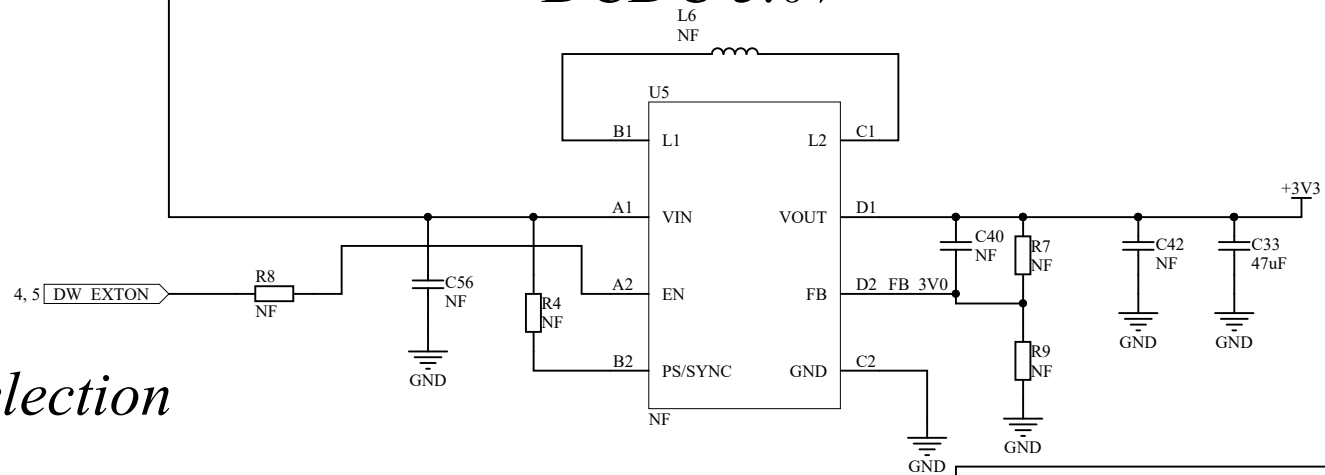
Power supply

DCDC 1.8V

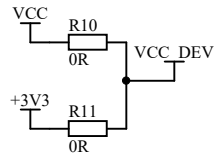


DESIGN NOTE:
 F=2.25Mhz, VconvRipple=60mV,
 VmaxRipple=5mV
<http://www.aimtec.com/site/Aimtec/files/documents/ApplicationNotes/a016e%20-%20reduction%20of%20output%20ripple%20&%20noise.pdf>

DCDC 3.0V



Power supply selection

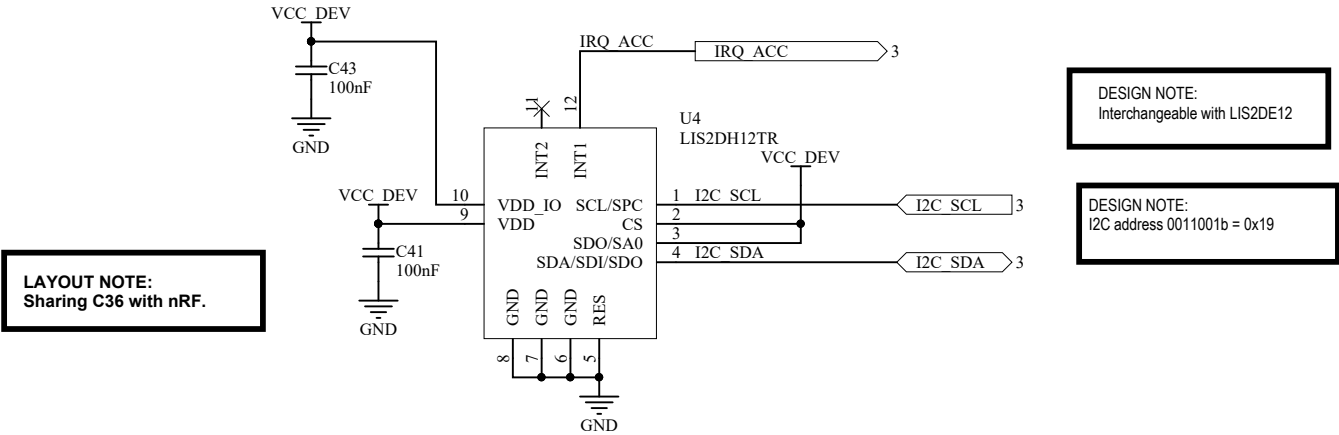


Decawave		
Title: DWM1001		
Page Contents: [05] - Power supply.SchDoc		
Size: A4	DWG NO	Revision: D1.21
Date: 07-SEP-2018	Sheet 5 of 7	

I2C/SPI devices

LIS2DH12

3-Axes Accelerometer



Decawave			
Title:		DWM1001	
Page Contents:		[06] - SPI I2C devices.SchDoc	
Size: A4	DWG NO		Revision: D1.21
Date:	07-SEP-2018	Sheet 6 of 7	