

ROGERS LABS, INC.

4405 West 259th Terrace
Louisburg, KS 66053
Phone / Fax (913) 837-3214

Class 2 Permissive Change Engineering Test Report

Model: MUR1LVUFL

2402-2480 MHz

47CFR 15C (15.247)

**License Exempt Intentional Radiator
Spread Spectrum Transmitter Module**

FCC ID: 2AQ2Q-MUR1LVUFL

Cargt Inc.

9753 Widmer Road
Lenexa, KS 66215

Test Date: March 24, 2020

Certifying Engineer: *Scot D. Rogers*
Scot D. Rogers
Rogers Labs, Inc.
4405 West 259th Terrace
Louisburg, KS 66053
Telephone/Facsimile: (913) 837-3214

This report shall not be reproduced except in full, without the written approval of the laboratory.
This report must not be used by the client to claim product certification, approval, or endorsement by NVLAP, NIST, or any agency of the U.S. Government.

| | | |
|---------------------------|---------------------------------------|-------------------------|
| Rogers Labs, Inc. | Cargt, Inc. | S/N: ENG1 |
| 4405 W. 259th Terrace | Model: MUR1LVUFL | FCC ID: 2AQ2Q-MUR1LVUFL |
| Louisburg, KS 66053 | Test: 200324 | |
| Phone/Fax: (913) 837-3214 | Test to: CFR47 15C | Date: June 7, 2020 |
| Revision 1 | File: Cargt MUR1LVUFL DSS C2PC 200324 | Page 1 of 20 |

Table of Contents

| | |
|---|-----------|
| TABLE OF CONTENTS..... | 2 |
| REVISIONS..... | 3 |
| FOREWORD..... | 4 |
| OPINION / INTERPRETATION OF RESULTS | 4 |
| CHANGE TO EQUIPMENT FROM ORIGINAL DESIGN..... | 4 |
| EQUIPMENT TESTED..... | 5 |
| EQUIPMENT FUNCTION AND CONFIGURATION..... | 5 |
| Equipment Configuration..... | 5 |
| APPLICATION FOR CERTIFICATION..... | 6 |
| APPLICABLE STANDARDS & TEST PROCEDURES | 7 |
| EQUIPMENT TESTING PROCEDURES | 7 |
| Radiated Emission Test Procedure..... | 7 |
| Diagram 1 Test arrangement for radiated emissions | 8 |
| Diagram 2 Test arrangement for radiated emissions tested on Open Area Test Site (OATS)..... | 9 |
| TEST SITE LOCATIONS | 9 |
| UNITS OF MEASUREMENTS | 10 |
| ENVIRONMENTAL CONDITIONS..... | 10 |
| STATEMENT OF MODIFICATIONS AND DEVIATIONS | 10 |
| INTENTIONAL RADIATORS..... | 10 |
| Restricted Bands of Operation..... | 10 |
| Table 1 Harmonic Radiated Emissions in Restricted Bands Emissions (Worst-case)..... | 11 |
| Summary of Results for Radiated Emissions in Restricted Bands | 12 |

Operation in the 2400-2483.5 MHz Frequency Band.....12

Transmitter Emissions Data.....13

Table 1 Transmitter Radiated Emissions (DSS mode Worst-case)13

Summary of Results for Transmitter Radiated Emissions of Intentional Radiator14

STATEMENT OF MODIFICATIONS AND DEVIATIONS 14

ANNEX..... 15

Annex A Measurement Uncertainty Calculations.....16

Annex B Test Equipment.....17

Annex C Rogers Qualifications19

Annex D Rogers Labs Certificate of Accreditation20

Revisions

Revision 1 Issued June 7, 2020

Foreword

The following information is submitted as documentation of compliance with regulations supporting Class 2 Permissible Change of Authorized Equipment. This product was authorized under Digital transmission system equipment per 47 CFR Paragraph 15.247 operating in the 2402–2480 MHz frequency band. The design was originally Granted as a module incorporating an integral antenna. The original product authorization remains intact and this report documents using the module with a u.fl connected Low-Profile Dual-Band Wi-Fi Antenna. This inverted F-Type monopole antenna provides 3.5 dBi Gain across the 2.4-2.5 GHz frequency band and 5 dBi gain across the 5.1-5.9 GHz band. The antenna would be permanently attached to the module in a finished product. This construction will comply with the unique antenna port connector under 15.203. This Class 2 Permissible Change request documents and supports demonstration of compliance when using the associated external antenna. The product remains electrically identical as no modifications to the product were performed or required.

Name of Applicant: Cargt Inc.
 9753 Widmer Road
 Lenexa, KS 66215

Model: MUR1LVUFL
 FCC ID: 2AQ2Q-MUR1LVUFL

Opinion / Interpretation of Results

| Tests Performed | Results |
|--------------------|----------|
| Radiated Emissions | Complies |

Change to Equipment from Original Design

This request addresses use with the Low-Profile Dual-Band Wi-Fi Antenna provided by PCTEL model WLP245802UFL. The information contained in this report addresses radiated emissions measured when using the MUR1LVUFL and WLP245802UFL mounted on a flat panel. No modification in the transmitter circuitry was required or performed. The transmitter remains electrically identical and functionally equivalent to the original equipment authorization. This report presets worst-case emissions when operating in DSS mode across the 2402-2480 MHz band frequency.

Equipment Tested

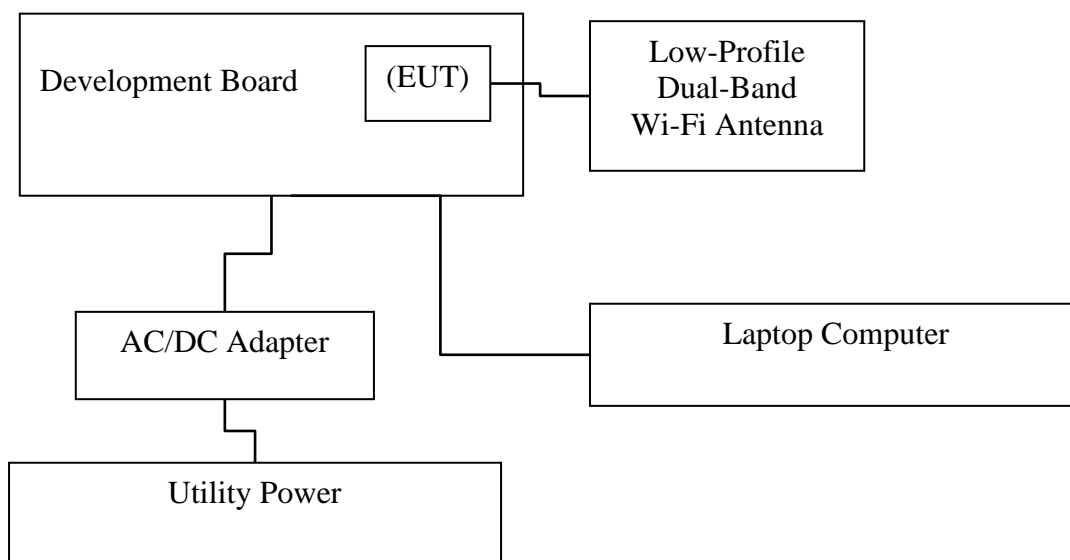
| <u>Equipment</u> | <u>Model</u> | <u>Serial Number</u> | <u>FCC I.D.</u> |
|------------------|--------------|----------------------|-----------------|
| EUT | MUR1LVUFL | EUT1 | 2AQ2Q-MUR1LVUFL |
| Antenna | WLP245802UFL | N/A | |
| Laptop computer | Dell E6520 | 6CB35Q1 | |

Test results in this report relate only to the items tested.

Equipment Function and Configuration

The EUT is a 2402-2480 MHz Spread Spectrum Transmitter Module. The design provides operational capabilities across the 2402-2480 MHz Digital Transmissions System. The EUT provides broadband wireless connectivity to transmit and receive data. The design requires direct current power provided by the host support system. For testing purposes, the EUT was mounted on a supporting development board providing the EUT with power and USB interface port for communicating and controlling the module. The USB communication provided testing personnel the ability to set channel and operational modes using laptop computer. As requested by the manufacturer the equipment was tested for emissions compliance using the available configuration with the worst-case data presented. Test results in this report relate only to the products described in this report.

Equipment Configuration



Application for Certification

- (1) Manufacturer: Cargt Inc.
9753 Widmer Road
Lenexa, KS 66215
- (2) Identification: Model: MUR1LVUFL
FCC I.D.: 2AQ2Q-MUR1LVUFL
- (3) Instruction Book:
Refer to Exhibit for Instruction Manual.
- (4) Description of Circuit Functions:
Refer to Exhibit of Operational Description.
- (5) Block Diagram with Frequencies:
Refer to Exhibit of Operational Description.
- (6) Report of Measurements:
Report of measurements follows in this Report.
- (7) Photographs: Construction, Component Placement, etc.:
Refer to Exhibit for photographs of equipment.
- (8) List of Peripheral Equipment Necessary for operation. The equipment operates from direct current power supplied from the host equipment. The module provides no interface to connect tot utility AC power.
- (9) Transition Provisions of 47CFR 15.37 are not requested
- (10) Not Applicable. The unit is not a scanning receiver.
- (11) Not Applicable. The EUT does not operate in the 59 – 64 GHz frequency band.
- (12) The equipment is not software defined and this section is not applicable.
- (13) Applications for certification of U-NII devices in the 5.15-5.35 GHz and the 5.47-5.85 GHz bands must include a high-level operational description of the security procedures that control the radio frequency operating parameters and ensure that unauthorized modifications cannot be made. Not applicable to this filing.
- (14) Contain at least one drawing or photograph showing the test set-up for each of the required types of tests applicable to the device for which certification is requested. These drawings or photographs must show enough detail to confirm other information contained in the test report. Any photographs used must be focused originals without glare or dark spots and must clearly show the test configuration used. This information is provided in this report and Test Setup Exhibits provided with the application filing.

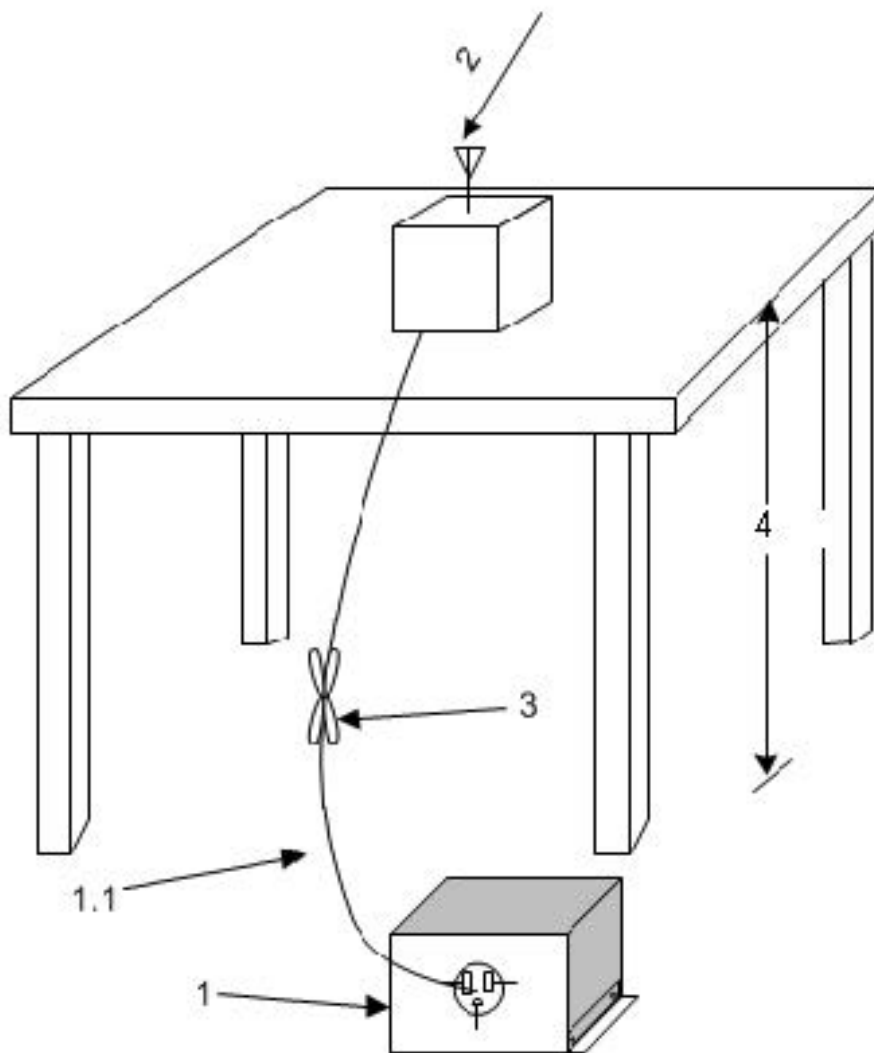
Applicable Standards & Test Procedures

In accordance with the Federal Communications Code of Federal Regulations, Title 47 (47CFR) dated March 24, 2020: Part 2, Subpart J, Paragraphs 2.1043, applicable parts of paragraph 15C, and KDB 178919 D01 Permissive Change Policy v06, for operation in the 2400 – 2483.5 MHz Frequency band. Test procedures used are the established Methods of Measurement of Radio-Noise Emissions as described in ANSI C63.10-2013.

Equipment Testing Procedures

Radiated Emission Test Procedure

The EUT was placed on a rotating 0.9 x 1.2-meter platform, elevated as required above the ground plane at a distance of 3 meters from the FSM antenna. Radiated emissions testing was performed as required in the regulations and specified in ANSI C63.10-2013. EMI energy was maximized by equipment placement permitting orientation in three orthogonal axes, raising and lowering the FSM antenna, changing the antenna polarization, and by rotating the turntable. Each emission was maximized before data was taken and recorded. The frequency spectrum from 9 kHz to 25,000 MHz was searched for emissions during preliminary investigation. Refer to diagrams one and two showing typical test setup. Refer to photographs in the test setup exhibits for specific EUT placement during testing.



1—A LISN is optional for radiated measurements between 30 MHz and 1000 MHz but not allowed for measurements below 30 MHz and above 1000 MHz (see 6.3.1). If used, then connect EUT to one LISN. Unused LISN measuring port connectors shall be terminated in 50 Ω loads. The LISN may be placed on top of, or immediately beneath, the reference ground plane (see 6.2.2 and 6.2.3.2).

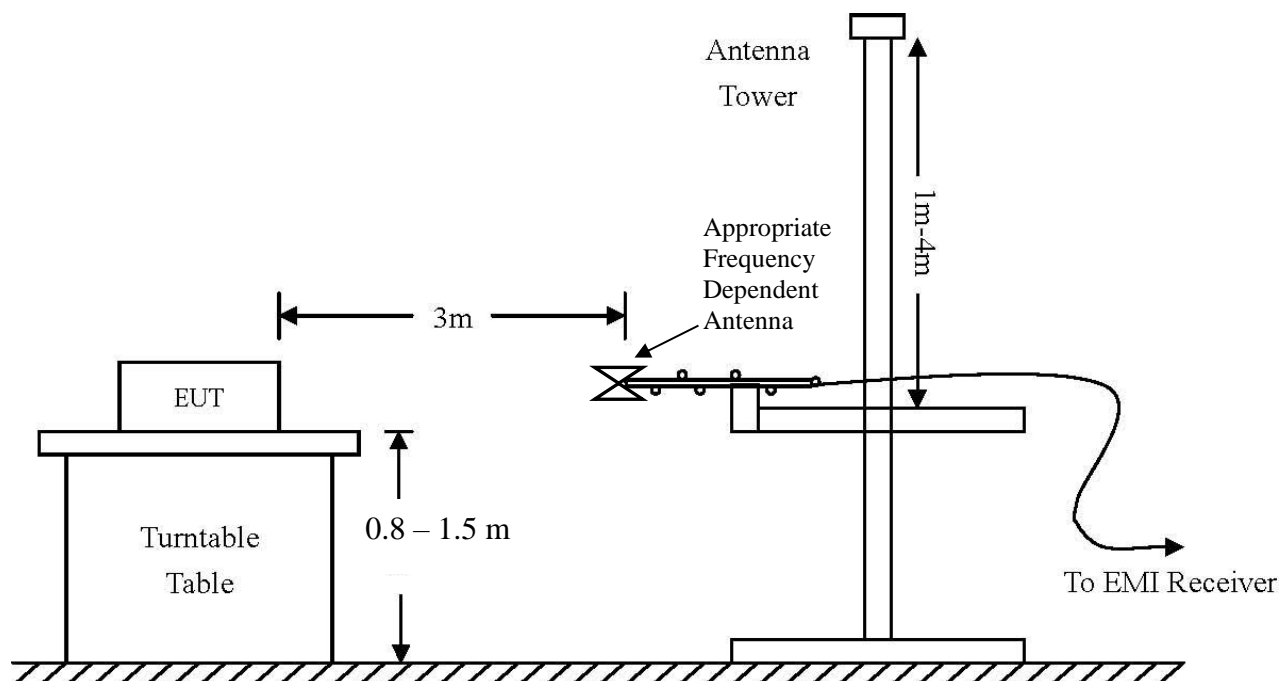
1.1—LISN spaced at least 80 cm from the nearest part of the EUT chassis.

2—Antenna can be integral or detachable, depending on the EUT (see 6.3.1).

3—Interconnecting cables that hang closer than 40 cm to the ground plane shall be folded back and forth in the center forming a bundle 30 cm to 40 cm long (see 6.3.1).

4—For emission measurements at or below 1 GHz, the table height shall be 80 cm. For emission measurements above 1 GHz, the table height shall be 1.5 m for measurements, except as otherwise specified (see 6.3.1 and 6.6.3.1).

Diagram 1 Test arrangement for radiated emissions



| Radiated Emissions (9 kHz-30 MHz) | | |
|-------------------------------------|-----------|-------------------|
| RBW | Video. BW | Detector Function |
| 9 kHz | 30 kHz | Peak / Average |
| Radiated Emissions (30-1000 MHz) | | |
| RBW | Video. BW | Detector Function |
| 120 kHz | 300 kHz | Peak / Quasi Peak |
| Radiated Emissions (Above 1000 MHz) | | |
| RBW | Video BW | Detector Function |
| 100 kHz | 100 kHz | Peak |
| 1 MHz | 1 MHz | Peak / Average |

Diagram 2 Test arrangement for radiated emissions tested on Open Area Test Site (OATS)

Test Site Locations

Antenna Port Conducted Antenna Port conducted emissions testing performed in a shielded screen room located at Rogers Labs, Inc., 4405 West 259th Terrace, Louisburg, KS

Radiated EMI The radiated emissions tests were performed at the 3 meters, Open Area Test Site (OATS) located at Rogers Labs, Inc., 4405 West 259th Terrace, Louisburg, KS

Registered Site information: FCC Site: US5305, ISED: 3041A, CAB Identifier: US0096

NVLAP Accreditation Lab code 200087-0

Rogers Labs, Inc.
4405 W. 259th Terrace
Louisburg, KS 66053

Cargt, Inc.
Model: MUR1LVUFL
Test: 200324

S/N: ENG1
FCC ID: 2A2Q2Q-MUR1LVUFL

Phone/Fax: (913) 837-3214 Test to: CFR47 15C

Date: June 7, 2020

Revision 1

File: Cargt MUR1LVUFL DSS C2PC 200324

Page 9 of 20

Units of Measurements

Conducted EMI Data is in dB μ V; dB referenced to one microvolt

Radiated EMI Data is in dB μ V/m; dB/m referenced to one microvolt per meter

Sample Calculation:

RFS = Radiated Field Strength, FSM = Field Strength Measured

A.F. = Receive antenna factor, Gain = amplification gains and/or cable losses

RFS (dB μ V/m @ 3m) = FSM (dB μ V) + A.F. (dB) - Gain (dB)

Environmental Conditions

Ambient Temperature 20.8° C

Relative Humidity 40%

Atmospheric Pressure 1016.2 mb

Statement of Modifications and Deviations

No modifications to the EUT were required during investigation for the equipment to demonstrate compliance with the 47CFR, Part 2.1043 and Part 15C requirements. There were no deviations to the specifications.

Intentional Radiators

The following information is submitted in support of demonstration of compliance with the requirements of 47CFR Parts 2 and 15C, Class 2 permissible change.

Restricted Bands of Operation

Spurious emissions falling in the restricted frequency bands of operation were measured at the OATS. The EUT utilizes frequency, determining circuitry, which generates harmonics falling in the restricted bands. Emissions were investigated at the OATS, using appropriate antennas or pyramidal horns, amplification stages, and a spectrum analyzer. Peak and average amplitudes of frequencies above 1000 MHz were compared to the required limits with worst-case data presented below. Test procedures of ANSI C63.10-2013 were used during testing. No other significant emission was observed which fell into the restricted bands of operation. Computed emission values consider the received radiated field strength,

Rogers Labs, Inc.
4405 W. 259th Terrace
Louisburg, KS 66053

Cargt, Inc.
Model: MUR1LVUFL
Test: 200324

S/N: ENG1
FCC ID: 2AQ2Q-MUR1LVUFL

Phone/Fax: (913) 837-3214 Test to: CFR47 15C

Date: June 7, 2020

Revision 1

File: Cargt MUR1LVUFL DSS C2PC 200324

Page 10 of 20

receive antenna correction factor, amplifier gain stage, and test system cable losses. Data presented reflects measurement result corrected to account for measurement system gains and losses. worst-case data presented.

Table 1 Harmonic Radiated Emissions in Restricted Bands Emissions (Worst-case)

| Frequency in MHz | Horizontal Peak (dB μ V/m) | Horizontal Average (dB μ V/m) | Vertical Peak (dB μ V/m) | Vertical Average (dB μ V/m) | Limit @ 3m (dB μ V/m) | Horizontal Margin (dB) | Vertical Margin (dB) |
|------------------|--------------------------------|-----------------------------------|------------------------------|---------------------------------|---------------------------|------------------------|----------------------|
| 2390.0 | 44.5 | 31.1 | 44.3 | 31.4 | 54.0 | -22.9 | -22.6 |
| 2483.5 | 53.3 | 32.6 | 46.9 | 33.1 | 54.0 | -21.4 | -20.9 |
| 4804.0 | 49.1 | 36.2 | 49.5 | 36.1 | 54.0 | -17.8 | -17.9 |
| 4880.0 | 49.3 | 35.9 | 49.6 | 35.8 | 54.0 | -18.1 | -18.2 |
| 4960.0 | 49.1 | 36.1 | 49.2 | 36.1 | 54.0 | -17.9 | -17.9 |
| 7206.0 | 53.1 | 39.8 | 52.8 | 39.8 | 54.0 | -14.2 | -14.2 |
| 7320.0 | 53.3 | 40.0 | 53.2 | 40.1 | 54.0 | -14.0 | -13.9 |
| 7440.0 | 53.1 | 40.1 | 52.7 | 40.2 | 54.0 | -13.9 | -13.8 |
| 12010.0 | 58.7 | 45.8 | 59.5 | 45.8 | 54.0 | -8.2 | -8.2 |
| 12200.0 | 58.9 | 46.3 | 58.7 | 46.3 | 54.0 | -7.7 | -7.7 |
| 12400.0 | 58.7 | 45.6 | 59.0 | 45.9 | 54.0 | -8.4 | -8.1 |

Other emissions present had amplitudes at least 20 dB below the limit. Peak and Quasi-Peak amplitude emissions are recorded for frequency below 1000 MHz. Peak and Average amplitude emissions are recorded for frequency range above 1000 MHz.

Summary of Results for Radiated Emissions in Restricted Bands

The EUT demonstrated compliance with the radiated emissions requirements of 47 CFR Part 15C restricted bands emission requirements. The EUT worst-case operation demonstrated a minimum radiated emission margin of -7.7 dB below the requirements in restricted frequency bands. Peak, Quasi-peak, and average amplitudes were checked for compliance with the regulations. Worst-case emissions are reported with other emissions found in the restricted frequency bands at least 20 dB below the requirements.

Operation in the 2400-2483.5 MHz Frequency Band

Radiated emissions were measured on the Open Area Test Site (OATS) at a three-meter distance. The production design MUR1LVUFL was mounted on a flat panel with the referenced antenna during testing. Radiated emissions measurements were performed on the described configuration. Testing procedures defined in publication ANSI C63.10-2013 were used during compliance testing. The EUT was placed on a turntable elevated as required above the ground plane at a distance of 3 meters from the FSM antenna located on the OATS. The peak and quasi-peak amplitude of the frequencies below 1000 MHz were measured using a spectrum analyzer / EMC receiver. The peak and average amplitude of emissions above 1000 MHz were measured using a spectrum analyzer / EMC receiver. Emissions data was recorded from the measurement results. Data presented reflects measurement result corrected to account for measurement system gains and losses. worst-case data presented.

Transmitter Emissions Data

Table 1 Transmitter Radiated Emissions (DSS mode Worst-case)

| Frequency in MHz | Horizontal Peak (dBµV/m) | Horizontal Average (dBµV/m) | Vertical Peak (dBµV/m) | Vertical Average (dBµV/m) | Limit @ 3m (dBµV/m) |
|------------------|--------------------------|-----------------------------|------------------------|---------------------------|---------------------|
| 2402.0 | - | - | - | - | - |
| 4804.0 | 49.1 | 36.2 | 49.5 | 36.1 | 54.0 |
| 7206.0 | 53.1 | 39.8 | 52.8 | 39.8 | 54.0 |
| 9608.0 | 55.6 | 42.7 | 55.6 | 42.6 | 54.0 |
| 12010.0 | 58.7 | 45.8 | 59.5 | 45.8 | 54.0 |
| 14412.0 | 61.8 | 48.4 | 61.4 | 48.3 | 54.0 |
| 16814.0 | 63.1 | 49.4 | 62.6 | 49.4 | 54.0 |
| 2440.0 | - | - | - | - | - |
| 4880.0 | 49.3 | 35.9 | 49.6 | 35.8 | 54.0 |
| 7320.0 | 53.3 | 40.0 | 53.2 | 40.1 | 54.0 |
| 9760.0 | 56.0 | 42.4 | 55.0 | 42.4 | 54.0 |
| 12200.0 | 58.9 | 46.3 | 58.7 | 46.3 | 54.0 |
| 14640.0 | 61.1 | 48.5 | 61.6 | 48.5 | 54.0 |
| 17080.0 | 62.8 | 49.6 | 63.1 | 49.6 | 54.0 |
| 2480.0 | - | - | - | - | - |
| 4960.0 | 49.1 | 36.1 | 49.2 | 36.1 | 54.0 |
| 7440.0 | 53.1 | 40.1 | 52.7 | 40.2 | 54.0 |
| 9920.0 | 56.0 | 42.3 | 55.2 | 42.2 | 54.0 |
| 12400.0 | 58.7 | 45.6 | 59.0 | 45.9 | 54.0 |
| 14880.0 | 61.7 | 48.4 | 61.8 | 48.4 | 54.0 |
| 17360.0 | 62.5 | 49.5 | 62.9 | 49.4 | 54.0 |

Other emissions present had amplitudes at least 20 dB below the limit. Peak and Quasi-Peak amplitude emissions are recorded above for frequency range of 30-1000 MHz. Peak and Average amplitude emissions are recorded above for frequency range above 1000 MHz.

Summary of Results for Transmitter Radiated Emissions of Intentional Radiator

The EUT demonstrated compliance with the radiated emissions requirements of 47CFR Part 15.247. The minimum radiated harmonic emission provided -4.4 dB margin below requirements. There were no other significantly measurable emissions in the restricted bands other than those recorded in this report. Other emissions were present with amplitudes at least 20 dB below the requirements. There were no other deviations or exceptions to the requirements.

Statement of Modifications and Deviations

No modifications to the EUT were required for the unit to demonstrate compliance with the 47CFR Part 15C paragraph 15.247 emissions requirements. There were no deviations or modifications to the specifications.

Annex

- Annex A Measurement Uncertainty Calculations
- Annex B Test Equipment List
- Annex C Rogers Qualifications
- Annex D Roger Labs Certificate of Accreditation

Annex A Measurement Uncertainty Calculations

The measurement uncertainty was calculated for all measurements listed in this test report according To CISPR 16-4. Result of measurement uncertainty calculations are recorded below. Component and process variability of production devices similar to those tested may result in additional deviations. The manufacturer has the sole responsibility of continued compliance.

| Measurement | Expanded Measurement Uncertainty $U_{(lab)}$ |
|---|--|
| 3 Meter Horizontal 0.009-1000 MHz Measurements | 4.16 |
| 3 Meter Vertical 0.009-1000 MHz Measurements | 4.33 |
| 3 Meter Measurements 1-18 GHz | 5.14 |
| 3 Meter Measurements 18-40 GHz | 5.16 |
| 10 Meter Horizontal Measurements 0.009-1000 MHz | 4.15 |
| 10 Meter Vertical Measurements 0.009-1000 MHz | 4.32 |
| AC Line Conducted | 1.75 |
| Antenna Port Conducted power | 1.17 |
| Frequency Stability | 1.00E-11 |
| Temperature | 1.6°C |
| Humidity | 3% |

Annex B Test Equipment

| <u>Equipment</u> | <u>Manufacturer</u> | <u>Model (SN)</u> | <u>Band</u> | <u>Cal Date(m/d/y)</u> | <u>Due</u> |
|---|---------------------|---------------------------------|--------------|------------------------|------------|
| <input type="checkbox"/> LISN | FCC | FCC-LISN-50-25-10(1PA) (160611) | .15-30MHz | 4/21/2020 | 4/21/2021 |
| <input type="checkbox"/> LISN | Compliance Design | FCC-LISN-2.Mod.cd,(126) | .15-30MHz | 10/14/2019 | 10/14/2020 |
| <input checked="" type="checkbox"/> Cable | Huber & Suhner Inc. | Sucoflex102ea(L10M)(303073) | 9kHz-40 GHz | 10/14/2019 | 10/14/2020 |
| <input checked="" type="checkbox"/> Cable | Huber & Suhner Inc. | Sucoflex102ea(1.5M)(303069) | 9kHz-40 GHz | 10/14/2019 | 10/14/2020 |
| <input type="checkbox"/> Cable | Huber & Suhner Inc. | Sucoflex102ea(1.5M)(303071) | 9kHz-40 GHz | 10/14/2019 | 10/14/2020 |
| <input type="checkbox"/> Cable | Belden | RG-58 (L1-CAT3-11509) | 9kHz-30 MHz | 10/14/2019 | 10/14/2020 |
| <input type="checkbox"/> Cable | Belden | RG-58 (L2-CAT3-11509) | 9kHz-30 MHz | 10/14/2019 | 10/14/2020 |
| <input type="checkbox"/> Antenna | Com Power | AL-130 (121055) | .001-30 MHz | 10/14/2019 | 10/14/2020 |
| <input type="checkbox"/> Antenna: | EMCO | 6509 | .001-30 MHz | 10/16/2018 | 10/16/2020 |
| <input type="checkbox"/> Antenna | ARA | BCD-235-B (169) | 20-350MHz | 10/14/2019 | 10/14/2020 |
| <input type="checkbox"/> Antenna: | Schwarzbeck Model: | BBA 9106/VHBB 9124 (9124-627) | | 4/21/2020 | 4/21/2021 |
| <input checked="" type="checkbox"/> Antenna | Sunol | JB-6 (A100709) | 30-1000 MHz | 10/14/2019 | 10/14/2020 |
| <input type="checkbox"/> Antenna | ETS-Lindgren | 3147 (40582) | 200-1000MHz | 10/14/2019 | 10/14/2020 |
| <input type="checkbox"/> Antenna: | Schwarzbeck Model: | VULP 9118 A (VULP 9118 A-534) | | 4/21/2020 | 4/21/2021 |
| <input checked="" type="checkbox"/> Antenna | ETS-Lindgren | 3117 (200389) | 1-18 GHz | 4/21/2020 | 4/23/2022 |
| <input type="checkbox"/> Antenna | Com Power | AH-118 (10110) | 1-18 GHz | 10/14/2019 | 10/14/2020 |
| <input checked="" type="checkbox"/> Antenna | Com Power | AH-840 (101046) | 18-40 GHz | 4/21/2020 | 4/21/2021 |
| <input checked="" type="checkbox"/> Analyzer | Rohde & Schwarz | ESU40 (100108) | 20Hz-40GHz | 4/21/2020 | 4/21/2021 |
| <input checked="" type="checkbox"/> Analyzer | Rohde & Schwarz | ESW44 (101534) | 20Hz-44GHz | 1/27/2020 | 1/27/2021 |
| <input type="checkbox"/> Analyzer | Rohde & Schwarz | FS-Z60, 90, 140, and 220 | 40GHz-220GHz | 12/22/2017 | 12/22/2027 |
| <input type="checkbox"/> Amplifier | Com-Power | PA-010 (171003) | 100Hz-30MHz | 10/14/2019 | 10/14/2020 |
| <input checked="" type="checkbox"/> Amplifier | Com-Power | CPPA-102 (01254) | 1-1000 MHz | 10/14/2019 | 10/14/2020 |
| <input checked="" type="checkbox"/> Amplifier | Com-Power | PAM-118A (551014) | 0.5-18 GHz | 10/14/2019 | 10/14/2020 |
| <input checked="" type="checkbox"/> Amplifier | Com-Power | PAM-840A (461328) | 18-40 GHz | 10/14/2019 | 10/14/2020 |
| <input type="checkbox"/> Power Meter | Agilent | N1911A with N1921A | 0.05-40 GHz | 4/21/2020 | 4/21/2021 |
| <input type="checkbox"/> Generator | Rohde & Schwarz | SMB100A6 (100150) | 20Hz-6 GHz | 4/21/2020 | 4/21/2021 |
| <input type="checkbox"/> Generator | Rohde & Schwarz | SMBV100A6 (260771) | 20Hz-6 GHz | 4/21/2020 | 4/21/2021 |
| <input type="checkbox"/> RF Filter | Micro-Tronics | BRC50722 (009).9G notch | 30-18000 MHz | 4/21/2020 | 4/21/2021 |
| <input type="checkbox"/> RF Filter | Micro-Tronics | HPM50114 (017)1.5G HPF | 30-18000 MHz | 4/21/2020 | 4/21/2021 |
| <input type="checkbox"/> RF Filter | Micro-Tronics | HPM50117 (063) 3G HPF | 30-18000 MHz | 4/21/2020 | 4/21/2021 |
| <input type="checkbox"/> RF Filter | Micro-Tronics | HPM50105 (059) 6G HPF | 30-18000 MHz | 4/21/2020 | 4/21/2021 |
| <input type="checkbox"/> RF Filter | Micro-Tronics | BRM50702 (172) 2G notch | 30-18000 MHz | 4/21/2020 | 4/21/2021 |
| <input type="checkbox"/> RF Filter | Micro-Tronics | BRC50703 (G102) 5G notch | 30-18000 MHz | 4/21/2020 | 4/21/2021 |
| <input type="checkbox"/> RF Filter | Micro-Tronics | BRC50705 (024) 5G notch | 30-18000 MHz | 4/21/2020 | 4/21/2021 |
| <input type="checkbox"/> Attenuator | Fairview | SA6NFN100W-40 (1625) | 30-18000 MHz | 4/21/2020 | 4/18/2021 |
| <input type="checkbox"/> Attenuator | Mini-Circuits | VAT-3W2+ (1436) | 30-6000 MHz | 4/21/2020 | 4/21/2021 |
| <input type="checkbox"/> Attenuator | Mini-Circuits | VAT-3W2+ (1445) | 30-6000 MHz | 4/21/2020 | 4/21/2021 |
| <input type="checkbox"/> Attenuator | Mini-Circuits | VAT-3W2+ (1735) | 30-6000 MHz | 4/21/2020 | 4/21/2021 |
| <input type="checkbox"/> Attenuator | Mini-Circuits | VAT-6W2+ (1438) | 30-6000 MHz | 4/21/2020 | 4/21/2021 |
| <input type="checkbox"/> Attenuator | Mini-Circuits | VAT-6W2+ (1736) | 30-6000 MHz | 4/21/2020 | 4/21/2021 |
| <input checked="" type="checkbox"/> Weather station | Davis | 6312 (A81120N075) | | 11/4/2019 | 11/4/2020 |

Rogers Labs, Inc.
 4405 W. 259th Terrace
 Louisburg, KS 66053

Cargt, Inc.
 Model: MUR1LVUFL
 Test: 200324

S/N: ENG1
 FCC ID: 2AQ2Q-MUR1LVUFL

Phone/Fax: (913) 837-3214 Test to: CFR47 15C

Date: June 7, 2020

| List of Test Equipment | Calibration | Date (m/d/y) | Due |
|--|-------------|--------------|--------------|
| <input type="checkbox"/> Frequency Counter: Leader LDC-825 (8060153) | | 4/21/2020 | 4/21/2021 |
| <input type="checkbox"/> LISN: Com-Power Model LI-220A | | 10/14/2019 | 10/14/2020 |
| <input type="checkbox"/> LISN: Com-Power Model LI-550C | | 10/14/2019 | 10/14/2020 |
| <input type="checkbox"/> ISN: Com-Power Model ISN T-8 | | 4/21/2020 | 4/21/2021 |
| <input type="checkbox"/> LISN: Fischer Custom Communications Model: FCC-LISN-50-16-2-08 | | 4/21/2020 | 4/21/2021 |
| <input type="checkbox"/> Cable Huber & Suhner Inc. Sucoflex102ea(1.5M)(303070) 9kHz-40 GHz | | 10/14/2019 | 10/14/2020 |
| <input type="checkbox"/> Cable Huber & Suhner Inc. Sucoflex102ea(1.5M)(303072) 9kHz-40 GHz | | 10/14/2019 | 10/14/2020 |
| <input type="checkbox"/> Cable Huber & Suhner Inc. Sucoflex102ea(L4M)(281184) 9kHz-40 GHz | | 10/14/2019 | 10/14/2020 |
| <input type="checkbox"/> Cable Huber & Suhner Inc. Sucoflex102ea(L10M)(317546)9kHz-40 GHz | | 10/14/2019 | 10/14/2020 |
| <input type="checkbox"/> Cable Time Microwave 4M-750HF290-750 (4M) 9kHz-24 GHz | | 10/14/2019 | 10/14/2020 |
| <input type="checkbox"/> RF Filter Micro-Tronics BRC17663 (001) 9.3-9.5 notch 30-1800 MHz | | 4/21/2020 | 4/21/2021 |
| <input type="checkbox"/> RF Filter Micro-Tronics BRC19565 (001) 9.2-9.6 notch 30-1800 MHz | | 10/16/2018 | 4/21/2021 |
| <input type="checkbox"/> Analyzer HP 8562A (3051A05950) 9kHz-125GHz | | 4/21/2020 | 4/21/2021 |
| <input type="checkbox"/> Analyzer HP External Mixers11571, 11970 25GHz-110GHz | | 4/18/2015 | 4/18/2025 |
| <input type="checkbox"/> Analyzer HP 8591EM (3628A00871) | | 4/21/2020 | 4/21/2021 |
| <input type="checkbox"/> Antenna: Solar 9229-1 & 9230-1 | | 2/22/2020 | 2/22/2021 |
| <input type="checkbox"/> CDN: Com-Power Model CDN325E | | 10/14/2019 | 10/14/2020 |
| <input type="checkbox"/> Injection Clamp Luthi Model EM101 | | 10/14/2019 | 10/14/2020 |
| <input type="checkbox"/> Oscilloscope Scope: Tektronix MDO 4104 | | 2/22/2020 | 2/22/2021 |
| <input type="checkbox"/> EMC Transient Generator HVT TR 3000 | | 2/22/2020 | 2/22/2021 |
| <input type="checkbox"/> AC Power Source (Ametech, California Instruments) | | 2/22/2020 | 2/22/2021 |
| <input type="checkbox"/> Field Intensity Meter: EFM-018 | | 2/22/2020 | 2/22/2021 |
| <input type="checkbox"/> ESD Simulator: MZ-15 | | 2/22/2020 | 2/22/2021 |
| <input type="checkbox"/> R.F. Power Amp ACS 230-50W | | | not required |
| <input type="checkbox"/> R.F. Power Amp EIN Model: A301 | | | not required |
| <input type="checkbox"/> R.F. Power Amp A.R. Model: 10W 1010M7 | | | not required |
| <input type="checkbox"/> R.F. Power Amp A.R. Model: 50U1000 | | | not required |
| <input checked="" type="checkbox"/> Shielded Room | | | not required |

Annex C Rogers Qualifications

Scot D. Rogers, Engineer

Rogers Labs, Inc.

Mr. Rogers has approximately 34 years' experience in the field of electronics. Engineering experience includes six years in the automated controls industry and remaining years working with the design, development and testing of radio communications and electronic equipment.

Positions Held

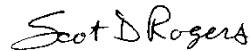
Systems Engineer: A/C Controls Mfg. Co., Inc. 6 Years

Electrical Engineer: Rogers Consulting Labs, Inc. 5 Years

Electrical Engineer: Rogers Labs, Inc. Current

Educational Background



- 1) Bachelor of Science Degree in Electrical Engineering from Kansas State University.
- 2) Bachelor of Science Degree in Business Administration Kansas State University.
- 3) Several Specialized Training courses and seminars pertaining to Microprocessors and Software programming.



Scot D. Rogers

Annex D Rogers Labs Certificate of Accreditation

United States Department of Commerce
National Institute of Standards and Technology

Certificate of Accreditation to ISO/IEC 17025:2017

NVLAP LAB CODE: 200087-0


Rogers Labs, Inc.
Louisburg, KS

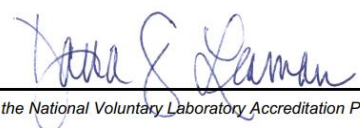
*is accredited by the National Voluntary Laboratory Accreditation Program for specific services,
listed on the Scope of Accreditation, for:*

Electromagnetic Compatibility & Telecommunications

*This laboratory is accredited in accordance with the recognized International Standard ISO/IEC 17025:2017.
This accreditation demonstrates technical competence for a defined scope and the operation of a laboratory quality
management system (refer to joint ISO-ILAC-IAF Communique dated January 2009).*

2020-02-25 through 2021-03-31
Effective Dates




For the National Voluntary Laboratory Accreditation Program

Rogers Labs, Inc.
4405 W. 259th Terrace
Louisburg, KS 66053
Phone/Fax: (913) 837-3214
Revision 1

Cargt, Inc.
Model: MUR1LVUFL
Test: 200324
Test to: CFR47 15C
File: Cargt MUR1LVUFL DSS C2PC 200324

S/N: ENG1
FCC ID: 2AQ2Q-MUR1LVUFL
Date: June 7, 2020
Page 20 of 20