



Bluetooth headset 5.1  
HGD T11

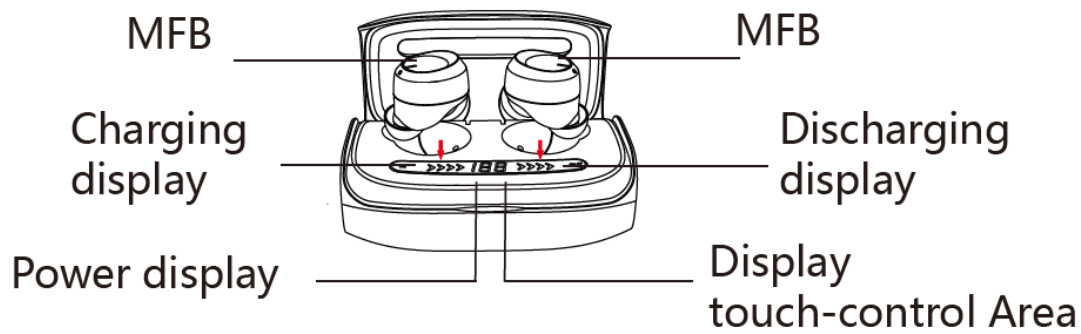


Multi-language user manual

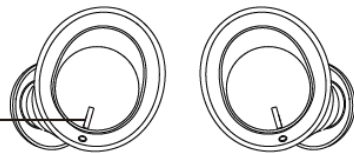


# English User Manual

## Product Schematic



Earbud's Indicator



USB Output port



USB Input port

English..... 1



## Instruction for use

---

**⚠ Please put the earphones into the charging box, fully charge them before first use.**

### **TWS earphones Using:**

The earphones can be automatically power on and paired when they are taken out of the charging box.

At this time, activate the mobile phone Bluetooth to search #HGD-T11-L/HGD-T11-R#.

### **Single earphone using:**

The earphone can be automatically power on and paired when it is taken out of the charging box.

At this time, activate the mobile phone Bluetooth to search #HGD-T11-L / HGD-T11-R#.

**Notes:** If the earphone is not taken out from the charging box, long press the MFB button for about 3 seconds to power on, and then activate the mobile phone Bluetooth to search #HGD-T11-L# / #HGD-T11-R#.



## Instruction for use

---

### **Automatic connection:**

The earphones will automatically connect to the last paired device when reboot.

It may need to connect manually if the earphones haven't been used for a long time.

### **Automatic power off:**

Pairing time out of 2 minutes, it will power off automatically.

**Notes:** When earbuds dose not pair with each other automatically, please put earbuds back into the charging case, at this time, press both MFBs for 5 seconds to reboot the earbuds.



## Function Guide

Function	Operation
Play/Pause	Single tap MFB
Power on/off	Pause the music, then long tap MFB for appr.3s
Answer/End a call	Single tap MFB
Reject a call	Long tap MFB for 2s
Previous	Double tap L's MFB
Next	Double tap R's MFB
Volume down	Long tap L's MFB
Volume up	Long tap R's MFB
Wake up voice assistant	Triple tap MFB



## Charging

---

When the earphone prompt " didi ", please put the earphones into the charging box to charge.

When the charging box run out of battery, please use the standard charger to charge it.

### **Charge for the earphones:**

Red light on when charging, light off when fully charged.

Charging time: appr. 1H

### **Charge for the charging box:**

Green lights flashes when earbuds are in charging, Light off When fully charged. At this time, the display screen shows "100".

Charging time: appt.3H

### **Notes:**

- ①. Before charging, it is best to turn off the earphone for safety.
- ②. Make sure the earphone is fully charged before first using.
- ③. Make sure every charging is fully charged, since repeated undercharging of the earphone will cause the degradation of the battery performance.
- ④. If the earphone has not been used for a long time, please recharge it before using.



## Technical Specification

BT Version	V5.1
BT Profile	A2DP,AVRCP,HFP,HSP
Frequency Range	2.402GHz - 2.480GHz
Transmission Range	About 33 ft /10 m (barrier-free)
Battery type	Earphones: 50mAh *2 Charging box: 3000 mAh
Music Time	About 6-8 H (60% volume)
Talking Time	About 7-9 H
Standby Time	About 300H





## Attention

---

- The earphone comes with built-in non-removable, rechargeable Li-ion battery, please don't try to remove the battery from the earphones to avoid danger and damage.
- Please keep or use it under normal temperature.
- Do not throw it away casually or put it into fire to avoid danger.
- Do not disassemble, repair or modify it by yourself.
- Do not use harsh chemicals or strong detergents to clean the earphone.
- Do not use the earphone during a thunderstorm. It may cause the its irregular work and increase the risk of electric shock.

#### FCC Warning Statement

Changes or modifications not expressly approved by the party responsible for compliance could void the user's authority to operate the equipment. This equipment has been tested and found to comply with the limits for a Class B digital device, pursuant to Part 15 of the FCC Rules. These limits are designed to provide reasonable protection against harmful interference in a residential installation. This equipment generates uses and can radiate radio frequency energy and, if not installed and used in accordance with the instructions, may cause harmful interference to radio communications. However, there is no guarantee that interference will not occur in a particular installation. If this equipment does cause harmful interference to radio or television reception, which can be determined by turning the equipment off and on, the user is encouraged to try to correct the interference by one or more of the following measures:

- - Reorient or relocate the receiving antenna.
- - Increase the separation between the equipment and receiver.
- - Connect the equipment into an outlet on a circuit different from that to which the receiver is connected.
- - Consult the dealer or an experienced radio/TV technician for help.

This device complies with part 15 of the FCC Rules. Operation is subject to the following two conditions: (1) This device may not cause harmful interference, and (2) this device must accept any interference received, including interference that may cause undesired operation.