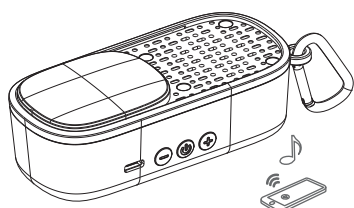


AF0069 157g铜版纸, 正反印, 三折页, 风琴折

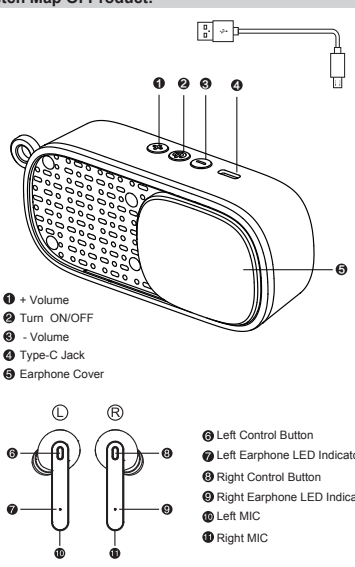
60mm
60mm
60mm

85mm

USER MANUAL



Sketch Map Of Product:



① + Volume
② Turn ON/OFF
③ - Volume
④ Type-C Jack
⑤ Earphone Cover

⑥ Left Control Button
⑦ Left Earphone LED Indicator
⑧ Right Control Button
⑨ Right Earphone LED Indicator
⑩ Left MIC
⑪ Right MIC

List:

Wireless Earphone+Speaker	X1
Left Earphone	X1
Right Earphone	X1
Type-C Cable	X1
Manual	X1

Technical Parameter:

Earphone	Speaker
Playing Time:180Min	The Output Power:32Q
Earphone Input: DC 5V/40mA	Wireless Version:V5.0+EDR
Working Voltage:5V	Wireless Transmission:10M
Earphone Battery:30mAh/3.7V *2	Charging box Battery:500mAh/3.7V
AF0069	ITEM 25019

Recharging the Bluetooth Stereo Charger Bay:

1. Insert the Micro charging cable terminal into the Micro-USB input port. The LED indicator of the wireless audio charging Bin will light up the blue light and flash.
2. When the battery is charged, the blue light on.

Charging the Earphones:

1. Place The headset in a wireless sound charging bay, and the LED will light up red when charging.
2. When the battery is charged, the red LED light on.

Note: If the earphone battery is low, the speaker volume will be lowered and you will hear a warning sound from the speaker, indicating that the earphone battery is low.

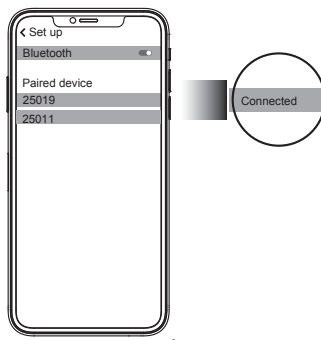
正面

60mm
60mm

85mm

Wireless link playback:

1. Press the button long for about 3 seconds and turn on the headset. You will hear the sound of the speaker, at the same time the blue and red indicator lights flashing, the main pair of headphones automatically match, after the successful match, the deputy ear lights off, the main ear red and blue alternately flashing.
2. Turn on the device and enable wireless
3. Search for the appropriate wireless name and Click on the match, and you'll hear a sound from your headset that says it's linked.
4. play/pause music: Short Button, toggle play/pause.
5. Press the Button 3 times quickly to choose the next Song; press the Button 2 times quickly to choose the last song.
6. Press the button for 3 seconds or so to turn off the headset, and you will hear a sound indicating that the headset is turned off and the red light flashes twice before it is turned off.



Points To Note:

1. Charge the device fully the first time you use it (the sound will not sound as normal when the battery is low)
2. If the product is not used for a long time (more than 2 weeks) , please charge it.
3. Wireless connections and transmissions may be affected by the environment, such as trees, metals and other materials that can absorb or block signals, so the distance of data transmission may also be affected.

Security alert:

1. Do not store or use the product below 32°C or above 115°C.
2. Do not remove or repair modified earphones for any reason, which may cause fire, electronic breakdown or even complete damage to the product.
3. Using headphones for long periods of time can cause hearing damage, so use them at a reasonable time.
4. Please avoid using product lights near the eyes of children or animals.
5. Do not use the product in thunderstorm weather. Thunderstorms may cause the product to work abnormally and increase the risk of electric shock.

FCC STATEMENT

This device complies with Part 15 of the FCC Rules. Operation is subject to the following two conditions:
 (1) this device may not cause harmful interference, and
 (2) this device must accept any interference received, including interference that may cause undesired operation

The Bluetooth® word mark and logos are registered trademarks owned by Bluetooth SIG, Inc. and any use of such marks by Dongguan Longjing Electronic Co., Ltd is under license. Other trademarks and trade names are those of their respective owners.
 Manufacturer: Dongguan Longjing Electronic Co., Ltd. Bluetooth Listing: D037188
 Item Number: 25019

This device has been tested and found to comply with the limits for a Class B digital device, pursuant to Part 15 of the FCC Rules. These limits are designed to provide reasonable protection against harmful interference in a residential installation. This device generates, uses and can radiate radio frequency energy and, if not installed and used in accordance with the instructions, may cause harmful interference to radio communications.

However, there is no guarantee that interference will not occur in a particular installation. If this device does cause harmful interference to radio or television reception, which can be determined by turning the device off and on, the user is encouraged to try to correct the interference by one or more of the following measures:

- Reorient or relocate the receiving antenna.
- Increase the separation between the device and receiver.
- Connect the device into an outlet on a circuit different from that to which the receiver is connected.
- Consult the dealer or an experienced radio/TV technician for help.

Changes or modifications not expressly approved by the party responsible for compliance could void the user's authority to operate the equipment.

FCC ID 2APYY-AF0069 Made in China

背面

■ 紅色線和字都不印刷
■ 黑色