

90 mm

90 mm

90 mm

Glass Wireless charger Bamboo

User manual

Product Overview:



Specifications:

Input: DC 5V/2A, 9V/2A

Wireless Output: DC 5V/1A, 9V/1.1A

Working Distance: 2~4 mm

Magnetic alignment suitable for compatible devices only.

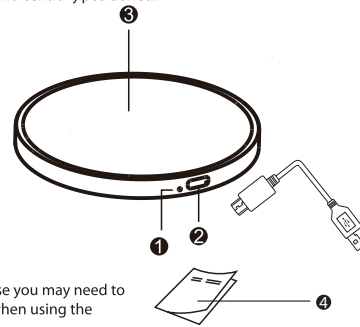
Suitable for all mobile devices with Qi technology.

Operation:

1. Connect the cable into a USB port or into a USB AC adapter.
2. Put your Qi compatible device on top of the wireless charger, ensuring that it is face up and centrally positioned.

- ① Indicator Light
- ② Type-C
- ③ Charging area
- ④ Instruction sheet

Note: If your phone has a protective case you may need to remove it for a successful connection when using the wireless charger.



Important Safety Instructions

When using this product, basic precautions should always be followed, including the following:

- a. Read all the instructions before using the product.
- b. To reduce the risk of injury, close supervision is necessary when the product is used near children.
- c. Do not put finger or hands into the product.
- d. Do not expose product to rain or snow.
- e. Using the product incorrectly may result in the risk of fire or injury to persons.
- f. Do not use the product in excess of its output rating.
- g. Overload outputs above rating may result in a risk of fire or injury to persons.
- h. Do not use the product that is damaged or modified. Damaged or modified product may exhibit unpredictable behavior resulting in fire, explosion and/or risk of injury.
- i. Do not disassemble the product. Take it to a qualified service person when services or repair is required. Incorrect reassembly may result in a risk of fire or injury to persons.
- j. Do not expose product to fire or excessively high temperatures.
- k. Exposure to fire or temperature above 113°F (45°C) may cause explosion.
- l. Have servicing performed by a qualified repair person using only identical replacement parts.
- m. This will ensure that the safety of the product is maintained.
- n. Switch off the product when not in use.

FCC statement

This device complies with Part 15 of the FCC Rules. Operation is subject to the following two conditions:

(1) this device may not cause harmful interference, and (2) this device must accept any interference received, including interference that may cause undesired operation

This device has been tested and found to comply with the limits for a Class B digital device, pursuant to Part 15 of the FCC Rules. These limits are designed to provide reasonable protection against harmful interference in a residential installation. This device generates, uses and can radiate radio frequency energy and, if not installed and used in accordance with the instructions, may cause harmful interference to radio communications.

However, there is no guarantee that interference will not occur in a particular installation. If this device does cause harmful interference to radio or television reception, which can be determined by turning the device off and on, the user is encouraged to try to correct the interference by one or more of the following measures:

- Reorient or relocate the receiving antenna.
- Increase the separation between the device and receiver.
- Connect the device into an outlet on a circuit different from that to which the receiver is connected.
- Consult the dealer or an experienced radio/TV technician for help

Changes or modifications not expressly approved by the party responsible for compliance could void the user's authority to operate the equipment

The distance between user and products should be no less 20cm

Warning!

This wireless charger is designed to charge Qi compatible mobile phones. Not for use with AirPods®, Airpod Pros® or other earphones with wireless charging cases. AirPods is a trademark of Apple Inc., registered in the U.S. and other countries.



130 mm