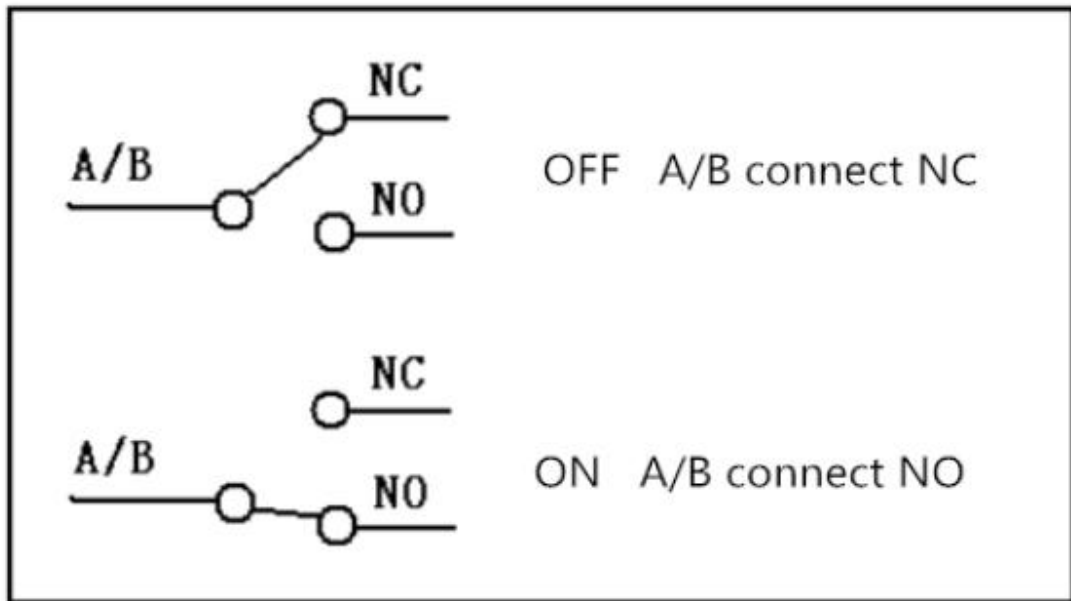


1. Overview.

HTC-RELAYS02 is a BT4.0 BLE switch controller. You can use your smart phone or computer connect it with Bluetooth. there are two relays switcher. They are independent each other. every one relays switcher has three port “No” “A/B” “NC”. “A/B” is the input port , if you click “ON”, the “A/B” will be connect the “NO” port. if you click the “OFF”,the “A/B” will be connect the “NC” port. you can see the picture 1 off below.



Picture 1

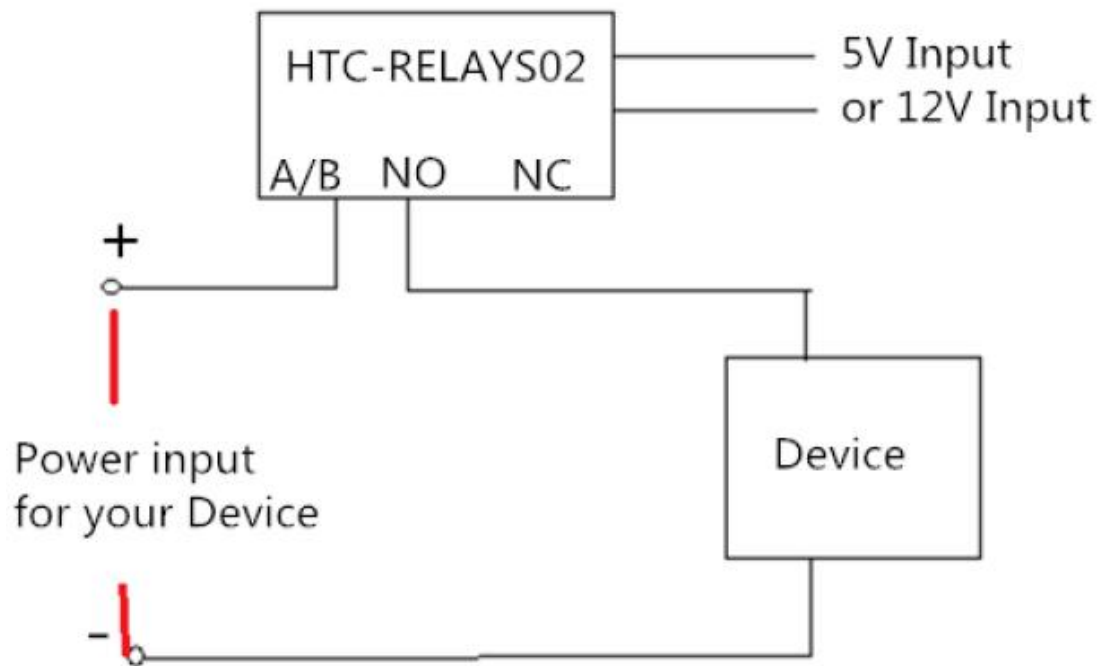
2. Product Picture.



Picture 2

3.Refer to the Application.

there is a example you can know how to use it.



Picture 3

Remarks:

1. if the device is a light. the “+” input line connect the “A/B”,output line connect the “NO”, the “-“ connect the light’s negative.
- 2.Connect the DC Power 5V or 12V for HTC-RELAYS02. the Relays will be work.
3. Open the app in the smart phone. you can scan the HTC-RELAYS02’s name. Click and connect it. the app have two switch bar. you can click it and remote control the light on or off.

FCC Warning Statement

This equipment has been tested and found to comply with the limits for a Class B digital device, pursuant to part 15 of the FCC Rules. These limits are designed to provide reasonable protection against harmful interference in a residential installation. This equipment generates, uses and can radiate radio frequency energy and, if not installed and used in accordance with the instructions, may cause harmful interference to radio communications.

However, there is no guarantee that interference will not occur in a particular installation. If this equipment does cause harmful interference to radio or television reception, which can be determined by turning the equipment off and on, the user is encouraged to try to correct the interference by one or more of the following measures:

- Reorient or relocate the receiving antenna.
- Increase the separation between the equipment and receiver.
- Connect the equipment into an outlet on a circuit different from that to which the receiver is connected.
- Consult the dealer or an experienced radio/TV technician for help.

Caution: Any changes or modifications to this device not explicitly approved by manufacturer could void your authority to operate this equipment.

This device complies with part 15 of the FCC Rules. Operation is subject to the following two conditions: (1) This device may not cause harmful interference, and (2) this device must accept any interference received, including interference that may cause undesired operation.

The device has been evaluated to meet general RF exposure requirement. The device can be used in portable exposure condition without restriction.