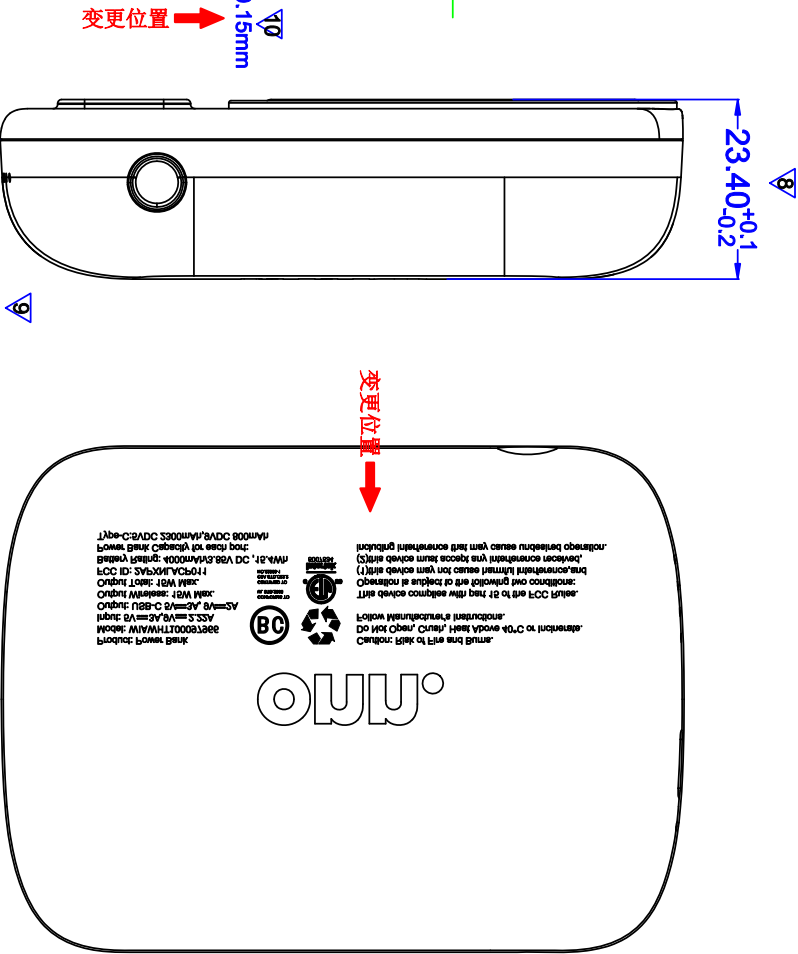
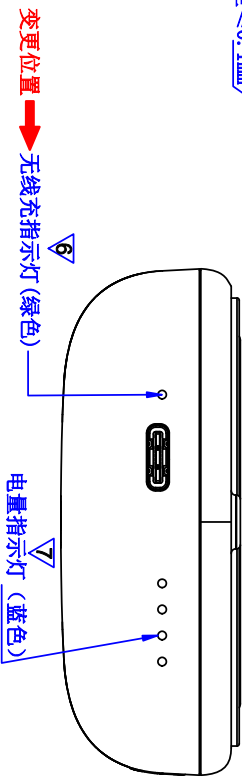
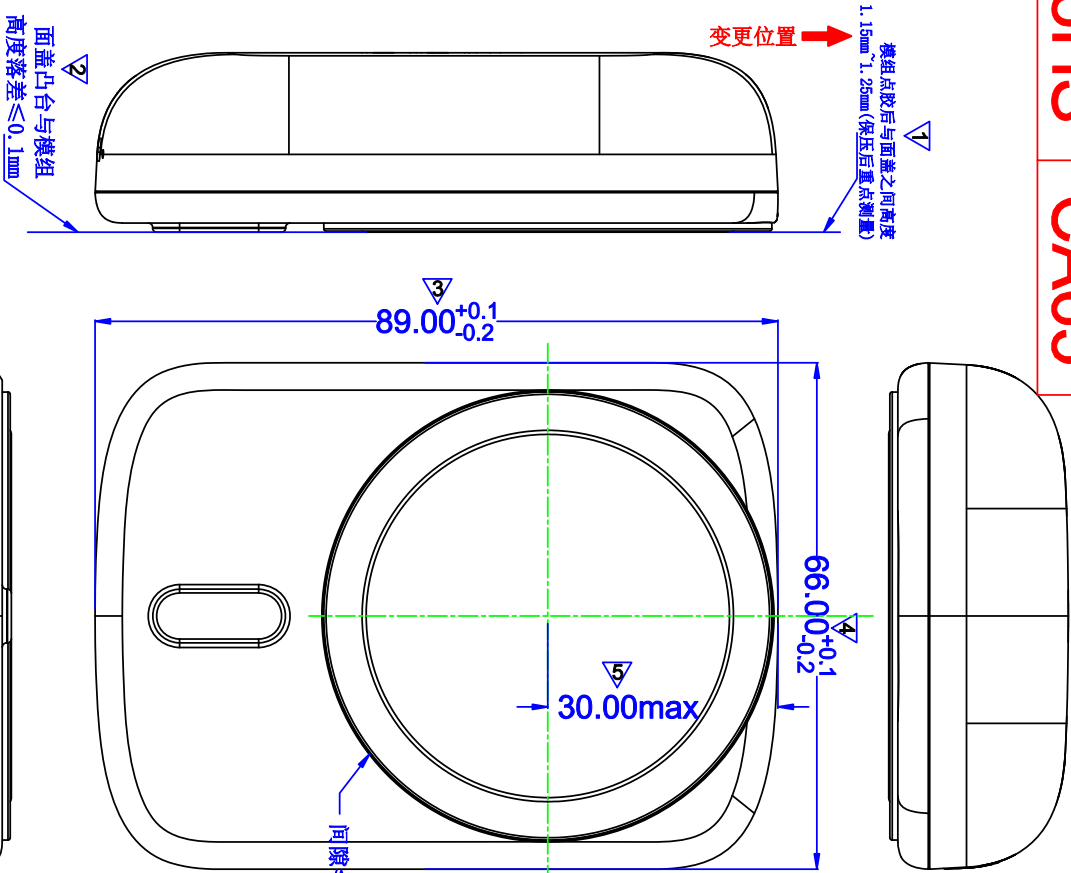


ROHS CA65

REV.	DESCRIPTION	DESIGN	APPROVAL	DATE
A1	NEW DRAWING	HUI WANG	XIONGWU LI	2022/11/3
A2	320000162-120 增加管控尺寸	HUI WANG	XIONGWU LI	2022/11/23



$X \pm 1$	$X \pm 1$
$.X \pm 0.3$	$.X \pm 0.5$
$.XX \pm 0.20$	$.XX \pm 0.3$
$.XXX \pm 0.100$	$.XXX \pm 0.1$
UNITS:	mm

Customer P/N: WIAWHT100097966	Customer REV.: D87
PART NO. L3TPB003-CS-R1	APPD: XIONGWU LI
CHKD: DUWEN XIAO	DRAW: HUI WANG

TITLE: LUXSHARE-ICT	
C222 白色 (无包材)	
DWG NO: RDS2209087	SCALE SHEET REV. 1:2 1/4 A2

THESE DRAWINGS AND SPECIFICATIONS ARE THE PROPERTY OF LUXSHARE-ICT AND SHALL NOT BE REPRODUCED, COPIED OR CUED IN ANY MANNER WITHOUT THE PRIOR WRITTEN CONSENT OF LUXSHARE-ICT

ROHS CA65



Caution: Risk of Fire and Burns. Do Not Open, Crush, Heat Above 40°C or Incinerate. Follow Manufacturer's Instructions.

Product: Power Bank
Model: WIAWHT100097966
Input: 5V=3A, 9V=2.22A
Output: USB-C 5V=3A, 9V=2A
Output Wireless: 15W Max.
Output Total: 15W Max.
FCC ID: 2APXNLAGP011
Battery Rating: 4000mAh/3.85V DC, 15.4Wh
Power Bank Capacity for each port:
Type-C:5VDC 2300mAh, 9VDC 800mAh



变更位置

Product: Power Bank
Model: WIAWHT100097966
Input: 5V=3A, 9V=2.22A
Output: USB-C 5V=3A, 9V=2A
Output Wireless: 15W Max.
Output Total: 15W Max.
FCC ID: 2APXNLAGP011
Battery Rating: 4000mAh/3.85V DC, 15.4Wh
Power Bank Capacity for each port:
Type-C:5VDC 2300mAh, 9VDC 800mAh



CONFORMS TO UL STD 8800 CERTIFIED TO CSA STD C22.2 NO.2885-1



Intertek 507534

Caution: Risk of Fire and Burns. Do Not Open, Crush, Heat Above 40°C or Incinerate. Follow Manufacturer's Instructions.

This device complies with part 15 of the FCC Rules. Operation is subject to the following two conditions:
(1) this device may not cause harmful interference, and
(2) this device must accept any interference received, including interference that may cause undesired operation.

印字工艺: 丝印

比例: 1:2

字高: 1.2mm

颜色: 冷灰 430C

镭雕:

22XXA

厂商代码 (固定)

周别 (随生产的周别变动而变动)

年份

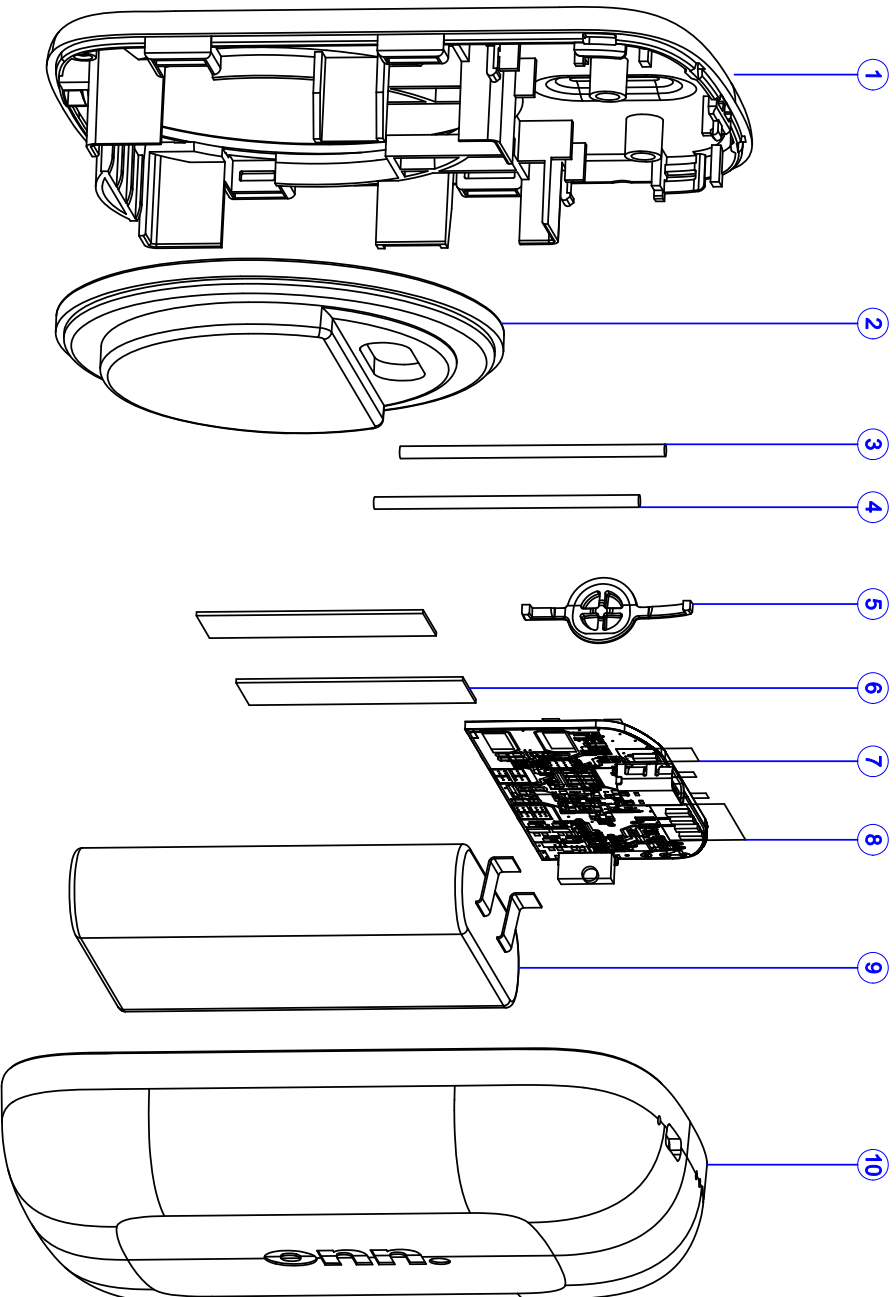
X.±1	X.°±1
.X±0.3	X°±0.5
.XX±0.20	.XX°±0.3
.XXX±0.100	.XXX°±0.1
UNITS:	mm

THESE DRAWINGS AND SPECIFICATIONS ARE THE PROPERTY OF LUXSHARE-ICT AND SHALL NOT BE REPRODUCED, COPIED OR CUED IN ANY MANNER WITHOUT THE PRIOR WRITTEN CONSENT OF LUXSHARE-ICT

Customer P/N: WIAWHT100097966	Customer REV.: D87
PART NO. L3TPB003-CS-R1	APPD: XIONGWU Li
	CHKD: DUWEN XIAO
	DRAW: HUI WANG

TITLE: LACFP011充电宝磁吸 4000mAh C222 白色 (无包材)	
DWG NO: RDS2209087	SCALE SHEET REV. 1:2 2/4 A2

RoHS CA65



ITEM	NAME	DESCRIPTION	QTY	UNIT
⑩	底座	塑壳-充电宝底座-PC-白-V0-89*66*18.85-丝印-R+CA65	1	pcs
⑨	电芯	1 电池-124452-3.85V-14mm极耳-背青裸纸-永邦-新配方-R	1	pcs
⑧	NTC	NTC,D,1.5*100,10KΩ,1%,R,B=3380,GCE	1	pcs
⑦	PCBA	LACP011充电宝磁吸 4000mAh C222 白色 (SMT)	1	pcs
⑥	泡棉	泡棉-EVA-40*10*1-双面背胶-R	2	pcs
⑤	按键	塑壳-按键-PC-白-V0-22.7*9.2*3.8-R-CA65	1	pcs
④	黑线	WIRE-雄新-JL3123-22AWG-特软硅胶-黑-OD1.6mm-R	1	pcs
③	红线	WIRE-雄新-JL3123-22AWG-特软硅胶-红-OD1.6mm-R	1	pcs
②	C222模组	AVNET-Magsafe charge模组,MFI618-00016	1	pcs
①	面盖	塑壳-充电宝面盖-PC-白-V0-89*66*17.1-R+CA65	1	pcs

X.±1	X.±1
.X±0.3	X°±0.5
.XX±0.20	.XX°±0.3
.XXX±0.100	.XXX°±0.1

UNITS: mm

Customer P/N: WIAWHT100097966
 Customer REV.: D87

PART NO. L3TPB003-CS-R1

APPD: XIONGWU Li
 CHKD: DUWEN XIAO
 DRAW: HUI WANG

LUXSHARE-ICT

TITLE: LACP011充电宝磁吸 4000mAh
 C222 白色 (无包材)

DWG NO: RDS2209087

SCALE: 1:2
 SHEET: 3/4
 REV: A2

A

B

C

D

E

A

B

C

D

E


8 7 6 5 4 3 2 1

ROHS CA65

NOTES:(注释)

- Appearance should comply with customer standard document and the content should comply with drawing.
外观依照厂内外观标准文件、高低级及断差、内容应符合图纸。
- Mechanical Test(机械测试):
 - Unit drop: falls freely at the height of 100cm on the cement floor, once on each surface, 6 times, no crack on enclosure and no damage of electrical function
单体跌落:高度100cm自由跌落于水泥地板, 每个面一次, 跌落6次,外壳无开裂, 电性正常
 - Sunscreen Testing: Apply sunscreen on the surface of the plastic shell and leave it at room temperature for 72 hours .Normal electrical properties & mechanical structure, no cracking of the shell and other defects
防晒油测试: 产品塑胶外壳表面整体涂上防晒油, 室温下放置72小时,电性能及机械结构正常、外壳无开裂等不
 - Type-c plug endurance: total 10000 times at the speed of 500 times /H. After the test ,no electrical failure, and the insertion and extraction force should be within 8-25N
Type-c插拔耐久:以速度500次/H按插10000次,测试后产品电性接触正常、无明显损伤, 测试前后插拔力在$25N$内且需检查接触端子是否有磨损;
 - Switch key life test: 50000 cycles;500g force, speed: 60 times/min, Function test before and after the key/switch cycle test -- confirm the function and vitality of the key without sticking /falling off.
开关按键寿命测试: 50000次循环;500g力, 速度: 60次/分, 在进行按键/开关循环测试前/后进行功能测试,确认按键的功能和活力按键无卡死/脱落。
- Environmental Test(环境测试):
 - Inner box or color box for high and low temperature storage: keep the temperature at -40℃ for 23 minutes, and then keep it is 85℃ for 23 minutes, go through 50 cycles, placed at room temperature for 1H, the product can work normally, and have no appearance defect such as enclosure melting.
内箱或彩盒高低温存储:环境温度-40℃/23分钟, 温度85℃/23分钟, 循环50个周期, 常温放置1H, 产品通电可以正常工作及不允许出现外壳落胶等外观不良。
 - High temperature and humidity:
 - The test temperature was 40°/45 ° C and the humidity was 93%RH
2.no-load, work for 72H, the product can work normally. It is not allowed to have appearance defects such as enclosure melting.
 - Discharge: the output band is full load, the product power is discharged from 100% to 0%
 - Number of cycles: 5 cycles, charging and discharging once for a cycle
高温高湿:
 - 试验温度40°/45℃两种条件摸底,湿度 93%RH
 - 放电: 输出带满载, 产品电量从100%放至0%。

- 充电: 输入电压5Vdc, 产品电量从0%充满至100%。
4.循环次数: 5个周期, 充放电一次为一个周期。
3.3.High low temperature work: Flowcase products are first stored at -20℃ for 8H, then at room temperature for 2H, and finally at 60℃ for 8H, Color box, no deformation, no warping label phenomenon
高低温工作:整箱产品在-20℃存放8H, 再室温下存放2H, 最后在60℃存放8H,彩盒、吸塑无变形、标签无起翘现象;
- Salt spray test: the sodium chloride solution with a concentration of 5% is automatically sprayed for 24 hours after the salt spray test, and the test is started after 4H at room temperature. After the completion of the test, clean it with clean water and let it dry naturally and there should be no corrosion,rust or other abnormal phenomena.
盐雾测试:5%浓度的氯化钠溶液,经盐雾试验自动喷雾24小时, 室温放置4H后开始检测。测试完成后用清水清洗, 自然晾干无腐蚀, 生锈等异常现象
- Other Electrical and aging test project shall be implemented in accordance with 《L3TPB003-CS-R1》 product specification;
其它电气以及老化测试项目依照《L3TPB003-CS-R1》产品规格书执行
- The battery capacity remains more than 80% after 300 circulations.
电池容量在300次循环后仍保持80%以上。
- The battery level when ex-factory should be 50%~75% to make sure that the power bank have power when hitting the store.
海运出货:出厂时电池电量应在50%~75%之间, 以确保到店时电源还有电。
- But if the order needs to be air shipped, the battery level should be no more than 30% due to aircraft's regulation.
空运出货: 如果订单需要空运, 由于飞机规定, 电池电量不应超过30%。
8.Dimensions marked with 'X', shall be carefully checked
標有 'X' 的尺寸必須重點檢核
9.All applicable materials and process must comply with document QW-Q-043 -ROHS2.0
本产品所用物料及制程必须符合:QW-Q-043环境物质管理规定-ROHS2.0

$X \pm 1$	$X \pm 1$	Customer P/N: WIAWHT100097966 Customer REV.: D87	TITLE: LUXSHARE-ICT C222 白色(无包材)	DWG NO: RDS2209087
$XX \pm 0.3$	$X \pm 0.5$			
$XX \pm 0.20$	$XX \pm 0.3$	PART NO. L3TPB003-CS-R1	APPD: XIONGWU LI	CHKD: DUWEN XIAO
$XXX \pm 0.100$	$XXX \pm 0.1$			
UNITS:	mm	DRAW: HUI WANG		SCALE SHEET REV. 1:2 4/4 A2
THESE DRAWINGS AND SPECIFICATIONS ARE THE PROPERTY OF LUXSHARE-ICT AND SHALL NOT BE REPRODUCED, COPIED OR CUED IN ANY MANNER WITHOUT THE PRIOR WRITTEN CONSENT OF LUXSHARE-ICT				

E	8	7	6	5	4	3	2	1
D	<p>1. Appearance should comply with customer standard document and the content should comply with drawing. 外观依照厂内外观标准文件、高低级及断差、内容应符合图纸。</p> <p>2.Mechanical Test(机械测试):</p> <ol style="list-style-type: none"> Unit drop: falls freely at the height of 100cm on the cement floor, once on each surface, 6 times, no crack on enclosure and no damage of electrical function 单体跌落:高度100cm自由跌落于水泥地板, 每个面一次, 跌落6次,外壳无开裂, 电性正常 Sunscreen Testing: Apply sunscreen on the surface of the plastic shell and leave it at room temperature for 72 hours .Normal electrical properties & mechanical structure, no cracking of the shell and other defects 防晒油测试: 产品塑胶外壳表面整体涂上防晒油, 室温下放置72小时,电性能及机械结构正常、外壳无开裂等不 Type-c plug endurance: total 10000 times at the speed of 500 times /H. After the test ,no electrical failure, and the insertion and extraction force should be within 8-25N Type-c插拔耐久:以速度500次/H按插10000次,测试后产品电性接触正常、无明显损伤, 测试前后插拔力在<math>25N</math>内且需检查接触端子是否有磨损; Switch key life test: 50000 cycles;500g force, speed: 60 times/min, Function test before and after the key/switch cycle test -- confirm the function and vitality of the key without sticking /falling off. 开关按键寿命测试: 50000次循环;500g力, 速度: 60次/分, 在进行按键/开关循环测试前/后进行功能测试,确认按键的功能和活力按键无卡死/脱落。 <p>3.Environmental Test(环境测试):</p> <ol style="list-style-type: none"> Inner box or color box for high and low temperature storage: keep the temperature at -40℃ for 23 minutes, and then keep it is 85℃ for 23 minutes, go through 50 cycles, placed at room temperature for 1H, the product can work normally, and have no appearance defect such as enclosure melting. 内箱或彩盒高低温存储:环境温度-40℃/23分钟, 温度85℃/23分钟, 循环50个周期, 常温放置1H, 产品通电可以正常工作及不允许出现外壳落胶等外观不良。 High temperature and humidity: <ol style="list-style-type: none"> The test temperature was 40°/45 ° C and the humidity was 93%RH 2.no-load, work for 72H, the product can work normally. It is not allowed to have appearance defects such as enclosure melting. Discharge: the output band is full load, the product power is discharged from 100% to 0% Number of cycles: 5 cycles, charging and discharging once for a cycle 高温高湿: <ol style="list-style-type: none"> 试验温度40°/45℃两种条件摸底,湿度 93%RH 放电: 输出带满载, 产品电量从100%放至0%。 <p>3. 充电: 输入电压5Vdc, 产品电量从0%充满至100%。 4.循环次数: 5个周期, 充放电一次为一个周期。 3.3.High low temperature work: Flowcase products are first stored at -20℃ for 8H, then at room temperature for 2H, and finally at 60℃ for 8H, Color box, no deformation, no warping label phenomenon 高低温工作:整箱产品在-20℃存放8H, 再室温下存放2H, 最后在60℃存放8H,彩盒、吸塑无变形、标签无起翘现象;</p> <p>3.4. Salt spray test: the sodium chloride solution with a concentration of 5% is automatically sprayed for 24 hours after the salt spray test, and the test is started after 4H at room temperature. After the completion of the test, clean it with clean water and let it dry naturally and there should be no corrosion,rust or other abnormal phenomena. 盐雾测试:5%浓度的氯化钠溶液,经盐雾试验自动喷雾24小时, 室温放置4H后开始检测。测试完成后用清水清洗, 自然晾干无腐蚀, 生锈等异常现象</p> <p>4. Other Electrical and aging test project shall be implemented in accordance with 《L3TPB003-CS-R1》 product specification; 其它电气以及老化测试项目依照《L3TPB003-CS-R1》产品规格书执行</p> <p>5.The battery capacity remains more than 80% after 300 circulations. 电池容量在300次循环后仍保持80%以上。</p> <p>6.The battery level when ex-factory should be 50%~75% to make sure that the power bank have power when hitting the store. 海运出货:出厂时电池电量应在50%~75%之间, 以确保到店时电源还有电。</p> <p>7.But if the order needs to be air shipped, the battery level should be no more than 30% due to aircraft's regulation. 空运出货: 如果订单需要空运, 由于飞机规定, 电池电量不应超过30%。 8.Dimensions marked with 'X', shall be carefully checked 標有 'X' 的尺寸必須重點檢核 9.All applicable materials and process must comply with document QW-Q-043 -ROHS2.0 本产品所用物料及制程必须符合:QW-Q-043环境物质管理规定-ROHS2.0</p>							
C	<p>1. Appearance should comply with customer standard document and the content should comply with drawing. 外观依照厂内外观标准文件、高低级及断差、内容应符合图纸。</p> <p>2.Mechanical Test(机械测试):</p> <ol style="list-style-type: none"> Unit drop: falls freely at the height of 100cm on the cement floor, once on each surface, 6 times, no crack on enclosure and no damage of electrical function 单体跌落:高度100cm自由跌落于水泥地板, 每个面一次, 跌落6次,外壳无开裂, 电性正常 Sunscreen Testing: Apply sunscreen on the surface of the plastic shell and leave it at room temperature for 72 hours .Normal electrical properties & mechanical structure, no cracking of the shell and other defects 防晒油测试: 产品塑胶外壳表面整体涂上防晒油, 室温下放置72小时,电性能及机械结构正常、外壳无开裂等不 Type-c plug endurance: total 10000 times at the speed of 500 times /H. After the test ,no electrical failure, and the insertion and extraction force should be within 8-25N Type-c插拔耐久:以速度500次/H按插10000次,测试后产品电性接触正常、无明显损伤, 测试前后插拔力在<math>25N</math>内且需检查接触端子是否有磨损; Switch key life test: 50000 cycles;500g force, speed: 60 times/min, Function test before and after the key/switch cycle test -- confirm the function and vitality of the key without sticking /falling off. 开关按键寿命测试: 50000次循环;500g力, 速度: 60次/分, 在进行按键/开关循环测试前/后进行功能测试,确认按键的功能和活力按键无卡死/脱落。 <p>3.Environmental Test(环境测试):</p> <ol style="list-style-type: none"> Inner box or color box for high and low temperature storage: keep the temperature at -40℃ for 23 minutes, and then keep it is 85℃ for 23 minutes, go through 50 cycles, placed at room temperature for 1H, the product can work normally, and have no appearance defect such as enclosure melting. 内箱或彩盒高低温存储:环境温度-40℃/23分钟, 温度85℃/23分钟, 循环50个周期, 常温放置1H, 产品通电可以正常工作及不允许出现外壳落胶等外观不良。 High temperature and humidity: <ol style="list-style-type: none"> The test temperature was 40°/45 ° C and the humidity was 93%RH 2.no-load, work for 72H, the product can work normally. It is not allowed to have appearance defects such as enclosure melting. Discharge: the output band is full load, the product power is discharged from 100% to 0% Number of cycles: 5 cycles, charging and discharging once for a cycle 高温高湿: <ol style="list-style-type: none"> 试验温度40°/45℃两种条件摸底,湿度 93%RH 放电: 输出带满载, 产品电量从100%放至0%。 <p>3. 充电: 输入电压5Vdc, 产品电量从0%充满至100%。 4.循环次数: 5个周期, 充放电一次为一个周期。 3.3.High low temperature work: Flowcase products are first stored at -20℃ for 8H, then at room temperature for 2H, and finally at 60℃ for 8H, Color box, no deformation, no warping label phenomenon 高低温工作:整箱产品在-20℃存放8H, 再室温下存放2H, 最后在60℃存放8H,彩盒、吸塑无变形、标签无起翘现象;</p> <p>3.4. Salt spray test: the sodium chloride solution with a concentration of 5% is automatically sprayed for 24 hours after the salt spray test, and the test is started after 4H at room temperature. After the completion of the test, clean it with clean water and let it dry naturally and there should be no corrosion,rust or other abnormal phenomena. 盐雾测试:5%浓度的氯化钠溶液,经盐雾试验自动喷雾24小时, 室温放置4H后开始检测。测试完成后用清水清洗, 自然晾干无腐蚀, 生锈等异常现象</p> <p>4. Other Electrical and aging test project shall be implemented in accordance with 《L3TPB003-CS-R1》 product specification; 其它电气以及老化测试项目依照《L3TPB003-CS-R1》产品规格书执行</p> <p>5.The battery capacity remains more than 80% after 300 circulations. 电池容量在300次循环后仍保持80%以上。</p> <p>6.The battery level when ex-factory should be 50%~75% to make sure that the power bank have power when hitting the store. 海运出货:出厂时电池电量应在50%~75%之间, 以确保到店时电源还有电。</p> <p>7.But if the order needs to be air shipped, the battery level should be no more than 30% due to aircraft's regulation. 空运出货: 如果订单需要空运, 由于飞机规定, 电池电量不应超过30%。 8.Dimensions marked with 'X', shall be carefully checked 標有 'X' 的尺寸必須重點檢核 9.All applicable materials and process must comply with document QW-Q-043 -ROHS2.0 本产品所用物料及制程必须符合:QW-Q-043环境物质管理规定-ROHS2.0</p>							
B	<p>1. Appearance should comply with customer standard document and the content should comply with drawing. 外观依照厂内外观标准文件、高低级及断差、内容应符合图纸。</p> <p>2.Mechanical Test(机械测试):</p> <ol style="list-style-type: none"> Unit drop: falls freely at the height of 100cm on the cement floor, once on each surface, 6 times, no crack on enclosure and no damage of electrical function 单体跌落:高度100cm自由跌落于水泥地板, 每个面一次, 跌落6次,外壳无开裂, 电性正常 Sunscreen Testing: Apply sunscreen on the surface of the plastic shell and leave it at room temperature for 72 hours .Normal electrical properties & mechanical structure, no cracking of the shell and other defects 防晒油测试: 产品塑胶外壳表面整体涂上防晒油, 室温下放置72小时,电性能及机械结构正常、外壳无开裂等不 Type-c plug endurance: total 10000 times at the speed of 500 times /H. After the test ,no electrical failure, and the insertion and extraction force should be within 8-25N Type-c插拔耐久:以速度500次/H按插10000次,测试后产品电性接触正常、无明显损伤, 测试前后插拔力在<math>25N</math>内且需检查接触端子是否有磨损; Switch key life test: 50000 cycles;500g force, speed: 60 times/min, Function test before and after the key/switch cycle test -- confirm the function and vitality of the key without sticking /falling off. 开关按键寿命测试: 50000次循环;500g力, 速度: 60次/分, 在进行按键/开关循环测试前/后进行功能测试,确认按键的功能和活力按键无卡死/脱落。 <p>3.Environmental Test(环境测试):</p> <ol style="list-style-type: none"> Inner box or color box for high and low temperature storage: keep the temperature at -40℃ for 23 minutes, and then keep it is 85℃ for 23 minutes, go through 50 cycles, placed at room temperature for 1H, the product can work normally, and have no appearance defect such as enclosure melting. 内箱或彩盒高低温存储:环境温度-40℃/23分钟, 温度85℃/23分钟, 循环50个周期, 常温放置1H, 产品通电可以正常工作及不允许出现外壳落胶等外观不良。 High temperature and humidity: <ol style="list-style-type: none"> The test temperature was 40°/45 ° C and the humidity was 93%RH 2.no-load, work for 72H, the product can work normally. It is not allowed to have appearance defects such as enclosure melting. Discharge: the output band is full load, the product power is discharged from 100% to 0% Number of cycles: 5 cycles, charging and discharging once for a cycle 高温高湿: <ol style="list-style-type: none"> 试验温度40°/45℃两种条件摸底,湿度 93%RH 放电: 输出带满载, 产品电量从100%放至0%。 <p>3. 充电: 输入电压5Vdc, 产品电量从0%充满至100%。 4.循环次数: 5个周期, 充放电一次为一个周期。 3.3.High low temperature work: Flowcase products are first stored at -20℃ for 8H, then at room temperature for 2H, and finally at 60℃ for 8H, Color box, no deformation, no warping label phenomenon 高低温工作:整箱产品在-20℃存放8H, 再室温下存放2H, 最后在60℃存放8H,彩盒、吸塑无变形、标签无起翘现象;</p> <p>3.4. Salt spray test: the sodium chloride solution with a concentration of 5% is automatically sprayed for 24 hours after the salt spray test, and the test is started after 4H at room temperature. After the completion of the test, clean it with clean water and let it dry naturally and there should be no corrosion,rust or other abnormal phenomena. 盐雾测试:5%浓度的氯化钠溶液,经盐雾试验自动喷雾24小时, 室温放置4H后开始检测。测试完成后用清水清洗, 自然晾干无腐蚀, 生锈等异常现象</p> <p>4. Other Electrical and aging test project shall be implemented in accordance with 《L3TPB003-CS-R1》 product specification; 其它电气以及老化测试项目依照《L3TPB003-CS-R1》产品规格书执行</p> <p>5.The battery capacity remains more than 80% after 300 circulations. 电池容量在300次循环后仍保持80%以上。</p> <p>6.The battery level when ex-factory should be 50%~75% to make sure that the power bank have power when hitting the store. 海运出货:出厂时电池电量应在50%~75%之间, 以确保到店时电源还有电。</p> <p>7.But if the order needs to be air shipped, the battery level should be no more than 30% due to aircraft's regulation. 空运出货: 如果订单需要空运, 由于飞机规定, 电池电量不应超过30%。 8.Dimensions marked with 'X', shall be carefully checked 標有 'X' 的尺寸必須重點檢核 9.All applicable materials and process must comply with document QW-Q-043 -ROHS2.0 本产品所用物料及制程必须符合:QW-Q-043环境物质管理规定-ROHS2.0</p>							
A	<p>1. Appearance should comply with customer standard document and the content should comply with drawing. 外观依照厂内外观标准文件、高低级及断差、内容应符合图纸。</p> <p>2.Mechanical Test(机械测试):</p> <ol style="list-style-type: none"> Unit drop: falls freely at the height of 100cm on the cement floor, once on each surface, 6 times, no crack on enclosure and no damage of electrical function 单体跌落:高度100cm自由跌落于水泥地板, 每个面一次, 跌落6次,外壳无开裂, 电性正常 Sunscreen Testing: Apply sunscreen on the surface of the plastic shell and leave it at room temperature for 72 hours .Normal electrical properties & mechanical structure, no cracking of the shell and other defects 防晒油测试: 产品塑胶外壳表面整体涂上防晒油, 室温下放置72小时,电性能及机械结构正常、外壳无开裂等不 Type-c plug endurance: total 10000 times at the speed of 500 times /H. After the test ,no electrical failure, and the insertion and extraction force should be within 8-25N Type-c插拔耐久:以速度500次/H按插10000次,测试后产品电性接触正常、无明显损伤, 测试前后插拔力在<math>25N</math>内且需检查接触端子是否有磨损; Switch key life test: 50000 cycles;500g force, speed: 60 times/min, Function test before and after the key/switch cycle test -- confirm the function and vitality of the key without sticking /falling off. 开关按键寿命测试: 50000次循环;500g力, 速度: 60次/分, 在进行按键/开关循环测试前/后进行功能测试,确认按键的功能和活力按键无卡死/脱落。 <p>3.Environmental Test(环境测试):</p> <ol style="list-style-type: none"> Inner box or color box for high and low temperature storage: keep the temperature at -40℃ for 23 minutes, and then keep it is 85℃ for 23 minutes, go through 50 cycles, placed at room temperature for 1H, the product can work normally, and have no appearance defect such as enclosure melting. 内箱或彩盒高低温存储:环境温度-40℃/23分钟, 温度85℃/23分钟, 循环50个周期, 常温放置1H, 产品通电可以正常工作及不允许出现外壳落胶等外观不良。 High temperature and humidity: <ol style="list-style-type: none"> The test temperature was 40°/45 ° C and the humidity was 93%RH 2.no-load, work for 72H, the product can work normally. It is not allowed to have appearance defects such as enclosure melting. Discharge: the output band is full load, the product power is discharged from 100% to 0% Number of cycles: 5 cycles, charging and discharging once for a cycle 高温高湿: <ol style="list-style-type: none"> 试验温度40°/45℃两种条件摸底,湿度 93%RH 放电: 输出带满载, 产品电量从100%放至0%。 <p>3. 充电: 输入电压5Vdc, 产品电量从0%充满至100%。 4.循环次数: 5个周期, 充放电一次为一个周期。 3.3.High low temperature work: Flowcase products are first stored at -20℃ for 8H, then at room temperature for 2H, and finally at 60℃ for 8H, Color box, no deformation, no warping label phenomenon 高低温工作:整箱产品在-20℃存放8H, 再室温下存放2H, 最后在60℃存放8H,彩盒、吸塑无变形、标签无起翘现象;</p> <p>3.4. Salt spray test: the sodium chloride solution with a concentration of 5% is automatically sprayed for 24 hours after the salt spray test, and the test is started after 4H at room temperature. After the completion of the test, clean it with clean water and let it dry naturally and there should be no corrosion,rust or other abnormal phenomena. 盐雾测试:5%浓度的氯化钠溶液,经盐雾试验自动喷雾24小时, 室温放置4H后开始检测。测试完成后用清水清洗, 自然晾干无腐蚀, 生锈等异常现象</p> <p>4. Other Electrical and aging test project shall be implemented in accordance with 《L3TPB003-CS-R1》 product specification; 其它电气以及老化测试项目依照《L3TPB003-CS-R1》产品规格书执行</p> <p>5.The battery capacity remains more than 80% after 300 circulations. 电池容量在300次循环后仍保持80%以上。</p> <p>6.The battery level when ex-factory should be 50%~75% to make sure that the power bank have power when hitting the store. 海运出货:出厂时电池电量应在50%~75%之间, 以确保到店时电源还有电。</p> <p>7.But if the order needs to be air shipped, the battery level should be no more than 30% due to aircraft's regulation. 空运出货: 如果订单需要空运, 由于飞机规定, 电池电量不应超过30%。 8.Dimensions marked with 'X', shall be carefully checked 標有 'X' 的尺寸必須重點檢核 9.All applicable materials and process must comply with document QW-Q-043 -ROHS2.0 本产品所用物料及制程必须符合:QW-Q-043环境物质管理规定-ROHS2.0</p>							