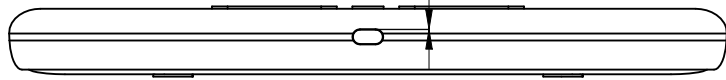
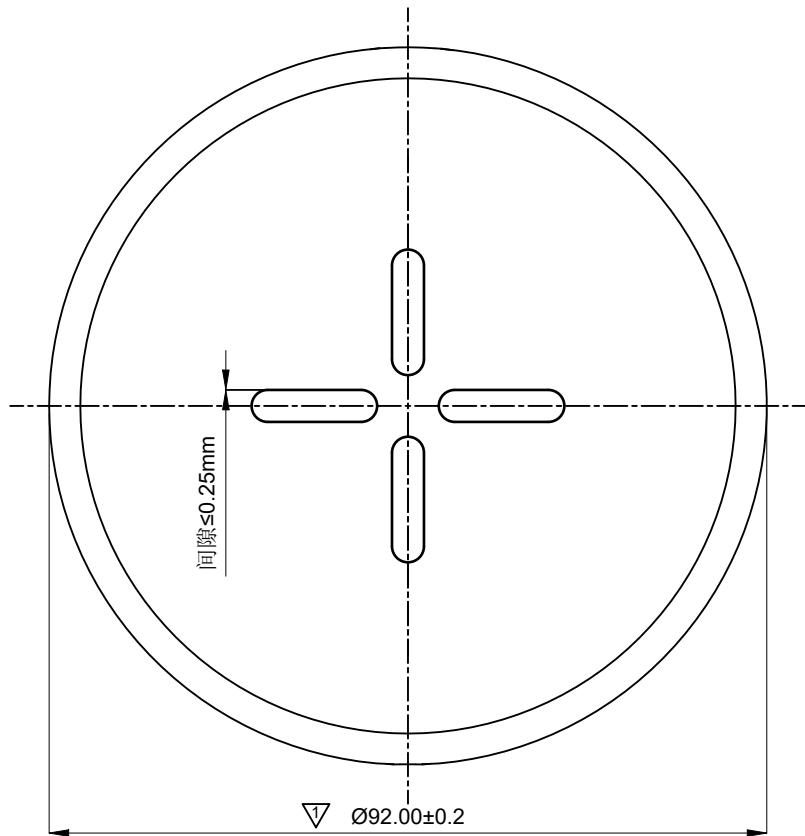


RoHS

REV.	DESCRIPTION	DESIGN	APPROVAL	DATE
A1	NEW DRAWING	XIN LIU	XIONGWU LI	2024.01.29

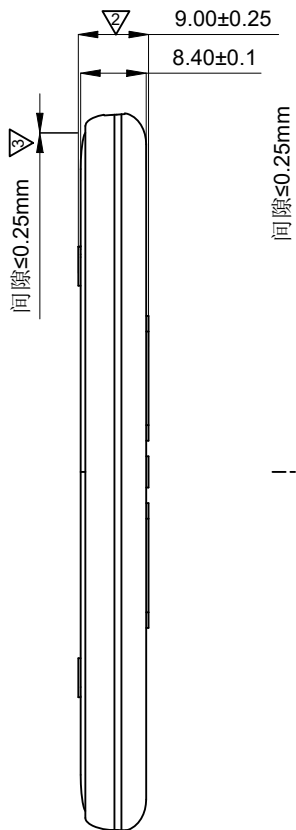


间隙≤0.2mm



间隙≤0.25mm

∅92.00±0.2

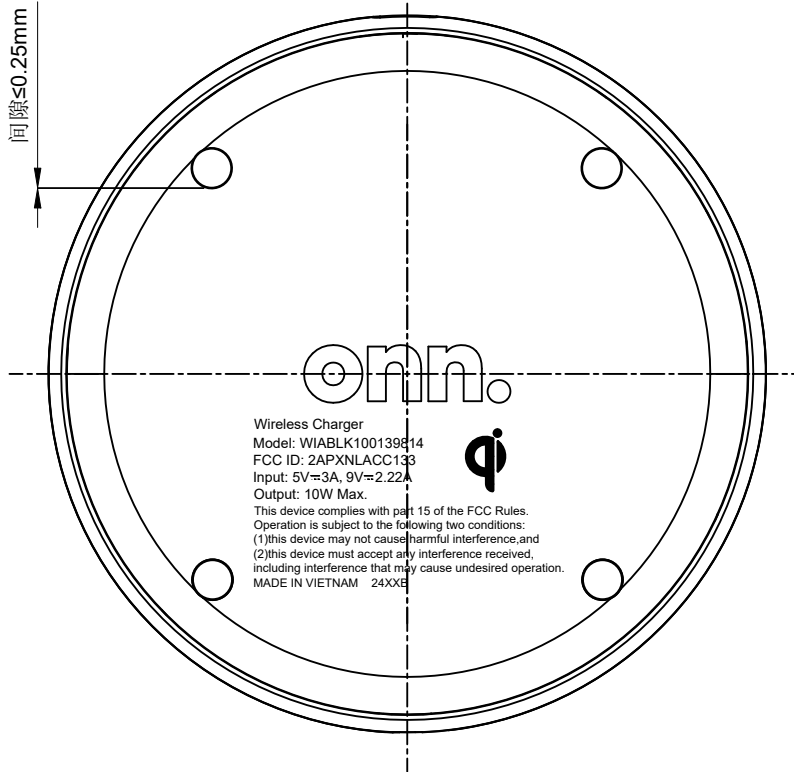


9.00±0.25

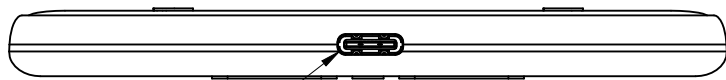
8.40±0.1

间隙≤0.25mm

间隙≤0.25mm



Wireless Charger
 Model: WIABLK100139814
 FCC ID: 2APXNLACC133
 Input: 5V=3A, 9V=2.22A
 Output: 10W Max.
 This device complies with part 15 of the FCC Rules.
 Operation is subject to the following two conditions:
 (1) this device may not cause harmful interference, and
 (2) this device must accept any interference received,
 including interference that may cause undesired operation.
 MADE IN VIETNAM 24XXE



胶芯颜色: 黑色
 相对胶框口偏位置: 上下≤0.2mm, 左右≤0.2mm

X.± 0.3	X.°±0.3
.X± 0.15	.X°±0.2
.XX± 0.1	.XX°±0.1
.XXX± 0.05	.XXX°±0.05
UNITS:	mm

THESE DRAWINGS AND SPECIFICATIONS ARE THE PROPERTY OF LUXSHARE-TECH AND SHALL NOT BE REPRODUCED, COPIED OR CUED IN ANY MANNER WITHOUT THE PRIOR WRITTEN CONSENT OF LUXSHARE-TECH

Customer P/N: WIABLK100139814
 Customer REV.: *

TITLE:
L3TWC414-CS-R1

APPD: XIONGWU LI

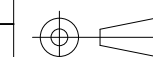
CHKD: SHUIPING ZHOU

DRAW: XIN LIU

LUXSHARE-TECH

SUPPLIER P/N: *
LACC133无线充10W黑色 (VN) (无包材)

DWG NO:
-



SCALE	SHEET	REV.
1:1	1/4	A1

8
7
6
5
4
3
2
1

RoHS

工艺: 丝印
字体: Arial
字高: 1.1mm
颜色: PMS430C

Wireless Charger

Model: WIABLK100139814

FCC ID: 2APXNLACC133

Input: 5V=3A, 9V=2.22A

Output: 10W Max.

This device complies with part 15 of the FCC Rules.
Operation is subject to the following two conditions:
(1) this device may not cause harmful interference, and
(2) this device must accept any interference received,
including interference that may cause undesired operation.

MADE IN VIETNAM 24XXB

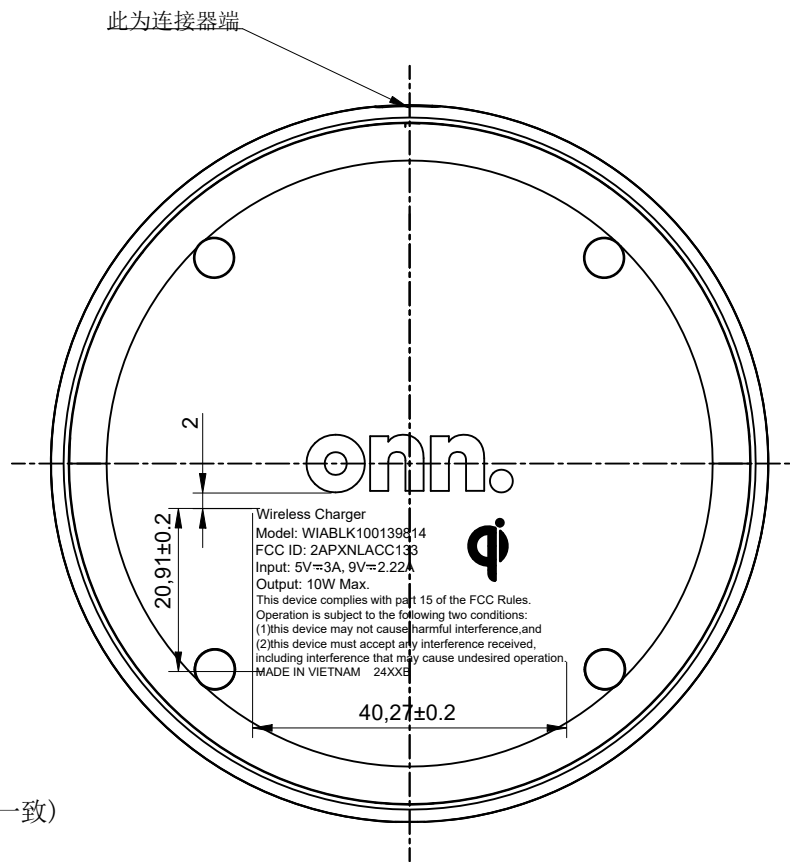
工厂代码
生产周别
生产年份

注: 周别按生产的周别变动而变动(无线充, 彩合镭雕一致)

例: 2401B
2402B
2403B

以此类推

3. 颜色: 依签样, 字体: Arial, 字高: 1.1mm



X.± 0.3	X.°±0.3
.X± 0.15	.X°±0.2
.XX± 0.1	.XX°±0.1
.XXX± 0.05	.XXX°±0.05
UNITS:	mm

THESE DRAWINGS AND SPECIFICATIONS ARE THE PROPERTY OF LUXSHARE-TECH AND SHALL NOT BE REPRODUCED, COPIED OR CUED IN ANY MANNER WITHOUT THE PRIOR WRITTEN CONSENT OF LUXSHARE-TECH

Customer P/N: WIABLK100139814
Customer REV.: *

TITLE:
L3TWC414-CS-R1

APPD: XIONGWU LI
CHKD: SHUIPING ZHOU
DRAW: XIN LIU

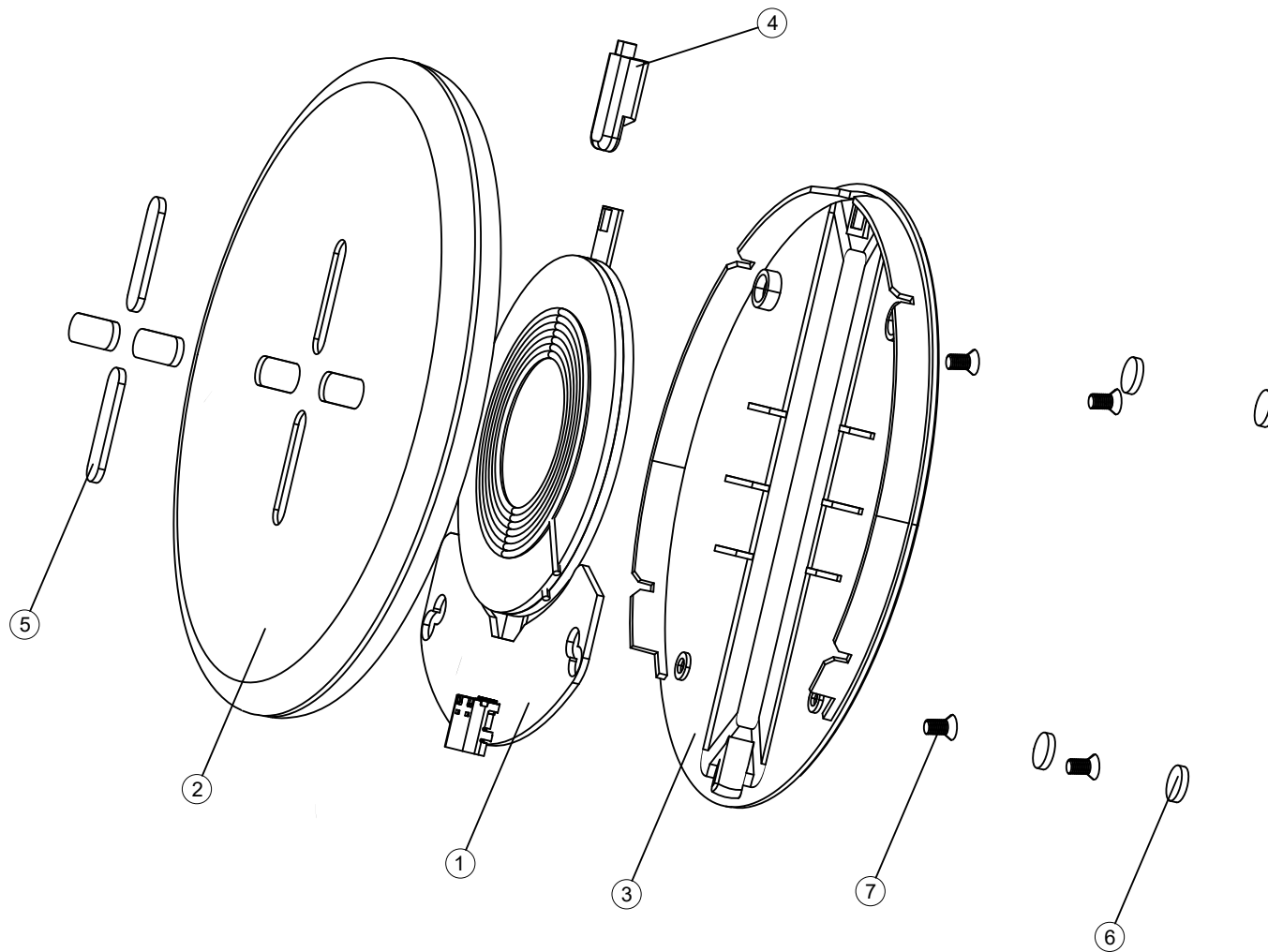
LUXSHARE-TECH

SUPPLIER P/N: *
LACC133无线充10W黑色 (VN) (无包材)

DWG NO:
-

SCALE	SHEET	REV.
1:1	2/4	A1

RoHS



⑦	螺丝	*螺丝-C1010-P-A-+镀镍-M2*4-HF	4	pcs
⑥	防滑垫	*硅胶件-防滑垫-圆型-黑色-5.0*1.0-R	4	pcs
⑤	防滑垫	硅胶件-防滑垫-橡胶-黑-4*16*1-单面背胶-纹面VDI-24-R	4	pcs
④	导光柱	塑壳-导光柱-PC-半透明-V0-15*6*4.1-雾面-11P	1	pcs
③	底盖	塑壳-无线充-底盖-PC-黑-V0-φ87.2*6.5-US-R	1	pcs
②	主壳	塑壳-无线充-主壳-PC-黑-V0-φ92*7.8-R	1	pcs
①	PCBA	LACC133无线充10W主板(劲芯微)主板/灯板(SMT)	1	pcs
ITEM	NAME	DESCRIPTION	Q'TY	UNIT

$X \pm 0.3$	$X^\circ \pm 0.3$
$.X \pm 0.15$	$.X^\circ \pm 0.2$
$.XX \pm 0.1$	$.XX^\circ \pm 0.1$
$.XXX \pm 0.05$	$.XXX^\circ \pm 0.05$
UNITS:	mm

Customer P/N: WIABLK100139814
Customer REV.: *
TITLE: L3TWC414-CS-R1
APPD: XIONGWU LI
CHKD: SHUIPING ZHOU
DRAW: XIN LIU

LUXSHARE-TECH		
SUPPLIER P/N: *		
LACC133无线充10W黑色(VN)(无包材)		
DWG NO: -		
	SCALE	SHEET
NONE	3/4	REV. A1

THESE DRAWINGS AND SPECIFICATIONS ARE THE PROPERTY OF LUXSHARE-TECH AND SHALL NOT BE REPRODUCED, COPIED OR CUED IN ANY MANNER WITHOUT THE PRIOR WRITTEN CONSENT OF LUXSHARE-TECH

RoHS

NOTES:(注解)

- Appearance shall be inspected in accordance with the 《AEQW-QA-012 Charger finished product inspection standard》 and the content should comply with drawing.
外观依《AEQW-QA-012 Charger成品检验标准》检验、内容应符合图纸。
- Mechanical Test(机械测试):
 - Unit drop: falls freely on the cement floor at the height of 100cm, once each surface, 6 times, no cracking on enclosure, no electrical failure.
单体跌落:高度100cm自由跌落于水泥地板,每个面一次,跌落6次,外壳无开裂,电性正常
 - Tumbling test : 200 times from the height of 50 cm,15times/Min,After the test ,the housing has no crack and the electrical function keeps normal.
滚筒测试:高度50cm, 200次, 15次/min,外壳无开裂,电性正常
 - Type C-USB insertion and withdrawal durability: at the speed of 200 times /H, 10000 times of extraction and insertion, one time back and forth. After the test, the electrical function of the product is normal, and the extraction force before and after the test is no less than 8N.
Type C-USB插拔耐久:以速度200次/H, 拔插10000次,来回算一次,测试后产品电性接触正常,测试前后拔出力不小于8N
- Environmental test(环境测试):
 - Inner box or color box for high and low temperature storage: keep the temperature at -40℃ for 23 minutes, and then keep it is 85℃ for 23 minutes, go through 50 cycles, placed at room temperature for 1H, the product can work normally, and have no appearance defect such as enclosure melting or glass, anti slip ring warped.
内箱或彩盒高低温存储:环境温度-40℃/23分钟, 温度85℃/23分钟, 循环50个周期, 常温放置1H,产品通电可以正常工作及不允许出现外壳溶胶,玻璃、防滑垫翘起等外观不良。
 - High temperature and humidity: Temperature 85℃, humidity 85%, use matching power input,output no-load, work for 72H, the product can work normally. It is not allowed to have appearance defects such as enclosure melting.
高温高湿:温度85℃, 湿度85%, 使用配套电源输入、输出空载, 工作72H,产品通电可以正常工作不允许现外壳溶胶等外观不良。
 - High low temperature work: use matching power input,output with full load, temperature range at -10℃~40℃, keep at high temperature and low temperature each for 20min, total 36 cycles.
高低温工作:温度变化范围-10℃~40℃, 使用配套电源输入、输出满载, 高低温各保持20min, 共进行36个循环。
- Foreign object detection: under the condition use matching power input, the product will stop charging after the foreign object is placed in the wireless charging area
异物检测:使用配套电源输入,无线充充电区域放入异物后, 产品停止充电
- Limit charging distance(极限充电距离):
Coil surface to wireless charging surface 2mm Max; The shell thickness of the mobile device is 5mm Max, and the product can supply power normally
线圈表面至无线充表面2mm Max;移动设备外壳厚度5mm Max, 产品能正常供电
- Salt spray test: the sodium chloride solution with a concentration of 5% is automatically sprayed for 24 hours after the salt spray test, and the test is started after placed 4H at room temperature.After the test, clean it with clean water and let it dry naturally, there should be no corrosion, rust or other abnormal phenomena.
盐雾测试:5%浓度的氯化钠溶液,经盐雾试验自动喷雾24小时, 室温放置4H后开始检测。测试完成后使用清水清洗, 自然晾干无腐蚀, 生锈等异常现象
- Enclosure temperature rise: use matching power input, output with full load, ambient temperature of 25℃±3℃, non-enclosure temperature rise should be less than 50℃, metal enclosure temperature rise should be less than 30℃

- 外壳温升: 使用配套电源输入,输出带满载, 环境温度25℃±3℃, 外壳温升小于30℃
- Tilt test: place the wireless charging product on a plane with a horizontal tilt of 8°, and the mobile phone or other equipment charged on the wireless charging cannot slide down, but can still maintain the original position for charging.
倾斜测试: 将无线充产品放在一个水平倾斜8°的平面上, 在无线充上充电的手机或者其它设备不能滑落, 仍能保持原来的位置进行充电。
 - Electrical test project shall be implemented in accordance with 《L3TWC414-CS-R1》 product specification;
电气测试项目依照《L3TWC414-CS-R1 产品规格书》执行
 - Aging test(老化测试):
DC 9V input, full load aging, temperature 25℃, aging time 2H, according to the specification to determine the performance
直流9V输入,满载老化,在温度25℃,老化时间2H,依照规格书判定性能
 - DIMENSIONS MARKED SHALL BE CHECKED.
标有 ▽ 的尺寸必须重点检验
 - ALL APPLICABLE MATERIALS AND PROCESS CONTROL MUST BE IN COMPLIANCE WITH DOCUMENT QW-Q-043 -ROHS.
本产品所用物料及制程必须符合:QW-Q-043环境物质管理规定-ROHS。
Note: 2.2/2.3 and 3 environmental test requirements should keep in accordance with the reliability frequency requirements
注: 2.2/2.3及第三点环境测试要求依照信赖性频率要求测试

规格	项目	规格指标
DC输入特性	输入电压范围	5V, 9V
	输入电流	1.5A Max.
无线充输出特性	输出电压电流	5V=1A 9V=1.1A
	输出功率	10W Max.

X.± 0.3	X.°±0.3	Customer P/N: WIABLK100139814	LUXSHARE-TECH			
.X± 0.15	.X°±0.2					Customer REV.: *
.XX± 0.1	.XX°±0.1	TITLE: L3TWC414-CS-R1	SUPPLIER P/N: *			
.XXX± 0.05	.XXX°±0.05		LACC133无线充10W黑色(VN)(无包材)			
UNITS:	mm	APPD: XIONGWU LI	DWG NO: -			
THESE DRAWINGS AND SPECIFICATIONS ARE THE PROPERTY OF LUXSHARE-TECH AND SHALL NOT BE REPRODUCED, COPIED OR CUED IN ANY MANNER WITHOUT THE PRIOR WRITTEN CONSENT OF LUXSHARE-TECH		CHKD: SHUIPING ZHOU		SCALE	SHEET	REV.
		DRAW: XIN LIU		NONE	4/4	A1