

Marking 要求

1. 工艺: 丝印

字体: Arial, 字高: 1.3, 颜色: PMS 430C

2. 2: 1视图尺寸1.3

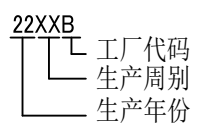


Model: WIABLK100008847  
 Input: DC 5V-12V,1.5A(Max.)  
 Output: 10W(Max.)  
 FCC ID: 2APXNLACC1161  
 MADE IN VIETNAM  
22XXB



此处镭雕

3. 镭雕

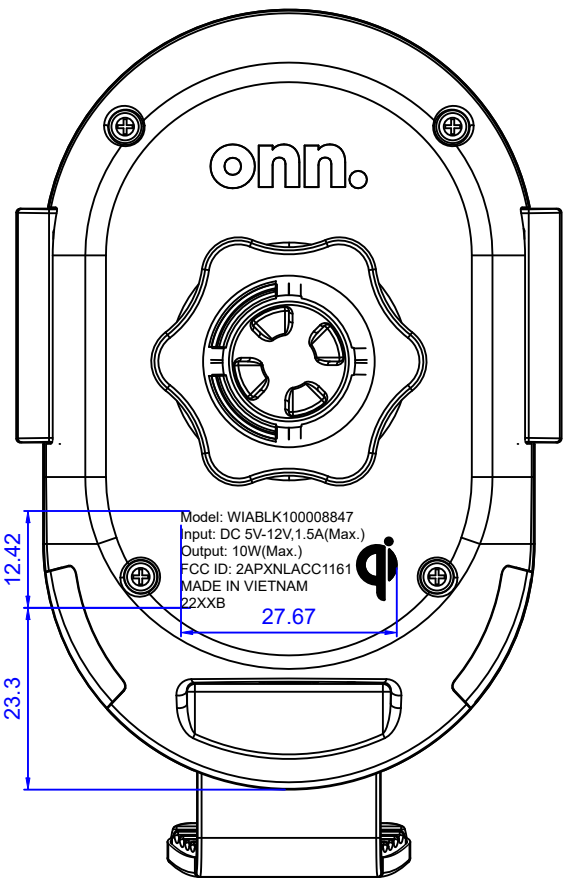


注: 周别按生产的周别变动而变动

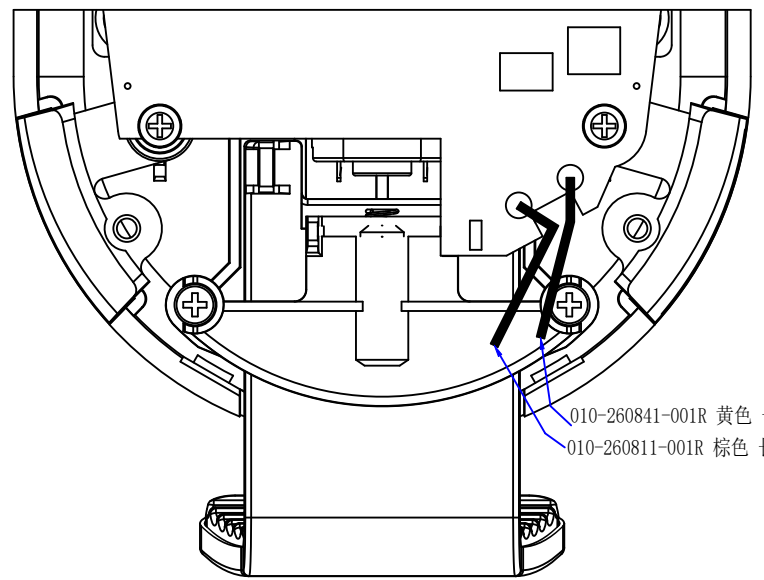
例: 2201B  
2202B  
2203B

以此类推

无线充, 彩盒, 车充QC镭雕一致



焊线示意图



- 线圈焊锡高度不允许超过2.5mm
- 其余焊锡高度不超过1.5mm

规格	项目	规格指标
DC输入特性	输入电压范围	5V-12V
	输入电流	1.5A (Max)
DC输出特性	输出电压电流	5V === 2A
	输出功率	10W (Max)

X.± 1	X.°±1
.X± 0.3	.X°±0.5
.XX± 0.20	.XX°±0.3
.XXX± 0.100	.XXX°±0.1
UNITS:	mm

THESE DRAWINGS AND SPECIFICATIONS ARE THE PROPERTY OF LUXSHARE-ICT AND SHALL NOT BE REPRODUCED, COPIED OR CUED IN ANY MANNER WITHOUT THE PRIOR WRITTEN CONSENT OF LUXSHARE-ICT

Customer P/N: WIABLK100008847
Customer REV.: D87
PART NO. L3TWC362-CS-R1
APPD: XIONGWU LI
CHKD: DUWEN XIAO
DRAW: XIN LIU

<b>LUXSHARE-ICT</b>		
TITLE:	10W车载无线充	
DWG NO:	L3TWC362-CS-R1	
	SCALE	SHEET
	1:1	2/4
	REV.	A1